



# OUTDOOR FIREPLACES





## SEAMLESS CONTEMPORARY STYLE, DESIGNED AND BUILT TO LIVE OUTDOORS.

### PALAZZO OUTDOOR GAS FIREPLACE

The Palazzo is a new kind of outdoor fireplace. This innovative fire feature resists the harshest elements with tough marine grade stainless steel. Advanced safety technologies are seamlessly integrated. The Palazzo Power Screen provides protection at the press of a button. Combined, these features create a contemporary focal point that will maintain its luster and add value to your home for years to come.

- The industry-first Power Screen ensures safety, moving up and down at the press of a button to protect and prevent debris from entering the fireplace
- Multicolored LED lights shine through the crushed glass firebed and can even be used when the fireplace is off
- Stainless steel interior reflects and magnifies flames
- Rust-resistant, marine grade stainless steel construction maintains its luster for years to come
- IntelliFire™ Ignition System with wall control constantly monitors ignition and ensures safe functioning
- No chimney or venting required, blending your fireplace effortlessly into your outdoor space
- 48" wide fireplace adds enjoyment to your space
- Available in a single-sided or see-through model



Wall control

#### LED Lighting



White



Aqua



Blue



Purple



Red



Yellow



Green



Palazzo shown with aqua LED lighting



Palazzo shown with green LED lighting



Palazzo See-Through shown with blue LED lighting

# GAS FIREPLACES



Lanai shown with clean face trim and red LED lighting

## LANAI OUTDOOR GAS FIREPLACE

Light up your landscape. The Lanai linear gas fireplace offers contemporary style. Feel confident enjoying the flames with proven technologies. The night comes alive with glowing flames and a colorful firebed.

- Multicolored LED lights shine through the crushed glass firebed and can even be used when the fireplace is off
- Stainless steel interior reflects and magnifies flames
- Rust-resistant stainless steel construction
- IntelliFire™ Ignition System with wall switch constantly monitors ignition and ensures safe functioning
- Glass wind guard keeps the flames full and lively
- 51" wide fireplace adds enjoyment to your space

### Optional feature

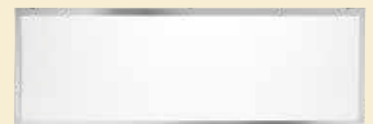
- Add a layer of safety with an optional screen to protect and prevent debris from entering the fireplace



Lanai shown with purple LED lighting and glass wind guard



Wall Control



Safety Screen

### LED Lighting



White



Aqua



Blue



Purple



Red



Yellow



Green



Above: Carolina shown with standard mesh  
Inset: Required gas access panel

## CAROLINA OUTDOOR GAS FIREPLACE

The Carolina's authentic look and impressive heat output makes this fireplace a great addition to your outdoor space. The FireBrick® interior gives this hearth a custom-built appearance, while offering the safety of a manufactured fireplace. This attractive unit is packed with advanced technology, like the IntelliFire™ Plus Ignition System. Extend your outdoor living with more heat and the best-looking interior. Bring the Carolina home.

- Patented FireBrick interior produces up to 25% more radiant heat to warm your space
- Stainless steel safety screen keeps debris out of the fireplace
- No chimney or venting required, blending your fireplace effortlessly into your outdoor space
- IntelliFire™ Plus ignition system (IPI Plus) with wall switch constantly monitors ignition and ensures safe function
- 36" or 42" wide fireplace adds enjoyment to your space

### Optional feature

- Cabinet screen doors

### Control Options

**IntelliFire Plus RC200'** Designed to wirelessly control your fireplace, the RC200 can be docked on a wall to mimic a thermostat, or used as a remote.

**Features:** Pilot activation, battery strength indicator, automatic battery backup, 5-step flame height, child lock, fan speed, on/off



**IntelliFire Plus RC100'** This switch activates the IntelliFire™ Plus Ignition System from a discrete wall mount.

**Features:** Battery strength indicator, automatic battery backup, on/off placement ensuring a great fire is just a tap of the switch away



1 Must be used under weather resistant cover

### Bronze Screen Doors





Dakota shown with decorative front

## DAKOTA OUTDOOR GAS FIREPLACE

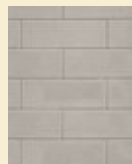
The Dakota skillfully blends style, function and utility with outdoor living. A rugged design with stainless steel styling makes the Dakota an appealing outdoor fireplace for years to come.

- Rust-resistant, 100% stainless steel construction
- Choose from traditional or herringbone brick interior for an authentic masonry look
- Stainless steel glass doors
- No chimney or venting required, blending your fireplace effortlessly into your outdoor space
- IntelliFire™ Ignition System with wall switch constantly monitors ignition and ensures safe functioning
- 42" wide fireplace adds enjoyment to your space



Dakota shown with decorative front

### Interior Styles



Traditional



Herringbone



Al Fresco shown with standard mesh firescreen

## AL FRESCO

### OUTDOOR GAS FIREPLACE

Add extra seasons to your outdoor living. Enjoy the warmth of the Al Fresco outdoor gas fireplace well after the sun goes down and temperatures fall. A durable stainless steel design and classic style makes the Al Fresco a natural extension of your space. Spend more time in the open air – the Al Fresco fits into tight corners, allowing you to make the most of your patio.

- Stainless steel grate and firescreen built to look great for years
- Weather-resistant gas burner and logs
- No chimney or venting required, blending your fireplace effortlessly into your outdoor space
- 36" or 42" wide fireplace adds enjoyment to your space



Weather-resistant gas burner and logs

# GAS FIREPLACES



Villa Gas shown with traditional brick interior and optional stainless steel operable doors

## VILLA GAS OUTDOOR GAS FIREPLACE

The Villa Gas is a versatile outdoor gas fireplace at a value price. This compact unit can easily be installed on decks or patios. A stainless steel surround thrives in the elements and complements an outdoor kitchen or space. Extend your living into the outdoors. Experience the Villa Gas fireplace.

- Choose from traditional or herringbone brick interior for an authentic masonry look
- Stainless steel safety screen keeps debris out of the fireplace
- No chimney or venting required, blending your fireplace effortlessly into your outdoor space
- Safety pilot ignition system automatically turns off gas supply if flame is extinguished
- 36" or 42" wide fireplace adds enjoyment to your space

### Optional feature

- Stainless steel operable mesh doors



Villa Gas shown with standard stainless steel safety screen and herringbone brick interior

### Interior Styles



Traditional



Herringbone

### Stainless Steel Operable Doors







Villawood shown with standard stainless steel mesh, traditional brick interior and outdoor Fireside Realwood gas logs

## VILLAWOOD OUTDOOR WOOD FIREPLACE

The Villawood is a wood-burning fireplace at home in a variety of outdoor spaces. Upgrade your outdoor kitchen, or enhance your living area with style and warmth. Add the Villawood outdoor fireplace to your deck or patio and enjoy the experience of a wood fire.

- Choose from traditional or herringbone brick interior for an authentic masonry look
- Steel grate and firescreen built to look great for years
- 36" or 42" wide fireplace adds enjoyment to your space

### Optional features

- Bi-fold glass doors with stainless steel finish
- Outdoor Fireside Realwood gas log set for the added convenience of gas



Villawood shown with standard stainless steel mesh, traditional brick interior and outdoor Fireside Realwood gas logs

### Interior Styles



Traditional



Herringbone

### Bi-Fold Glass Doors



# WOOD FIREPLACES



Montana shown with standard mesh firescreen and herringbone brick interior

## MONTANA OUTDOOR WOOD FIREPLACE

The Montana is the original outdoor fireplace that started it all. It's built to maintain its sleek stainless look for years and deliver solid performance. Enhance your outdoor area with this impressive focal point.

- Durable stainless steel construction tested to defy the elements
- Patented drain channels to minimize weather effects
- Choose from traditional or herringbone brick interior for an authentic masonry look
- Stainless steel grate and firescreen built to look great for years
- 36" or 42" wide fireplace adds enjoyment to your space

### Optional features

- Bi-fold glass doors
- Outdoor Fireside Realwood gas log set for the added convenience of gas



Montana shown with standard mesh firescreen, traditional brick interior and optional bi-fold glass doors

### Interior Styles



Traditional



Herringbone



Castlewood shown with glass doors, standard stainless steel mesh, traditional molded brick interior and outdoor Fireside Grand Oak gas log set

## CASTLEWOOD OUTDOOR WOOD FIREPLACE

The Castlewood turns any outdoor area into a welcoming and relaxing living space. A large, high opening provides a dramatic view from across the yard, and a textured brick interior offers masonry-style looks at a fraction of the cost. Enjoy the experience of a large wood fire with the Castlewood.

- Expansive 38" high firebox opening
- Choose from traditional or herringbone brick interior for an authentic masonry look
- Stainless steel grate and firescreen built to look great for years
- 42" wide fireplace adds enjoyment to your space

### Optional features

- Premium bi-fold glass doors with a bronze finish
- Outdoor Fireside Grand Oak log set for the added convenience of gas



Castlewood shown above with standard stainless steel mesh, traditional molded brick interior and outdoor Fireside Grand Oak gas log set

### Interior Styles



Traditional



Herringbone

### Bronze Bi-Fold Glass Doors





Longmire shown with stainless steel front and closed glass door

## LONGMIRE

### OUTDOOR LINEAR WOOD FIREPLACE

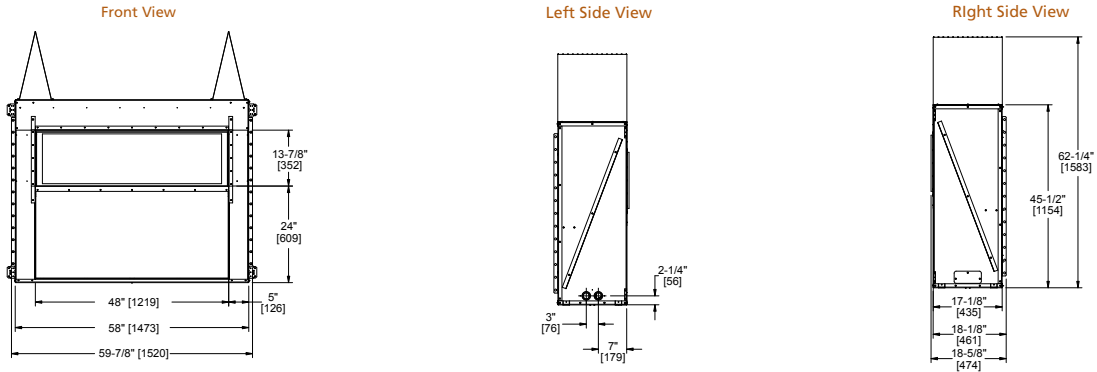
---

The Longmire offers fireplace sights, sounds and smells you love in a linear shape. Sleek hideaway glass and screen doors reveal a roaring fire, drawing family and friends together.

- Durable stainless steel construction tested to defy the elements
- Slide the glass and screen doors up and out of sight using a removable handle
- Routine maintenance is simple with a drawbridge grate and hinged glass door
- Burn up to 30" logs for more ambiance
- 42" wide fireplace adds enjoyment to your space

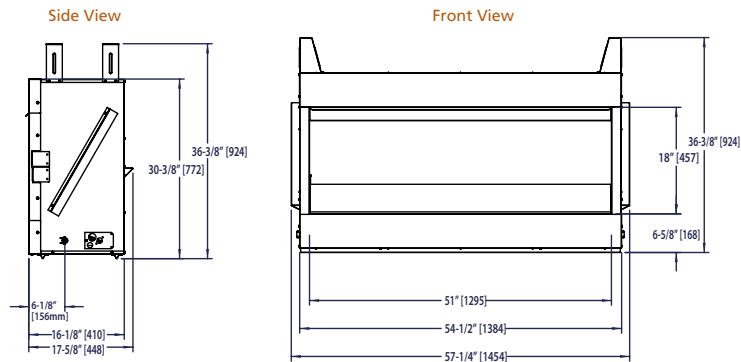
## PALAZZO

| Model               | Front Width    |            | Back Width     |            | Height         |                | Depth         |               | Viewing Area               | BTU/hr Input |
|---------------------|----------------|------------|----------------|------------|----------------|----------------|---------------|---------------|----------------------------|--------------|
|                     | Unit           | Framing    | Unit           | Framing    | Unit           | Framing        | Unit          | Framing       |                            |              |
| Palazzo             | 59-7/8" [1520] | 60" [1524] | 59-7/8" [1520] | 60" [1524] | 45-1/2" [1154] | 62-3/8" [1584] | 18-5/8" [474] | 18-1/8" [459] | 48" x 13-7/8" [1219 x 352] | 43,000       |
| Palazzo See-Through | 59-7/8" [1520] | 60" [1524] | 59-7/8" [1520] | 60" [1524] | 45-1/2" [1154] | 62-3/8" [1584] | 18-1/4" [463] | 17" [431]     | 48" x 13-7/8" [1219 x 352] | 43,000       |



## LANAI

| Model | Front Width    |                | Back Width     |                | Height        |                | Depth         |               | Viewing Area           | BTU/hr Input |
|-------|----------------|----------------|----------------|----------------|---------------|----------------|---------------|---------------|------------------------|--------------|
|       | Unit           | Framing        | Unit           | Framing        | Unit          | Framing        | Unit          | Framing       |                        |              |
| Lanai | 57-1/4" [1454] | 57-3/4" [1467] | 57-1/4" [1454] | 57-3/4" [1467] | 36-3/8" [924] | 39-1/2" [1003] | 17-5/8" [448] | 17-5/8" [448] | 51" x 18" [1295 x 457] | 55,000       |

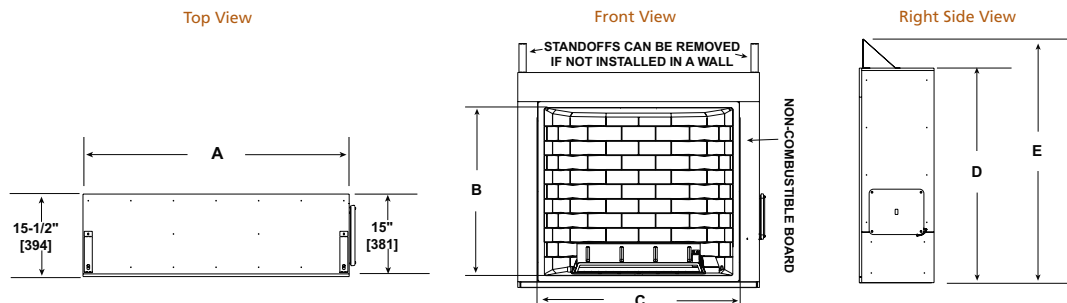


## CAROLINA

| Model       | Front Width |            | Back Width |            | Height         |                | Depth     |           | Viewing Area                  | BTU/hr Input             |
|-------------|-------------|------------|------------|------------|----------------|----------------|-----------|-----------|-------------------------------|--------------------------|
|             | Unit        | Framing    | Unit       | Framing    | Unit           | Framing        | Unit      | Framing   |                               |                          |
| Carolina-36 | 44" [1118]  | 48" [1219] | 44" [1118] | 48" [1219] | 42-1/2" [1080] | 42-1/2" [1080] | 17" [432] | 17" [432] | 33-3/8" x 28-7/8" [848 x 733] | 55,000 (NG), 50,000 (LP) |
| Carolina-42 | 50" [1270]  | 54" [1372] | 50" [1270] | 54" [1372] | 50-1/2" [1283] | 50-1/2" [1283] | 17" [432] | 17" [432] | 39-1/8" x 33-3/4" [994 x 857] | 65,000 (NG), 62,000 (LP) |

| MODEL | Carolina-36"  | Carolina-42"  |
|-------|---------------|---------------|
| A     | 44 [1118]     | 50 [1270]     |
| B     | 28-7/8 [733]  | 34-3/4 [883]  |
| C     | 33-3/8 [848]  | 39-1/8 [994]  |
| D     | 36-1/2 [927]  | 44-1/2 [1130] |
| E     | 42-1/2 [1080] | 50-1/2 [1283] |

Drawings at right represent the 36" and 42" combined. Non-combustible material is included in dimensions of product.

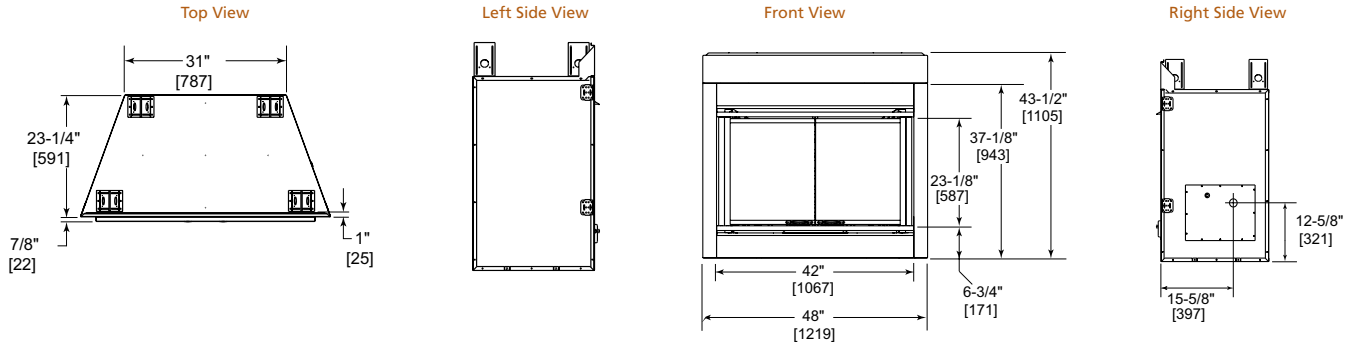


► The Carolina is approved as a standalone unit or can be built into an outside wall. It may be installed in screened porches and lanais that meet these minimum requirements: Minimum porch area - 96 sq ft, Minimum ceiling ht. - 82 inches, A minimum of two walls can be screened but must be open to outside ventilation. Minimum requirements are: Minimum screen area - 64 sq ft, Minimum screen top height - 80 inches. If installed within a wall, you must: Provide access to the gas controls, slope outdoor floor (and hearth) away from fireplace. Flash the perimeter of the fireplace, corners and the fireplace face in a manner consistent with regional practices as required to prevent water penetration around the fireplace or manage water that may penetrate the fireplace.

# FIREPLACE SPECIFICATIONS

## DAKOTA

| Model  | Front Width   |               | Back Width   |               | Height            |                   | Depth            |                  | Viewing Area                        | BTU/hr Input             |
|--------|---------------|---------------|--------------|---------------|-------------------|-------------------|------------------|------------------|-------------------------------------|--------------------------|
|        | Unit          | Framing       | Unit         | Framing       | Unit              | Framing           | Unit             | Framing          |                                     |                          |
| Dakota | 48"<br>[1219] | 49"<br>[1245] | 31"<br>[787] | 49"<br>[1246] | 43-1/2"<br>[1105] | 43-7/8"<br>[1114] | 23-1/4"<br>[591] | 24-1/8"<br>[613] | 42-1/2" x 26-13/16"<br>[1080 x 681] | 60,000 (NG), 53,000 (LP) |

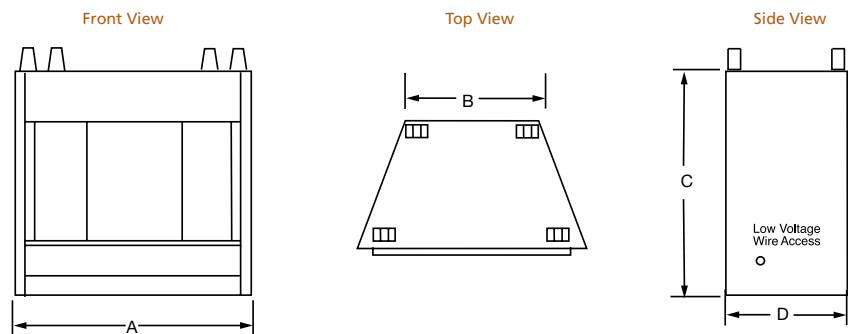


## AL FRESCO

| Model        | Front Width   |               | Back Width       |               | Height            |                   | Depth        |                   | Viewing Size              | BTU/Hour Input |
|--------------|---------------|---------------|------------------|---------------|-------------------|-------------------|--------------|-------------------|---------------------------|----------------|
|              | Unit          | Framing       | Unit             | Framing       | Unit              | Framing           | Unit         | Framing           |                           |                |
| Al Fresco-36 | 40"<br>[1016] | 41"<br>[1041] | 22"<br>[559]     | 41"<br>[1454] | 39-5/8"<br>[1007] | 43-3/4"<br>[1111] | 22"<br>[559] | 22-1/28"<br>[572] | 36" x 24"<br>[905 x 546]  | 60,000 (NG/LP) |
| Al Fresco-42 | 46"<br>[1168] | 47"<br>[1194] | 26-1/4"<br>[667] | 47"<br>[1194] | 39-5/8"<br>[1007] | 43-3/4"<br>[1111] | 22"<br>[410] | 22-1/2"<br>[448]  | 42" x 24"<br>[1067 x 609] | 60,000 (NG/LP) |

Drawings to the right represent the 36" and 42" combined.

| MODEL | Al Fresco-36      | Al Fresco-42      |
|-------|-------------------|-------------------|
| A     | 40"<br>[1016]     | 46"<br>[1168]     |
| B     | 22"<br>[559]      | 26-1/4"<br>[667]  |
| C     | 39-5/8"<br>[1007] | 39-5/8"<br>[1007] |
| D     | 22"<br>[559]      | 22"<br>[559]      |

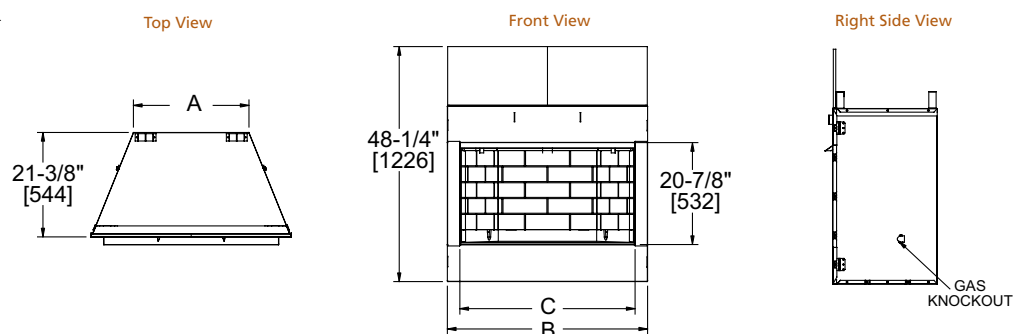


## VILLA GAS

| Model         | Front Width   |               | Back Width       |               | Height            |                   | Depth            |                  | Viewing Area                  | BTU/hr Input             |
|---------------|---------------|---------------|------------------|---------------|-------------------|-------------------|------------------|------------------|-------------------------------|--------------------------|
|               | Unit          | Framing       | Unit             | Framing       | Unit              | Framing           | Unit             | Framing          |                               |                          |
| Villa Gas 36" | 41"<br>[1041] | 42"<br>[1067] | 23-3/4"<br>[603] | 42"<br>[1067] | 39-1/2"<br>[1003] | 39-3/4"<br>[1010] | 21-3/8"<br>[544] | 21-1/2"<br>[546] | 36" x 20-7/8"<br>[914 x 532]  | 40,000 (NG), 40,000 (LP) |
| Villa Gas 42" | 47"<br>[1194] | 48"<br>[1219] | 29-3/4"<br>[756] | 48"<br>[1219] | 39-1/2"<br>[1003] | 39-3/4"<br>[1010] | 21-3/8"<br>[544] | 21-1/2"<br>[546] | 42" x 20-7/8"<br>[1067 x 532] | 42,000 (NG), 42,000 (LP) |

Drawings to the right represent the 36" and 42" combined.

| MODEL | Villa Gas 36"     | Villa Gas 42"     |
|-------|-------------------|-------------------|
| A     | 23-3/4"<br>[603]  | 29-3/4"<br>[756]  |
| B     | 41-1/8"<br>[1045] | 47-1/8"<br>[1197] |
| C     | 36"<br>[914]      | 42"<br>[1067]     |

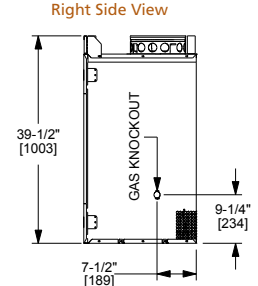
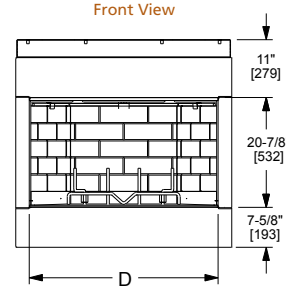
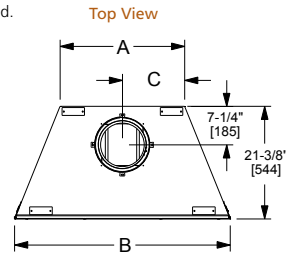


## VILLAWOOD

| Model         | Front Width   |               | Back Width       |               | Height            |                   | Depth            |                  | Viewing Area                  |
|---------------|---------------|---------------|------------------|---------------|-------------------|-------------------|------------------|------------------|-------------------------------|
|               | Unit          | Framing       | Unit             | Framing       | Unit              | Framing           | Unit             | Framing          |                               |
| Villawood-36" | 41"<br>[1041] | 42"<br>[1067] | 23-3/4"<br>[603] | 42"<br>[1067] | 39-1/2"<br>[1003] | 39-3/4"<br>[1010] | 21-3/8"<br>[544] | 21-1/2"<br>[546] | 36" x 20-7/8"<br>[914 x 532]  |
| Villawood-42" | 47"<br>[1194] | 48"<br>[1219] | 29-3/4"<br>[756] | 48"<br>[1219] | 39-1/2"<br>[1003] | 39-3/4"<br>[1010] | 21-3/8"<br>[544] | 21-1/2"<br>[546] | 42" x 20-7/8"<br>[1067 x 532] |

Drawings to the right represent the 36" and 42" combined.

| MODEL | Villawood-36"    | Villawood-42"    |
|-------|------------------|------------------|
| A     | 23-3/4"<br>[603] | 29-3/4"<br>[756] |
| B     | 41"<br>[1041]    | 47"<br>[1194]    |
| C     | 11-7/8"<br>[302] | 14-7/8"<br>[378] |
| D     | 36"<br>[914]     | 42"<br>[1067]    |

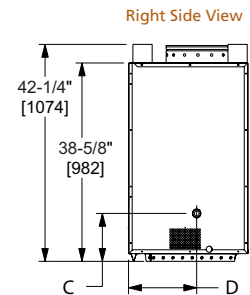
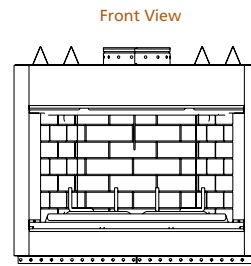
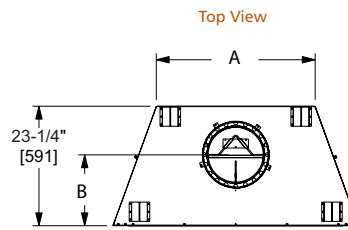


## MONTANA

| Model       | Front Width   |               | Back Width   |               | Height            |                   | Depth            |                  | Viewing Area               |
|-------------|---------------|---------------|--------------|---------------|-------------------|-------------------|------------------|------------------|----------------------------|
|             | Unit          | Framing       | Unit         | Framing       | Unit              | Framing           | Unit             | Framing          |                            |
| Montana-36" | 42"<br>[1067] | 43"<br>[1091] | 25"<br>[635] | 43"<br>[1091] | 42-1/4"<br>[1073] | 42-3/8"<br>[1076] | 23-1/4"<br>[591] | 24-1/8"<br>[613] | 36" x 23-1/2" [915 x 597]  |
| Montana-42" | 48"<br>[1219] | 49"<br>[1246] | 31"<br>[787] | 49"<br>[1246] | 42-1/4"<br>[1073] | 42-3/8"<br>[1076] | 23-1/4"<br>[591] | 24-1/8"<br>[613] | 42" x 23-1/2" [1067 x 597] |

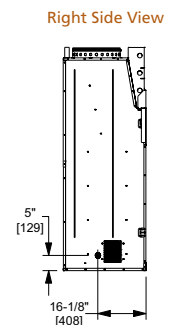
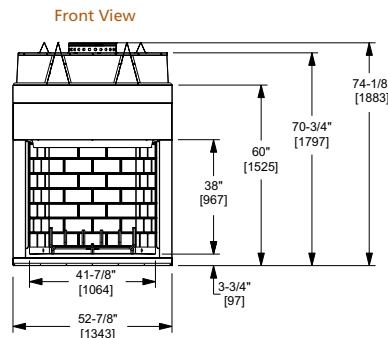
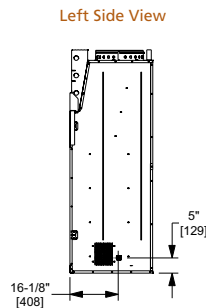
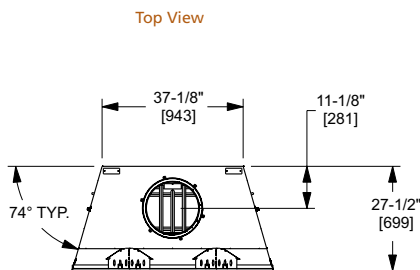
Drawings to the right represent the 36" and 42" combined.

| MODEL | Montana-36"      | Montana-42"     |
|-------|------------------|-----------------|
| A     | 25"<br>[786]     | 31"<br>[786]    |
| B     | 13-7/8"<br>[352] | 14"<br>[356]    |
| C     | 9-1/2"<br>[241]  | 9-1/2"<br>[241] |
| D     | 13-1/4"<br>[337] | 14"<br>[356]    |



## CASTLEWOOD

| Model          | Front Width       |                   | Back Width       |                   | Height            |                   | Depth            |                  | Viewing Area                  |
|----------------|-------------------|-------------------|------------------|-------------------|-------------------|-------------------|------------------|------------------|-------------------------------|
|                | Unit              | Framing           | Unit             | Framing           | Unit              | Framing           | Unit             | Framing          |                               |
| Castlewood-42" | 52-7/8"<br>[1343] | 53-7/8"<br>[1368] | 37-1/8"<br>[943] | 40-1/8"<br>[1019] | 74-1/8"<br>[1883] | 74-1/2"<br>[1892] | 27-1/2"<br>[699] | 28-1/2"<br>[724] | 41-7/8" x 38"<br>[1063 x 965] |



Dimensions are in inches and millimeters. Product information is not complete and is subject to change without notice. Product installation must adhere strictly to instructions shipped with product. We recommend measuring individual units at installation. NOTE: Combustible material should not cover the face. Refer to installation manual for detailed specifications on installing this product. Hearth & Home Technologies reserves the right to update units periodically. The flame and glass media appearance may vary based on the type of fuel burned. Actual product appearance, including flame, may differ from product images.

# FIREPLACE SPECIFICATIONS

## LONGMIRE

| Model   | Front Width | Back Width | Height         | Depth     | Viewing Area        |
|---------|-------------|------------|----------------|-----------|---------------------|
| LM42-SS | 65" [1651]  | 65" [1651] | 59-3/4" [1518] | 24" [610] | 38-1/8" x 16" [968] |

Left Side

Right Side

Front

Top

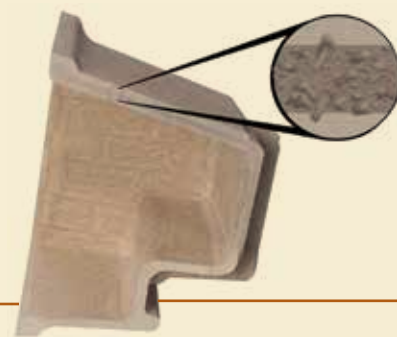
## TECHNOLOGIES

### INTELLIFIRE AND INTELLIFIRE PLUS IGNITION SYSTEMS

IntelliFire™ systems constantly monitor ignition, ensure safe functioning. The IntelliFire Plus Ignition System (IPI Plus) is an advanced intermittent pilot ignition system. To learn more about IntelliFire technology visit [fireplaces.com](http://fireplaces.com).

### FIREBRICK TECHNOLOGY

FireBrick is a patented, ceramic material molded into an authentic masonry design. FireBrick produces up to 25% more radiant heat than metal fireboxes. To learn more about FireBrick technology visit [fireplaces.com](http://fireplaces.com).



For complete information and valuable assistance on these products, contact us at:

**outdoor  
lifestyles**  
by hearth & home technologies®

800-927-6841  
[fireplaces.com](http://fireplaces.com)

#### Limited Warranty\*\*

Hearth & Home Technologies guarantees protection for all products in this brochure for a period of one year from the date of purchase.

The information provided in this literature is for planning purposes only and subject to change. The flame and ember appearance may vary based on the type of fuel burned and venting configuration used. Actual product appearance, including flame, may differ from product images. \*Please consult the MSRP book for a complete list of optional accessories.

\*\*For full warranty details, see appropriate installation manual.

©2009-2014 Hearth & Home Technologies.



HHT-1032U-0317