

**INSTALLER: LEAVE THIS MANUAL WITH THE APPLIANCE.**  
**CONSUMER: RETAIN THIS MANUAL FOR FUTURE REFERENCE.**  
**NEVER LEAVE CHILDREN OR OTHER AT RISK INDIVIDUALS ALONE WITH THE APPLIANCE.**



# INSTALLATION AND OPERATING INSTRUCTIONS

EN

FR  
PG  
25

CERTIFIED UNDER CANADIAN AND AMERICAN NATIONAL STANDARDS, Z21.97-2012 - CSA 2.41-2012.

## OUTDOOR GAS FIREPLACE

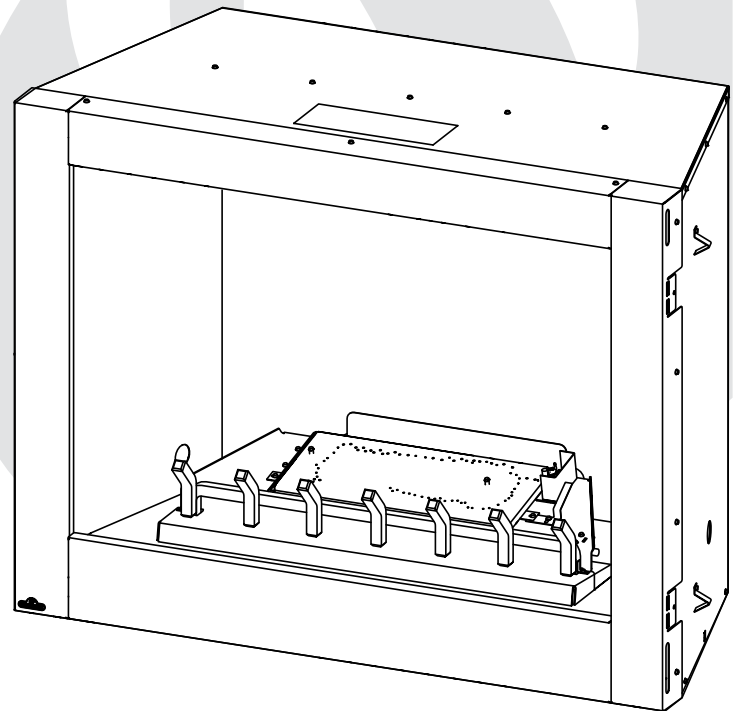
CERTIFIED FOR CANADA AND UNITED STATES USING ANSI/CSA METHODS.

## GSS42CFN

NATURAL GAS MODEL

## GSS42CFP

PROPANE GAS MODEL



**Decorative Product: Not for use as heating appliance.**

**WARNING: FOR OUTDOOR USE ONLY**



### SAFETY INFORMATION

#### **! WARNING**

If the information in these instructions are not followed exactly, a fire or explosion may result causing property damage, personal injury or loss of life. Read the installation, operating, and maintenance instructions thoroughly before installing or servicing this equipment.

- Do not store or use gasoline or other flammable vapors and liquids in the vicinity of this or any other appliance.
- An LP-cylinder not connected for use shall not be stored in the vicinity of this or any other appliance.

#### **! DANGER**

- IF YOU SMELL GAS:
  1. Do not try to light any appliance.
  2. Shut off gas to the appliance.
  3. Extinguish any open flame.
  4. If odor continues, keep away from the appliance and immediately call your gas supplier or fire department.
- Installation and service must be performed by a qualified installer, service agency or the supplier.

This appliance is only for use with the type of gas indicated on the rating plate. This appliance is not convertible for use with other gases, unless a certified kit is used.

#### **! DANGER**

#### CARBON MONOXIDE HAZARD

This appliance can produce carbon monoxide which has no odor.



Using it in an enclosed space can kill you.

Never use this appliance in an enclosed space such as a camper, tent, car or home.



Wolf Steel Ltd., 24 Napoleon Rd., Barrie, ON, L4M 0G8 Canada /  
 103 Miller Drive, Crittenden, Kentucky, USA, 41030

Phone (705)721-1212 • Fax (705)720-9081 • [www.napoleonfireplaces.com](http://www.napoleonfireplaces.com) • [hearth@napoleonproducts.com](mailto:hearth@napoleonproducts.com)

# TABLE OF CONTENTS

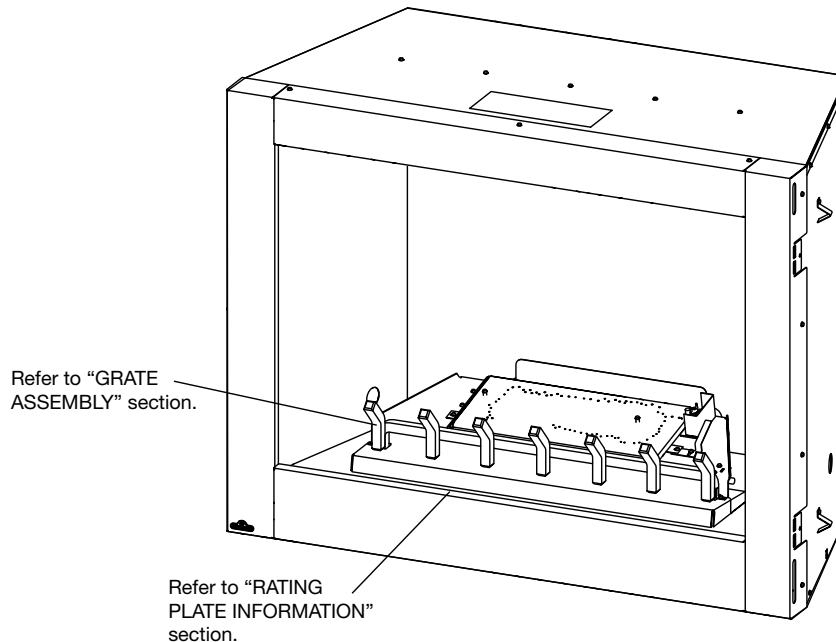


**NOTE:** The camera icon indicates video tutorials are available as additional reference, visit <http://mynapoleon.napoleonproducts.com/download/index/44/1>

<b>1.0</b>	<b>INSTALLATION OVERVIEW</b>	<b>2</b>
<b>2.0</b>	<b>INTRODUCTION</b>	<b>3</b>
2.1	DIMENSIONS	4
2.2	GENERAL INSTRUCTIONS	4
2.3	GENERAL INFORMATION	5
2.4	RATING PLATE INFORMATION	5
<b>3.0</b>	<b>INSTALLATION</b>	<b>6</b>
3.1	GAS INSTALLATION	6
3.2	GAS INLET LOCATIONS	7
3.3	OPTIONAL WALL SWITCH INSTALLATION	7
3.4	COMBUSTION AND VENTILATION AIR	8
<b>4.0</b>	<b>FRAMING</b>	<b>8</b>
4.1	CLEARANCE TO COMBUSTIBLES	8
4.2	MINIMUM ENCLOSURE CLEARANCES	10
4.3	MINIMUM MANTEL CLEARANCES	11
4.4	NAILING TAB	11
<b>5.0</b>	<b>FINISHING</b>	<b>12</b>
5.1	LOG PLACEMENT	12
5.2	GLOWING EMBERS (OPTIONAL)	13
5.3	CHARCOAL LUMPS/LAVA ROCK	13
5.4	LOGO PLACEMENT	14
<b>6.0</b>	<b>OPTIONAL REMOTE INSTALLATION</b>	<b>14</b>
<b>7.0</b>	<b>OPERATION</b>	<b>15</b>
<b>8.0</b>	<b>ADJUSTMENT</b>	<b>16</b>
8.1	VENTURI ADJUSTMENT	16
8.2	FLAME CHARACTERISTICS	16
<b>9.0</b>	<b>MAINTENANCE</b>	<b>17</b>
<b>10.0</b>	<b>REPLACEMENTS</b>	<b>18</b>
10.1	OVERVIEW AND VALVE TRAIN ASSEMBLY	19
<b>11.0</b>	<b>ACCESSORIES</b>	<b>20</b>
<b>12.0</b>	<b>TROUBLESHOOTING</b>	<b>21</b>
<b>13.0</b>	<b>WARRANTY</b>	<b>23</b>

**NOTE:** Changes, other than editorial, are denoted by a vertical line in the margin.

## 1.0 INSTALLATION OVERVIEW



Batteries must be disposed of according to the local laws and regulations. Some batteries may be recycled, and may be accepted for disposal at your local recycling center. Check with your municipality for recycling instructions.

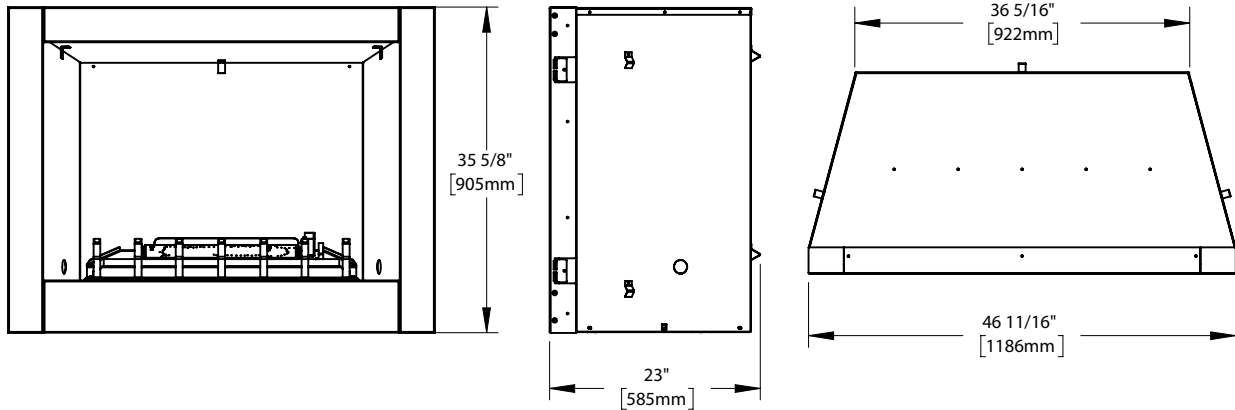
## 2.0 INTRODUCTION

### WARNING

- **THIS APPLIANCE IS HOT WHEN OPERATED AND CAN CAUSE SEVERE BURNS IF CONTACTED.**
- Do not operate appliance before reading and understanding operating instructions. Failure to operate appliance according to operating instructions could cause fire or injury.
- Any changes to this appliance or its controls can be dangerous and is prohibited.
- Risk of burns. The appliance should be turned off and cooled before servicing.
- Do not install damaged, incomplete or substitute components.
- Risk of cuts and abrasions. Wear protective gloves and safety glasses during installation. Sheet metal edges may be sharp.
- Do not burn wood or other materials in this appliance.
- Provide adequate ventilation and combustion air. Provide adequate accessibility clearance for servicing and operating the appliance. Never obstruct the front opening of the appliance.
- If appliance keeps shutting off, have it serviced. Keep burner and control compartment clean.
- Do not allow wind to blow directly into the appliance. Avoid any drafts that alter burner flame patterns.
- Children and adults should be alerted to the hazards of high surface temperature and should stay away to avoid burns or clothing ignition.
- Young children should be carefully supervised when they are in the same area as the appliance. Toddlers, young children and others may be susceptible to accidental contact burns. A physical barrier is recommended if there are at risk individuals in the vicinity of the appliance. To restrict access to an appliance, install an adjustable safety gate to keep toddlers, young children and other at risk individuals away from hot surfaces.
- Clothing or other flammable material should not be placed on or near the appliance.
- Furniture or other objects must be kept a minimum of 4 feet away from the front of the appliance.
- Ensure you have incorporated adequate safety measures to protect infants/toddlers from touching hot surfaces.
- Even after the appliance is off, it will remain hot for an extended period of time.
- Check with your local hearth specialty dealer for safety screens and hearth guards to protect children from hot surfaces. These screens and guards must be fastened to the floor.
- Any safety screen or guard removed for servicing must be replaced prior to operating the appliance.
- It is imperative that the control compartments, burners and circulating blower and its passageway in the appliance and venting system are kept clean. The appliance should be inspected before use and at least annually by a qualified service person. The appliance area must be kept clear and free from combustible materials, gasoline and other flammable vapors and liquids.
- Under no circumstances should this appliance be modified.
- Do not use this appliance if any part has been under water. Immediately call a qualified service technician to inspect the appliance and to replace any part of the control system and any gas control which has been under water.
- Keep the packaging material out of reach of children and dispose of the material in a safe manner. As with all plastic bags, these are not toys and should be kept away from children and infants.
- This appliance must not be installed indoors or within any structure that prevents or inhibits the exhaust gases from dissipating in the outside atmosphere.

3.14C

## 2.1 DIMENSIONS



## 2.2 GENERAL INSTRUCTIONS

<b>! WARNING</b>
<b>NEVER OBSTRUCT THE FRONT OPENING OF THE APPLIANCE.</b>
<b>OBJECTS PLACED IN FRONT OF THE APPLIANCE MUST BE KEPT A MINIMUM OF 48" (1219.2mm) FROM THE FRONT FACE OF THE APPLIANCE.</b>
<b>FIRE RISK. EXPLOSION HAZARD.</b>
<b>HIGH PRESSURE WILL DAMAGE VALVE. DISCONNECT GAS SUPPLY PIPING BEFORE PRESSURE TESTING GAS LINE AT TEST PRESSURES ABOVE 1/2 PSIG. CLOSE THE MANUAL SHUT-OFF VALVE BEFORE PRESSURE TESTING GAS LINE AT TEST PRESSURES EQUAL TO OR LESS THAN 1/2 PSIG (35mb).</b>
<b>USE ONLY WOLF STEEL APPROVED OPTIONAL ACCESSORIES AND REPLACEMENT PARTS WITH THIS APPLIANCE. USING NON-LISTED ACCESSORIES (BLOWERS, DOORS, LOUVRES, TRIMS, GAS COMPONENTS, VENTING COMPONENTS, ETC.) COULD RESULT IN A SAFETY HAZARD AND WILL VOID THE WARRANTY AND CERTIFICATION.</b>

**THIS GAS APPLIANCE SHOULD BE INSTALLED AND SERVICED BY A QUALIFIED INSTALLER** to conform with local codes. Installation practices vary from region to region and it is important to know the specifics that apply to your area, for example in Massachusetts State:

- The appliance off valve must be a "T" handle gas cock.
- The flexible connector must not be longer than 36" (91.4cm).

The installation must conform with local codes or, in absence of local codes, the National Gas and Propane Installation Code CSA B149.1 in Canada, or the National Fuel Gas Code, ANSI Z223.1 / NFPA 54 in the United States.



We suggest that our gas hearth products be installed and serviced by professionals who are certified in the U.S. by the National Fireplace Institute® (NFI) as NFI Gas Specialists

The appliance and its individual shutoff valve must be disconnected from the gas supply piping system during any pressure testing of that system at test pressures in excess of 1/2 psig (3.5 kPa). The appliance must be isolated from the gas supply piping system by closing its individual manual shutoff valve during any pressure testing of the gas supply piping system at test pressures equal to or less than 1/2 psig (3.5 kPa).

When the appliance is installed directly on combustible material other than wood flooring, the appliance shall be installed on a metal or wood panel extending the full width and depth.

Solid fuels shall not be burned in this appliance.

**2.3 GENERAL INFORMATION**

**FOR YOUR SATISFACTION, THIS APPLIANCE HAS BEEN TEST-FIRED TO ASSURE ITS OPERATION AND QUALITY!**

RATES AND EFFICIENCIES		
	NG	P
Altitude (FT)	0-2,000 *	0-2,000
Max. Input (BTU/HR)	65,000	65,000
Min. Inlet Gas Supply Pressure	4.5" (11mb) w.c.	11" (27mb) w.c.
Max. Inlet Gas Supply Pressure	13" (32mb) w.c.	13" (32mb) w.c.
Manifold Pressure (Under Flow Conditions)	3.5" (9mb) w.c.	10" (25mb) w.c.

\* When the appliance is installed at elevations above 2,000ft and, in the absence of specific recommendations from the local authority having jurisdiction, the certified high altitude input rating shall be reduced at the rate of 4% for each additional 1,000ft.

It is highly recommended to protect the logs from moisture (rain, snow). Cover the enclosure opening when not in use.

This appliance is only for use with the type of gas indicated on the rating plate. This appliance is not convertible for use with other gases, unless a certified kit is used.

**No external electricity (110 volts or 24 volts) is required for the millivolt operating system.**

**Expansion / contraction noises during heating up and cooling down cycles are normal and are to be expected.**

**2.4 RATING PLATE INFORMATION**

CERTIFIED UNDER / HOMOLOGUÉ SELON LES NORMES: ANSI Z21.97-2012 - CSA 2.41-2012. OUTDOOR GAS FIREPLACE / FOYER AU GAZ EXTÉRIEUR.

**CAUTION :** THE GAS PRESSURE REGULATOR PROVIDED WITH THIS APPLIANCE MUST BE USED. THIS REGULATOR IS SET FOR AN OUTLET PRESSURE OF 3.4 INCHES WATER COLUMN FOR NG AND 10 INCHES WATER COLUMN FOR LP. THE GAS SUPPLY MUST BE TURNED OFF AT THE LP-GAS SUPPLY CYLINDER WHEN THIS APPLIANCE IS NOT IN USE. DO NOT STORE OR USE GASOLINE OR OTHER FLAMMABLE VAPOURS AND LIQUIDS IN THE VICINITY OF THIS OR ANY OTHER APPLIANCE. DO NOT CONNECT TO A REMOTE GAS SUPPLY. IMPROPER INSTALLATION, ADJUSTMENT, ALTERATION, SERVICE OR MAINTENANCE CAN CAUSE INJURY OR PROPERTY DAMAGE. REFER TO THE OWNER'S MANUAL PROVIDED WITH THIS APPLIANCE. FOR ASSISTANCE OR ADDITIONAL INFORMATION, CONSULT A QUALIFIED INSTALLER, SERVICE AGENCY OR GAS SUPPLIER. MUST NOT BE USED FOR COOKING. FOR OUTDOOR USE ONLY. IF STORED INDOORS, DETACH AND LEAVE CYLINDER OUTDOORS.

**ATTENTION :** LE RÉGULATEUR DE PRESSION DE GAZ FOURNI AVEC CET APPAREIL DOIT ÊTRE UTILISÉ. CE RÉGULATEUR EST RÉGLÉ POUR UNE PRESSION DE SORTIE DE 3,4 POUCES D'UNE COLONNE D'EAU POUR NG ET 10 POUCES D'UNE COLONNE D'EAU. LORSQUE CET APPAREIL N'EST PAS UTILISÉ, VOUS DEVEZ FERMER L'ALIMENTATION EN GAZ SUR LA BONBONNE DE PROPANE. N'ENTREPOSEZ PAS ET N'UTILISEZ PAS D'ESSENCE OU AUTRES LIQUIDES ET VAPEURS INFLAMMABLES À PROXIMITÉ DE CET APPAREIL OU TOUT AUTRE APPAREIL. NE CONNECTEZ PAS À UNE FOURNITURE DE GAZ À DISTANCE. UNE INSTALLATION NON CONFORME, DES AJUSTEMENTS, DES ALTERATIONS, UN SERVICE OU UN ENTRETIEN INADÉQUATS PEUVENT CAUSER DES DOMMAGES À LA PROPRIÉTÉ OU DES BLESSURES CORPORELLES. RÉFÉREZ-VOUS AU MANUEL D'INSTRUCTIONS FOURNI AVEC CET APPAREIL POUR DE L'ASSISTANCE OU POUR PLUS D'INFORMATION, CONSULTEZ UN INSTALLATEUR QUALIFIÉ. UNE ABSENCE D'ENTRETIEN OU LE FOURNISSEUR DE GAZ. NE PAS UTILISER POUR LA CUISSON. POUR USAGE EXTÉRIEUR SEULEMENT. SI ENTREPOSÉ À L'INTÉRIEUR, DÉTACHER LA BONBONNE DE PROPANE ET LA LAISSER À L'EXTÉRIEUR.



**9700539 (WSL)**  **4001658 (NAC)**

**GSS42CFN**  **MODEL**  **4001657 (NGZ)**  **4001659 (WUSA)**

0-4500FT (0-1370m) ALTITUDE / ÉLEVATION 0-4500FT (0-1370m)  
 65,000 BTU/h INPUT / ALIMENTATION 65,000 BTU/h  
 40,000 BTU/h REDUCED INPUT / ALIMENTATION RÉDUITE 50,000 BTU/h

**DANGER** CARBON MONOXIDE HAZARD  
 This appliance can produce carbon monoxide which has no odor.  
 Using it in an enclosed space can kill you.  
 Never use this appliance in an enclosed space such as a camp, tent, car or home.

**DANGER** MONOXYDE DE CARBONE  
 Cet appareil peut produire du monoxyde de carbone, un gaz inodore.  
 L'utilisation de cet appareil dans des espaces clos peut entraîner la mort.  
 Ne jamais utiliser cet appareil dans un espace clos, comme un véhicule de camping, une tente, une automobile ou une maison.

MANIFOLD PRESSURE: 3.5" WATER COLUMN  
 PRESSION AU COLLECTEUR: 3.5" D'UNE COLONNE D'EAU  
 MINIMUM SUPPLY PRESSURE: 4.5" WATER COLUMN  
 PRESSION D'ALIMENTATION MINIMALE: 4.5" D'UNE COLONNE D'EAU  
 MAXIMUM SUPPLY PRESSURE: 7.0" WATER COLUMN  
 PRESSION D'ALIMENTATION MAXIMALE: 7.0" D'UNE COLONNE D'EAU

**NOT FOR USE WITH SOLID FUEL.**  
**WARNING:** THIS FIREPLACE USES AND REQUIRES A FAST ACTING THERMOCOUPLE. REPLACE ONLY WITH A FAST ACTING THERMOCOUPLE SUPPLIED BY WOLF STEEL LTD. DO NOT ADD ANY MATERIAL TO THE APPLIANCE, WHICH WILL COME IN CONTACT WITH THE FLAMES, OTHER THAN THAT SUPPLIED BY THE MANUFACTURER WITH THE APPLIANCE.

MINIMUM CLEARANCE TO COMBUSTIBLE MATERIALS:  
 TOP 18" BACK 1"  
 FLOOR 0" MANTEL NON-COMBUSTIBLE 23 1/4"  
 SIDES 1" RECESSED DEPTH  
 SEE INSTALLATION INSTRUCTIONS FOR FRAMING CLEARANCES.

**WOLF STEEL LTD.**  
 24 NAPOLEON ROAD, BARRIE, ON, L4M 0G8 CANADA

MANIFOLD PRESSURE: 10" WATER COLUMN  
 PRESSION AU COLLECTEUR: 10" D'UNE COLONNE D'EAU  
 MINIMUM SUPPLY PRESSURE: 11" WATER COLUMN  
 PRESSION D'ALIMENTATION MINIMALE: 11" D'UNE COLONNE D'EAU  
 MAXIMUM SUPPLY PRESSURE: 13" WATER COLUMN  
 PRESSION D'ALIMENTATION MAXIMALE: 13" D'UNE COLONNE D'EAU

**UN COMBUSTIBLE SOLIDE NE DOIT PAS ÊTRE UTILISÉ AVEC CET APPAREIL**  
**AVERTISSEMENT:** CE FOYER UTILISE ET REQUIERT UN THERMOCOUPLE À ACTION RAPIDE. REMPLACEZ UNIQUEMENT AVEC UN THERMOCOUPLE À ACTION RAPIDE DE WOLF STEEL LITE. N'AJOUTEZ PAS À CET APPAREIL AUCUN MATÉRIEL DEVANT ENTRER EN CONTACT AVEC LES FLAMMES AUTRE QUE CELUI QUI EST FOURNI AVEC CET APPAREIL PAR LE FABRICANT.

DÉGAGEMENTS MINIMAUX DES MATÉRIELUX COMBUSTIBLES:  
 DESSUS 18" ARRIÈRE 1"  
 PLANCHER 0" MANTEAU INCOMBUSTIBLE 23 1/4"  
 CÔTES 1" PROFONDEUR DE L'ENCAVE  
 POUR LES DÉGAGEMENTS AUX MATÉRIELUX D'OSSATURE, VOIR LE MANUEL D'INSTRUCTIONS.

SERIAL NUMBER/NO. DE SÉRIE: **GSS42** W385-2161 / B

**INSTALLER:** It is your responsibility to check off the appropriate box on the rating plate according to the model, venting and gas type of the appliance.

For rating plate location, see "INSTALLATION OVERVIEW" section.


This illustration is for reference only. Refer to the rating plate on the appliance for accurate information.

**NOTE:** The rating plate must remain with the appliance at all times. It must not be removed.

W415-2164 / B / 09.26.16

## 3.0 INSTALLATION

### 3.1 GAS INSTALLATION

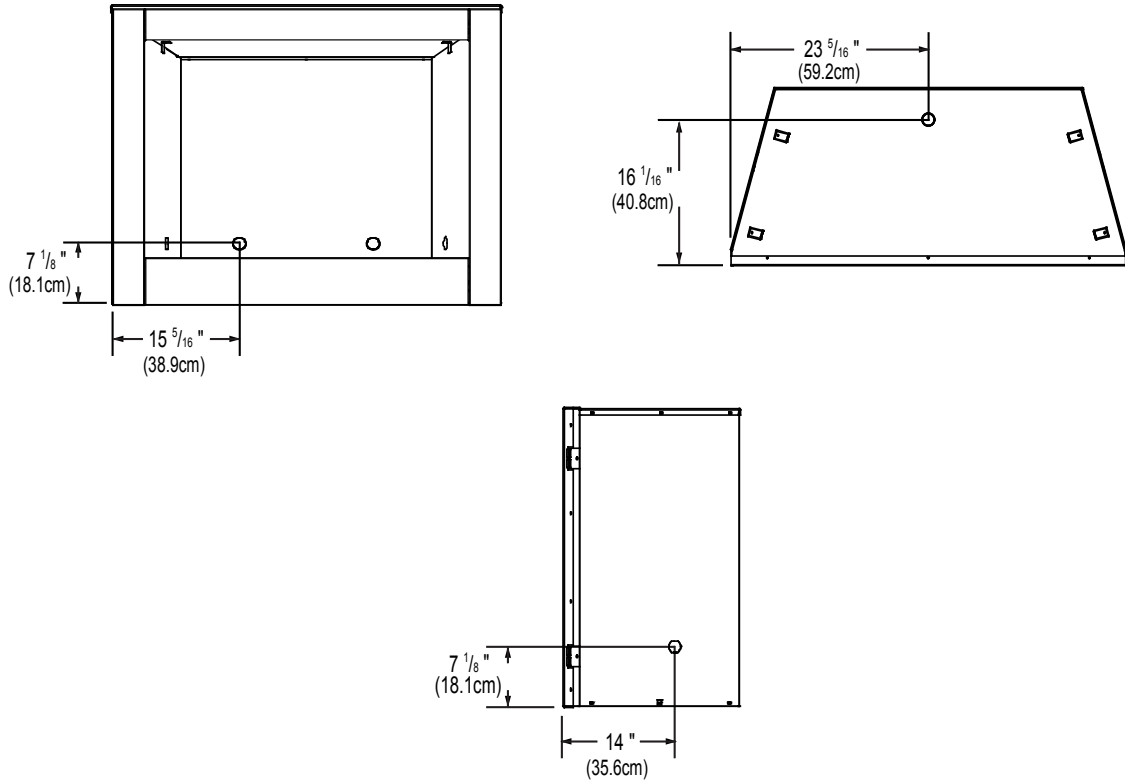
 <b>WARNING</b>
<b>RISK OF FIRE, EXPLOSION OR ASPHYXIATION. ENSURE THERE ARE NO IGNITION SOURCES SUCH AS SPARKS OR OPEN FLAMES.</b>
<b>SUPPORT GAS CONTROL WHEN ATTACHING GAS SUPPLY PIPE TO PREVENT DAMAGING GAS LINE.</b>
<b>PURGING OF THE GAS SUPPLY LINE SHOULD BE PERFORMED BY A QUALIFIED SERVICE TECHNICIAN. ASSURE THAT A CONTINUOUS GAS FLOW IS AT THE BURNER BEFORE CLOSING THE DOOR. ENSURE ADEQUATE VENTILATION. FOR GAS AND ELECTRICAL LOCATIONS, SEE “DIMENSION” SECTION.</b>
<b>ALL GAS CONNECTIONS MUST BE CONTAINED WITHIN THE APPLIANCE WHEN COMPLETE.</b>
<b>HIGH PRESSURE WILL DAMAGE VALVE. DISCONNECT GAS SUPPLY PIPING BEFORE TESTING GAS LINE AT TEST PRESSURES ABOVE 1/2 PSIG.</b>
<b>VALVE SETTINGS HAVE BEEN FACTORY SET, DO NOT CHANGE.</b>

Installation and servicing to be done by a qualified installer.

- Move the appliance into position and secure.
- If equipped with a flex connector the appliance is designed to accept a 1/2” (13mm) gas supply. Without the connector it is designed to accept a 3/8” (9.5mm) gas supply. The appliance is equipped with a manual shut off valve to turn off the gas supply to the appliance.
- Connect the gas supply in accordance to local codes. In the absence of local codes, install to the current CAN/CSA-B149.1 Installation Code in Canada or to the current National Fuel Gas Code, ANSI Z223.1 / NFPA 54 in the United States.
- When flexing any gas line, support the gas valve so that the lines are not bent or kinked.
- The gas line flex-connector should be installed to provide sufficient movement for shifting the burner assembly on its side to aid with servicing components.
- Check for gas leaks by brushing on a soap and water solution. **Do not use open flame.**

### 3.2 GAS INLET LOCATIONS

There are five gas inlet locations on the ventless firebox enclosure. One on each side of the appliance, two at the rear, and one on the bottom. Using the following illustrations identify the preferred inlet and remove corresponding knock out.



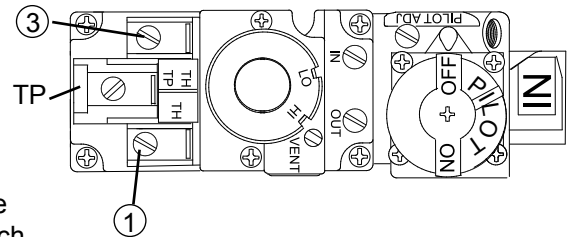
### 3.3 OPTIONAL WALL SWITCH INSTALLATION

**! WARNING**

**DO NOT CONNECT THE WALL SWITCH OR GAS VALVE DIRECTLY TO 110 VOLT ELECTRICITY.**

For ease of accessibility, an optional remote wall switch may be installed in a convenient location. Route a 2 strand, solid core millivolt wire from the valve to the wall switch. The recommended maximum lead length depends on wire size:

WIRE SIZE	MAX. LENGTH
14 gauge	100 feet (30.5m)
16 gauge	60 feet (18.3m)
18 gauge	40 feet (12m)



Disconnect the existing wires from terminals 1 and 3 (from the ON/OFF switch) and replace with the leads from the wall switch.

### 3.4 COMBUSTION AND VENTILATION AIR

This appliance is intended for installation on an outdoor patio or in your yard. It must never be installed inside the warm air envelope of your structure.

It is highly recommended that this appliance be installed in a “sheltered” area. Direct wind will cause an erratic flame and possible pilot or main burner outage.

An erratic flame could also lead to excessive carboning (black soot) which is not a safety issue but is visually undesirable.

Typical installation may include covered patio, screened porch, gazebo or on an outside wall of a house.

**\* If installing a propane appliance, the propane cylinder must always be on the exterior of such a structure.**

**NOTE:** Ensure the area has adequate ventilation.

## 4.0 FRAMING

### 4.1 CLEARANCE TO COMBUSTIBLES

<b>! WARNING</b>
<b>RISK OF FIRE!</b>
<b>IN ORDER TO AVOID THE POSSIBILITY OF EXPOSED INSULATION OR VAPOUR BARRIER COMING IN CONTACT WITH THE APPLIANCE BODY, IT IS RECOMMENDED THAT THE WALLS OF THE APPLIANCE ENCLOSURE BE “FINISHED” (IE: DRYWALL / SHEETROCK), AS YOU WOULD FINISH ANY OTHER OUTSIDE WALL OF A HOME. THIS WILL ENSURE THAT CLEARANCE TO COMBUSTIBLES IS MAINTAINED WITHIN THE CAVITY.</b>
<b>DO NOT NOTCH THE FRAMING AROUND THE APPLIANCE STAND-OFFS. FAILURE TO MAINTAIN AIR SPACE CLEARANCE MAY CAUSE OVER HEATING AND FIRE. PREVENT CONTACT WITH SAGGING OR LOOSE INSULATION OR FRAMING AND OTHER COMBUSTIBLE MATERIALS. BLOCK OPENING INTO THE CHASE TO PREVENT ENTRY OF BLOWN-IN INSULATION. MAKE SURE INSULATION AND OTHER MATERIALS ARE SECURED.</b>
<b>WHEN CONSTRUCTING THE ENCLOSURE ALLOW FOR FINISHING MATERIAL THICKNESS TO MAINTAIN CLEARANCES. FRAMING OR FINISHING MATERIAL CLOSER THAN THE MINIMUMS LISTED MUST BE CONSTRUCTED ENTIRELY OF NON-COMBUSTIBLE MATERIALS. MATERIALS CONSISTING ENTIRELY OF STEEL, IRON, BRICK, TILE, CONCRETE, SLATE, GLASS OR PLASTERS, OR ANY COMBINATION THEREOF ARE SUITABLE. MATERIALS THAT ARE REPORTED AS PASSING ASTM E 136, STANDARD TEST METHOD FOR BEHAVIOUR OF MATERIALS IN A VERTICAL TUBE FURNACE AT 1382° F (750°C) AND UL763 SHALL BE CONSIDERED NON-COMBUSTIBLE MATERIALS.</b>
<b>MINIMUM CLEARANCE TO COMBUSTIBLES MUST BE MAINTAINED OR A SERIOUS FIRE HAZARD COULD RESULT.</b>
<b>THE APPLIANCE REQUIRES A MINIMUM ENCLOSURE HEIGHT. MEASURE FROM THE APPLIANCE BASE.</b>
<b>IF STEEL STUD FRAMING KITS WITH CEMENT BOARD ARE PROVIDED, OR SPECIFIED IN THE INSTALLATION INSTRUCTIONS, THEY MUST BE INSTALLED.</b>
<b>IF SPECIFIED IN THE INSTALLATION INSTRUCTION FINISHING MUST BE DONE USING A NON-COMBUSTIBLE MATERIAL SUCH AS NON-COMBUSTIBLE BOARD, CERAMIC TILE, MARBLE, ETC. DO NOT USE WOOD OR DRYWALL. ANY FIRE RATED DRYWALL IS NOT ACCEPTABLE</b>

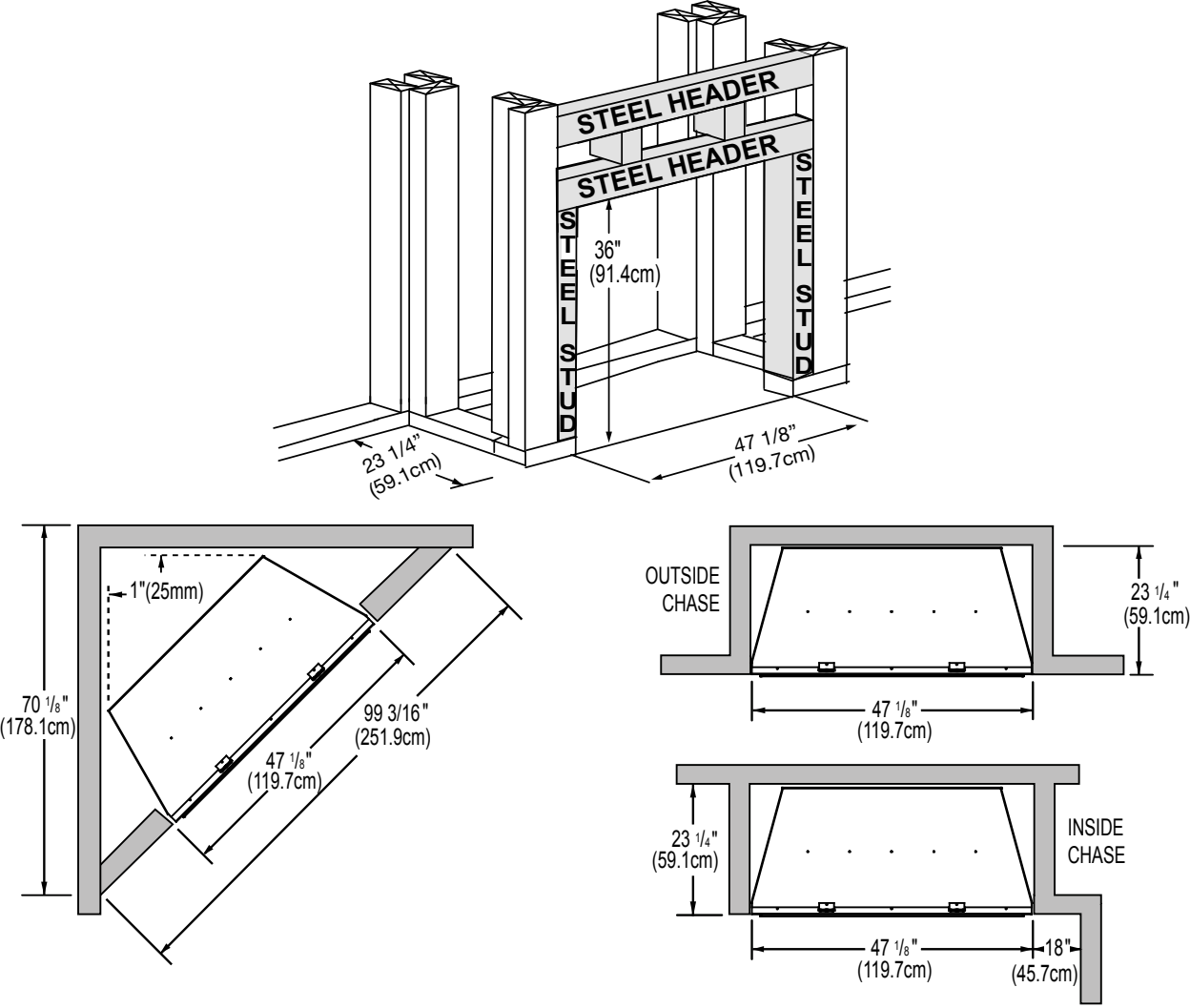
71.1C



<b>Minimum Clearance to Combustibles construction from appliance and vent surfaces:</b>	
Framing	0" (0mm) to stand-offs (rear and sides only) Use a steel header for the top and two steel studs on the sides.
Finishing	1" (25mm) to back and sides
Non-combustible finishing	18" (45.7cm) to top 4" (102mm) to sides of appliance opening Non-combustible finishing material (ie. cement board, brick, stone, tile) may be used to finish the front of the appliance.
Recessed depth	23 1/4" (58.7cm)
Enclosure top	58 1/2" (148.6cm) from bottom of appliance
Clearance to ceiling	84" (213.4cm) from bottom of appliance.

It is recommended that the walls of the appliance enclosure be finished. This would ensure that clearance to combustibles is maintained within the cavity.

It is best to frame your appliance after it is positioned. Use 2x4's and frame to local building codes.

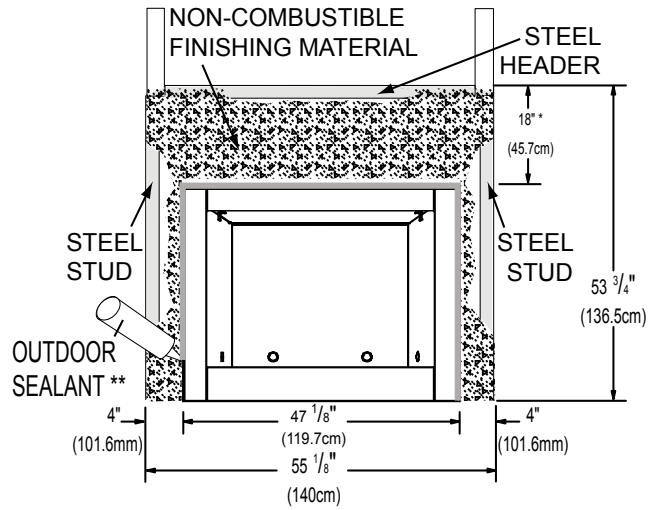


**! WARNING**

**USE ONLY NON-COMBUSTIBLE MATERIAL SUCH AS CEMENT BOARD, CERAMIC TILE, MARBLE, ETC. WHEN FINISHING TO THE APPLIANCE. DO NOT USE WOOD OR DRYWALL.**

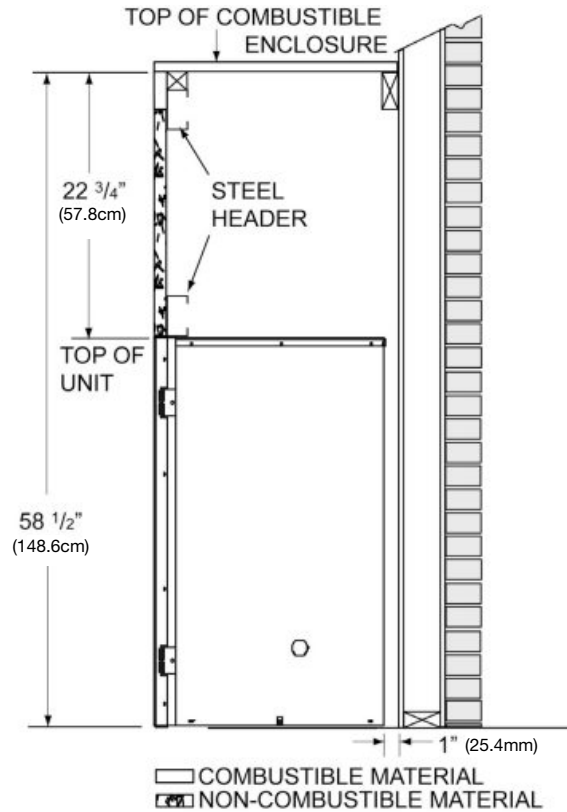
\*From top of unit.

\*\* An outdoor sealant must be used along the edge of the fireplace and the non-combustible material to keep water from entering the chase.



\* From top of appliance

#### 4.2 MINIMUM ENCLOSURE CLEARANCES



This appliance requires a minimum enclosure height of 58 1/2" (148.6cm).

For temperature requirements, the enclosure space around and above the fireplace must be left unobstructed.

4.3 MINIMUM MANTEL CLEARANCES

**⚠ WARNING**

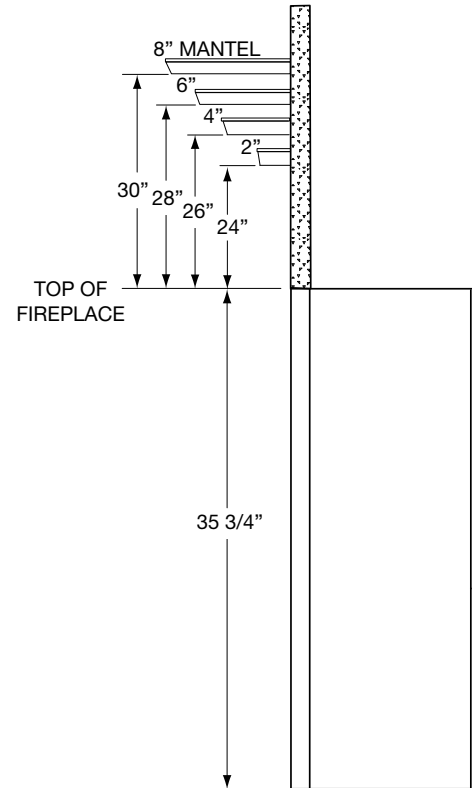
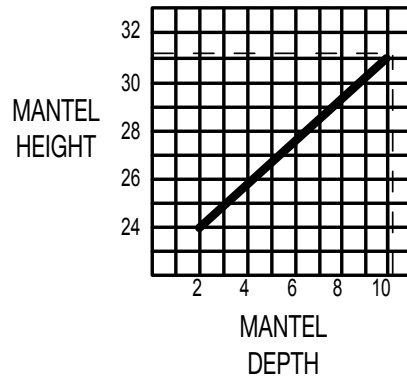
**RISK OF FIRE, MAINTAIN ALL SPECIFIED AIR SPACE CLEARANCES TO COMBUSTIBLES. FAILURE TO COMPLY WITH THESE INSTRUCTIONS MAY CAUSE A FIRE OR CAUSE THE APPLIANCE TO OVERHEAT. ENSURE ALL CLEARANCES (I.E. BACK, SIDE, TOP, VENT, MANTEL, FRONT, ETC.) ARE CLEARLY MAINTAINED.**

**WHEN USING PAINT OR LACQUER TO FINISH THE MANTEL, THE PAINT OR LACQUER MUST BE HEAT RESISTANT TO PREVENT DISCOLOURATION.**

73.1

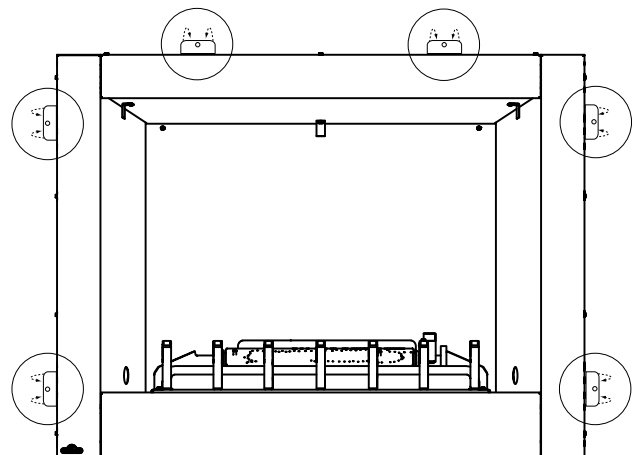
We recommend all mantels made from non-combustible material. If using combustible materials, follow the chart below.

**NOTE:** Mantel temperatures will rise above normal temperatures and may be hot to the touch.



4.4 NAILING TAB

To install the appliance face flush with the finished surface, position the framework to accommodate the thickness of the finished surface. Bend out the six nailing tabs, attached on top and on either side of the appliance and secure to the 2x4 framing. The tabs will facilitate the installation of either a 1/2" (12.7mm) or 3/4" (19.1mm) finished surface thickness.



## 5.0 FINISHING

### 5.1 LOG PLACEMENT

#### ! WARNING

FAILURE TO POSITION THE LOGS IN ACCORDANCE WITH THESE DIAGRAMS OR FAILURE TO USE ONLY LOGS SPECIFICALLY APPROVED WITH THIS APPLIANCE MAY RESULT IN PROPERTY DAMAGE OR PERSONAL INJURY.

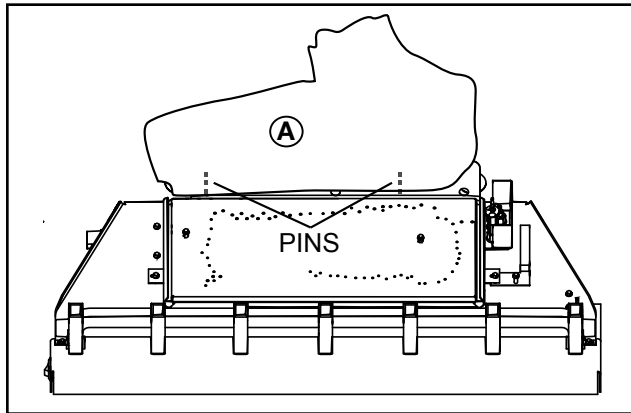
LOGS MUST BE PLACED IN THEIR EXACT LOCATION IN THE APPLIANCE. DO NOT MODIFY THE PROPER LOG POSITIONS, SINCE APPLIANCE MAY NOT FUNCTION PROPERLY AND DELAYED IGNITION MAY OCCUR.

THE LOGS ARE FRAGILE AND SHOULD BE HANDLED WITH CARE.

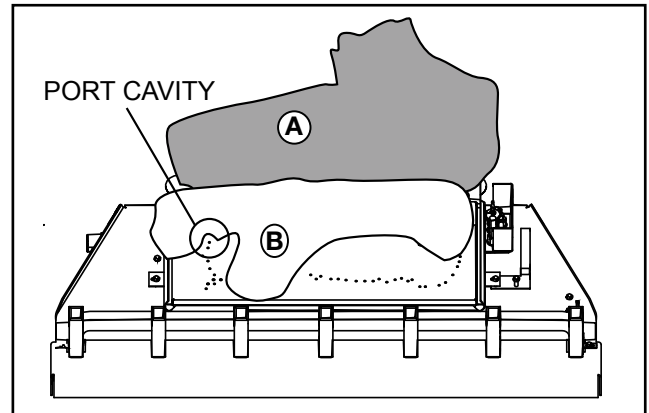
76.1A

**PHAZER™** logs and glowing embers exclusive to Napoleon, provide a unique and realistic glowing effect that is different in every installation. Take the time to carefully position the glowing embers for a maximum glowing effect.

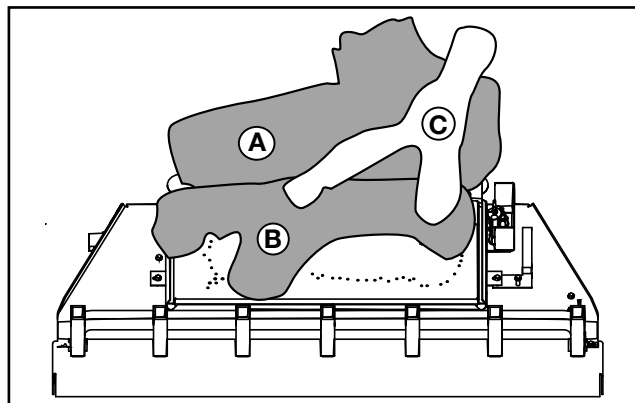
Log colours may vary. During the initial use of the appliance, the colours will become more uniform as colour pigments burn in during the heat activated curing process.



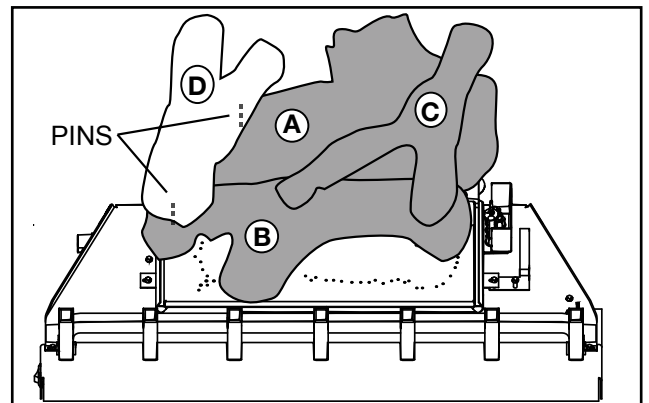
- A.** Place the rear log (W135-0668) onto the locating pins along the back edge of the burner.



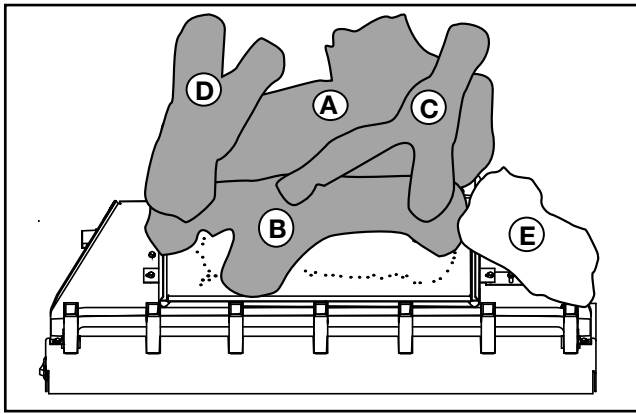
- B.** Position the middle log (W135-0669) onto the locator pins on the burner. Ensure the port cavity on the underside of the log is positioned such that it runs over the ports allowing them to be exposed.



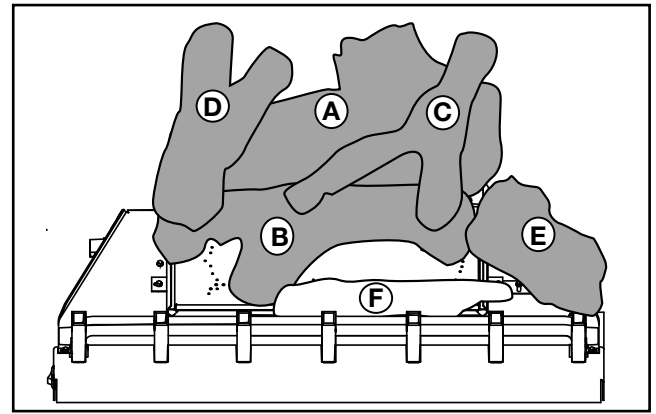
- C.** Place the end of the crossover log (W135-0672) on the right side of the knot of log A. The "Y" in the log should straddle the knot on top of log B.



- D.** Place one pin into the left side of log A and one into the left side of log B. Place the left side log (W135-0671) onto the pins located in the left side of logs A and B.



- E. Position the slot in the bottom of the right log (W135-0670) onto the bracket beside the burner on the right, with the charred face of the log to the front.



- F. Position log F (W135-0481) in front of the front row of burner ports, and allow it to rest against the backside of the grate assembly.

**IMPORTANT**  
IT IS HIGHLY RECOMMENDED TO PROTECT THE LOGS FROM MOISTURE.  
COVER THE FIREBOX WHEN NOT IN USE.

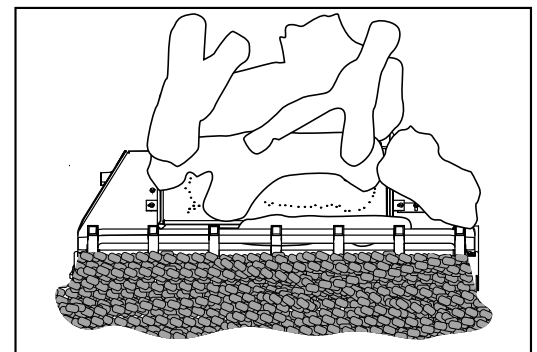
## 5.2 GLOWING EMBERS (OPTIONAL)

Glowing embers (not supplied) may be used to enhance the flame's appearance. Tear the embers into pieces and place along the front row of ports covering all of the burner area in front of the small logs. Care should be taken to shred the embers into thin, small irregular pieces as only the exposed edges of the fibre hairs will glow. **The ember material will only glow when exposed to direct flame; however, care should be taken to not block the burner ports.**

Blocked burner ports can cause an incorrect flame pattern, carbon deposits and delayed ignition. **PHAZER™** logs glow when exposed to direct flame. Use only certified "glowing embers" and **PHAZER™** logs available from your authorized dealer / distributor.

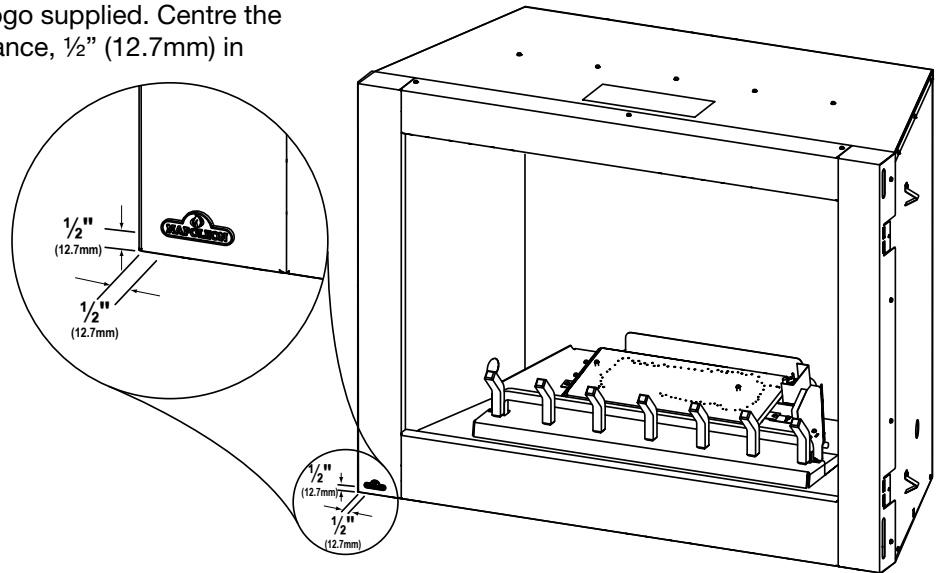
## 5.3 CHARCOAL LUMPS/LAVA ROCK

- A. Place lava rock around the base of the fireplace, making sure not to block any burner ports or valve access. Retain a small amount of lava rock for step C.
- B. Place formed charcoal lumps around the front and sides of the unit.
- C. Use remaining lava rock to blend with the charcoal lumps.

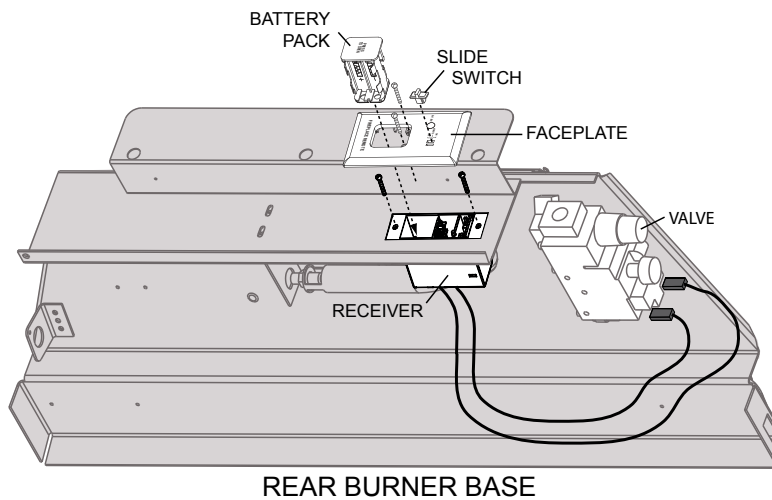


## 5.4 LOGO PLACEMENT

Remove the backing of the logo supplied. Centre the logo on the front of the appliance,  $\frac{1}{2}$ " (12.7mm) in from the left side, as shown.



## 6.0 OPTIONAL REMOTE INSTALLATION



- A. Remove the battery pack from the receiver. Then by pulling down, remove the receiver cover and slide the receiver into the hole located at the rear of the burner base. Secure using the two screws provided.
- B. Secure the faceplate to the receiver with two of the screws provided.
- C. Insert the battery pack (with batteries installed) through the opening in the faceplate and into the receiver. The battery pack is secured and released with a catch mechanism. Push the receiver into the catch to secure.
- D. Insert the slide switch into its marked position on the faceplate.
- E. Replace the existing switch wires connected to the terminals on the valve marked TH/TP and TH with those running from the receiver.

**NOTE:** The remote switch on the side of the unit is no longer operational.

**WARNING :** The transmitter and receiver are not waterproof. Ensure both components are not exposed to water.

## 7.0 OPERATION

### WARNING

**IF YOU DO NOT FOLLOW THESE INSTRUCTIONS EXACTLY, A FIRE OR EXPLOSION MAY RESULT CAUSING PROPERTY DAMAGE, PERSONAL INJURY OR LOSS OF LIFE.**

When lit for the first time, the appliance will emit an odor for a few hours. This is a normal temporary condition caused by the “burn-in” of paints and lubricants used in the manufacturing process and will not occur again. After extended periods of non-operation such as following a vacation or a warm weather season, the appliance may emit a slight odor for a few hours. This is caused by dust particles in the heat exchanger burning off. In both cases, sufficiently ventilate the area.





#### FOR YOUR SAFETY READ BEFORE LIGHTING:

- This appliance is equipped with a pilot which must be lit by hand while following these instructions exactly.
- Before operating smell all around the appliance area for gas and next to the floor because some gas is heavier than air and will settle on the floor.
- Use only your hand to turn the gas control knob. Never use tools. If the knob will not turn by hand, do not try to repair it. Call a qualified service technician. Force or attempted repair may result in a fire or explosion.
- Do not use this appliance if any part has been under water. Immediately call a qualified service technician to inspect the appliance and replace any part of the control system and any gas control which has been under water.

#### WHAT TO DO IF YOU SMELL GAS:

- Do not use a mobile or land phone.
- If you cannot reach your gas supplier, call the fire department.
- Do not try to light any appliance.
- Immediately call your gas supplier from a neighbour’s phone. Follow the gas supplier’s instructions.
- Turn off all gas to the appliance.

#### LIGHTING INSTRUCTIONS:

- Stop! Read the above safety information on this label.
- Turn the gas knob clockwise  to off.
- Wait five (5) minutes to clear out any gas. If you smell gas including near the floor, **STOP!** Follow “B” in the above safety information on this label. If you don’t smell gas go to the next step.
- If the appliance is equipped with flame adjustment valve turn clockwise  to off.
- Find pilot located in front of back log.
- Turn gas knob counter-clockwise  to pilot.
- Depress and hold gas knob while lighting the pilot with the push button igniter. Keep knob fully depressed for one minute, then release. If pilot does not continue to burn repeat steps 3 through 7.
- With pilot lit, turn gas knob counter-clockwise  to on.
- If equipped with flame adjustment valve, push and turn knob to high.
- If equipped with remote on-off switch, main burner may not come on when you turn the valve to on or high. Remote switch must be in the on position to ignite burner.

#### TO TURN OFF GAS:

- Push in gas control knob slightly and turn clockwise  to off. **DO NOT FORCE.**

47.9

## 8.0 ADJUSTMENT

### 8.1 VENTURI ADJUSTMENT

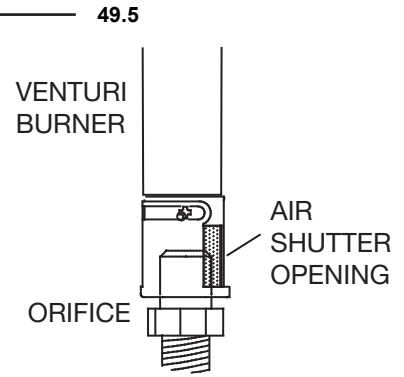
#### ! WARNING

**CARBON CAN BE DISTRIBUTED IN SURROUNDING LIVING AREA IF THE AIR SHUTTER IS IMPROPERLY ADJUSTED.**

This appliance has an air shutter that has been factory set open according to the chart below:

Regardless of venturi orientation, closing the air shutter will cause a more yellow flame, but can lead to carbonization. Opening the air shutter will cause a more blue flame, but can cause flame lifting from the burner ports. The flame may not appear yellow immediately; allow 15 to 30 minutes for the final flame colour to be established.

**AIR SHUTTER ADJUSTMENT MUST ONLY BE DONE BY A QUALIFIED INSTALLER!**

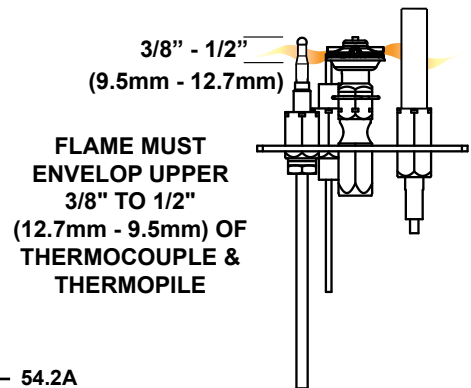


49.1

VENTURI ADJUSTMENT CHART	
NG	1/8" (3.2mm)
LP	1/4" (6.4mm)

### 8.2 FLAME CHARACTERISTICS

It's important to periodically perform a visual check of the pilot and burner flames. Compare them to the illustrations provided. If any flame appears abnormal call a service person.





## 9.0 MAINTENANCE

<b>! WARNING</b>
<b>TURN OFF THE GAS AND ELECTRICAL POWER BEFORE SERVICING THE APPLIANCE.</b>
<b>APPLIANCE MAY BE HOT, DO NOT SERVICE UNTIL APPLIANCE HAS COOLED.</b>
<b>DO NOT USE ABRASIVE CLEANERS.</b>
<b>DO NOT PAINT THE PILOT ASSEMBLY.</b>

**CAUTION:** Label all wires prior to disconnection when servicing controls. Wiring errors can cause improper and dangerous operation. Verify proper operation after servicing. This appliance and its venting system should be inspected before use and at least annually by a qualified service person. The appliance area must be kept clear and free of combustible materials, gasoline or other flammable vapors and liquids. The flow of combustion and ventilation air must not be obstructed.

1. In order to properly clean the burner and pilot assembly, remove the logs, rocks and/or glass to expose both assemblies.
2. Keep the control compartment, media, burner, air shutter opening and the area surrounding the logs clean by vacuuming or brushing, at least once a year.
3. Check to see that all burner ports are burning. Clean out any of the ports which may not be burning or are not burning properly.
4. Check to see that the pilot flame is large enough to engulf the flame sensor and/or thermocouple / thermopile as well as reaches the burner.
5. Replace the cleaned logs, rocks or glass. Failure to properly position the media may cause carboning which can be distributed in the surrounding living area.
6. Check to see that the main burner ignites completely on all openings when turned on. A 5 to 10 second total light-up period is satisfactory. If ignition takes longer, consult your local authorized dealer / distributor.

40.16A

Stainless steel tends to oxidize or stain in the presence of chlorides and sulfides, particularly in coastal areas and other harsh environments, such as the warm, highly humid atmosphere around pools and hot tubs. These stains could be perceived as rust, but can be easily removed or prevented. To provide stain prevention and removal, wash all stainless steel surfaces every 3-4 weeks or as often as required with fresh water and/or stainless steel cleaner.

### **CLEANING THE STAINLESS STEEL SURFACE:**

Do not use abrasive cleaners or steel wool on the stainless steel parts. Doing so will scratch the finish. Surfaces should be cleaned with warm soapy water while the metal is still warm to the touch. To clean stainless surfaces, use a stainless steel or non-abrasive cleaner. Always wipe in the direction of the grain. Over time, stainless steel parts discolour when heated, usually to a golden or brown hue. This discolouration is normal and does not affect the performance of the appliance.

81.1

We recommend that the burner be inspected semi-annually by a qualified technician. The burner must be replaced prior to the appliance being put into operation if it is evident that the burner is damaged. Use only replacement parts as supplied by the appliance manufacturer.

## 10.0 REPLACEMENTS

### **WARNING**

**FAILURE TO POSITION THE PARTS IN ACCORDANCE WITH THIS MANUAL OR FAILURE TO USE ONLY PARTS SPECIFICALLY APPROVED WITH THIS APPLIANCE MAY RESULT IN PROPERTY DAMAGE OR PERSONAL INJURY.**

**\*\* THIS IS A FAST ACTING THERMOCOUPLE. IT IS AN INTEGRAL SAFETY COMPONENT. REPLACE ONLY WITH A FAST ACTING THERMOCOUPLE SUPPLIED BY WOLF STEEL LTD.**

Contact your dealer for questions concerning prices and policies on replacement parts. Normally all parts can be ordered through your Authorized dealer / distributor.

**FOR WARRANTY REPLACEMENT PARTS, A PHOTOCOPY OF THE ORIGINAL INVOICE WILL BE REQUIRED TO HONOUR THE CLAIM.**

When ordering replacement parts always give the following information:

- Model & Serial Number of appliance
- Installation date of appliance
- Part number
- Description of part
- Finish

**PARTS, PART NUMBERS AND AVAILABILITY ARE SUBJECT TO CHANGE WITHOUT NOTICE.**

**PARTS IDENTIFIED AS STOCKED WILL BE DELIVERED WITHIN 2 TO 5 BUSINESS DAYS FOR MOST DELIVERY DESTINATIONS.**

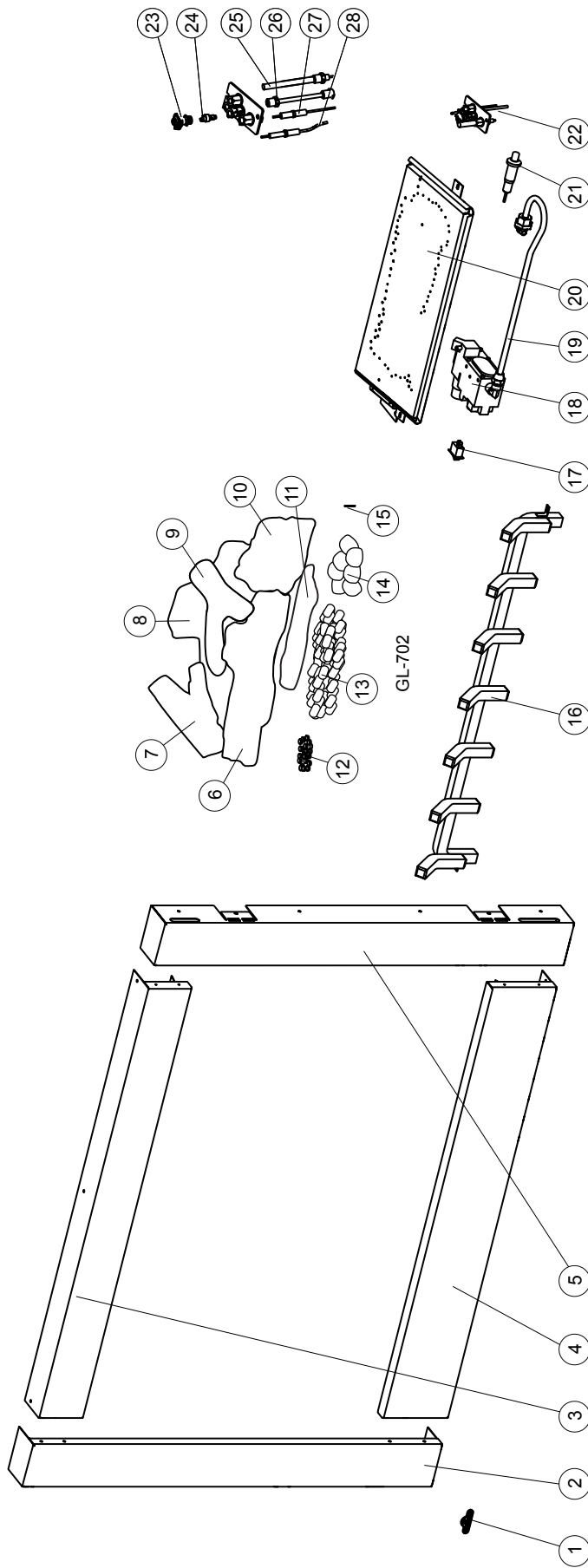
**PARTS NOT IDENTIFIED AS STOCKED WILL BE DELIVERED WITHIN A 2 TO 4 WEEK PERIOD.**

**PARTS IDENTIFIED AS 'SO' ARE SPECIAL ORDER AND CAN TAKE UP TO 90 DAYS FOR DELIVERY.**

---

41.2B

# 10.1 OVERVIEW AND VALVE TRAIN ASSEMBLY



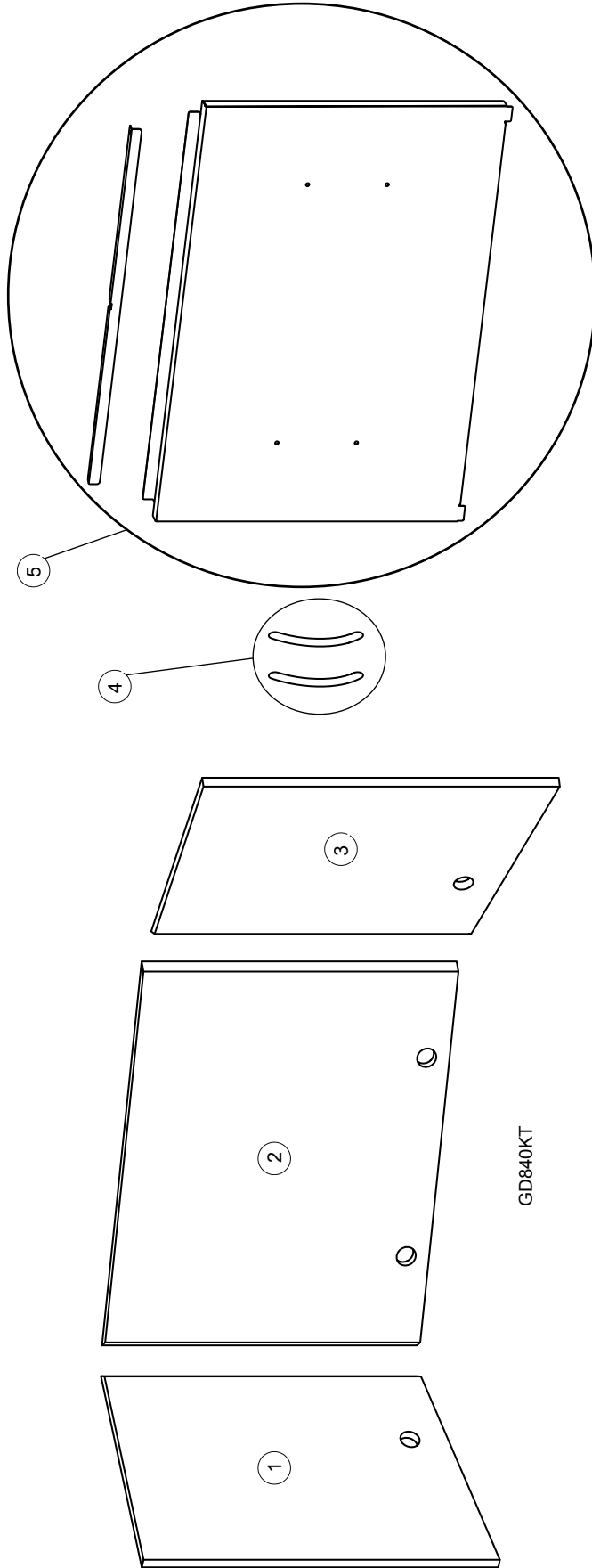
ITEMS MAY NOT APPEAR EXACTLY AS ILLUSTRATED

REF. NO.	PART NUMBER	DESCRIPTION	STOCKED
1	W385-2010	NAPOLEON LOGO	YES
2	W280-0351-SER	LEFT SIDE FRAME	
3	W280-0350-SER	TOP FRAME	
4	W280-0349-SER	BOTTOM FRAME	
5	W280-0352-SER	RIGHT SIDE FRAME	
6	W135-0669	MIDDLE LOG (GL-702)	
7	W135-0671	LEFT LOG (GL-702)	
8	W135-0668	REAR LOG (GL-702)	
9	W135-0672	CROSSOVER LOG (GL-702)	
10	W135-0670	RIGHT LOG (GL-702)	
11	W135-0691	TOP MIDDLE CROSSOVER LOG (GL-702)	
12	W361-0016	GLOWING EMBERS	YES
13	W550-0006	LAVA ROCK	YES
14	W550-0002	CHARCOAL LUMPS	YES
15	W485-0042	LOG LOCATING PIN	YES

REF. NO.	PART NUMBER	DESCRIPTION	STOCKED
16	W010-3962	LOG GRATE	
17	W660-0009	ON / OFF SWITCH	YES
18	W725-0028	VALVE (NG)	YES
19	W432-0061	MANIFOLD PIPE	
20	W010-1739-SER	BURNER PAN ASSEMBLY	YES
21	W357-0001	PUSH BUTTON IGNITOR	YES
22	W010-1194	PILOT ASSEMBLY (NG)	YES
23	W335-0039	PILOT HOOD	YES
24	W455-0070	PILOT ORIFICE #62 (NG)	YES
24	W455-0068	PILOT ORIFICE #35 (LP)	YES
25	W680-0004	THERMOPILE	YES
26	W720-0062	PILOT TUBE (w/ FITTINGS)	YES
27	W240-0006-SER	ELECTRODE (w/ WIRE)	YES
28	W680-0005	THERMOCOUPLE	YES



# 11.0 ACCESSORIES



GD840KT

ITEMS MAY NOT APPEAR EXACTLY AS ILLUSTRATED

REF. NO.	PART NUMBER	DESCRIPTION	STOCKED
1	W475-0552	LEFT SIDE BRICK PANEL	
2	W475-0553	REAR BRICK PANEL	
3	W475-0551	RIGHT SIDE BRICK PANEL	

REF. NO.	PART NUMBER	DESCRIPTION	STOCKED
4	N325-0049	DOOR HANDLE (X2)	
5	GSS42COV	SEASONAL COVER KIT	

## 12.0 TROUBLESHOOTING

### ! WARNING

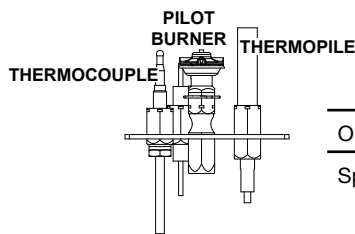
**ALWAYS LIGHT THE PILOT WHETHER FOR THE FIRST TIME OR IF THE GAS SUPPLY HAS RUN OUT, WITH THE GLASS DOOR OPEN OR REMOVED.**

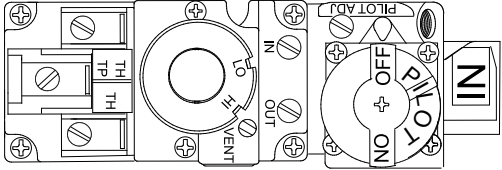
**TURN OFF THE GAS AND ELECTRICAL POWER BEFORE SERVICING THE APPLIANCE.**

**APPLIANCE MAY BE HOT, DO NOT SERVICE UNTIL APPLIANCE HAS COOLED.**

**DO NOT USE ABRASIVE CLEANERS.**

SYMPTOM	PROBLEM	TEST SOLUTION	
Main burner goes out; pilot stays on.	Pilot flame is not large enough or not engulfing the thermopile.	<ul style="list-style-type: none"> <li>- Turn up the pilot flame.</li> <li>- Replace pilot assembly.</li> </ul>	
	Thermopile shorting.	<ul style="list-style-type: none"> <li>- Clean thermopile connection to the valve. Reconnect.</li> <li>- Replace thermopile / valve.</li> </ul>	
	Remote wall switch wire is too long; too much resistance in the system.	<ul style="list-style-type: none"> <li>- Shorten wire to connect length or wire gauge.</li> </ul>	
	Faulty thermostat or switch.	<ul style="list-style-type: none"> <li>- Replace.</li> </ul>	
Main burner goes out; pilot goes out.	Refer to "MAIN BURNER GOES OUT; PILOT STAYS ON"		
Pilot goes out when the gas knob is released. <b>The gas valve has an interlock device which will not allow the pilot burner to be lit until the thermocouple has cooled. Allow approximately 60 seconds for the thermocouple to cool.</b>	System is not correctly purged.	<ul style="list-style-type: none"> <li>- Purge the gas line.</li> </ul>	
	Out of propane gas.	<ul style="list-style-type: none"> <li>- Fill the tank.</li> </ul>	
	Pilot flame is not large enough.	<ul style="list-style-type: none"> <li>- Turn up the pilot flame.</li> </ul>	
	Pilot flame is not engulfing the thermocouple	<ul style="list-style-type: none"> <li>- Gently twist the pilot head to improve the flame pattern around the thermocouple.</li> </ul>	
	Thermocouple shorting / faulty.	<ul style="list-style-type: none"> <li>- Loosen and tighten thermocouple.</li> <li>- Clean thermocouple and valve connection.</li> <li>- Replace thermocouple.</li> <li>- Replace valve.</li> </ul>	
	Faulty valve.	<ul style="list-style-type: none"> <li>- Replace.</li> </ul>	
Pilot burning; no gas to main burner; gas knob is on 'HI'; wall switch / thermostat is on.	Thermostat or switch is defective	<ul style="list-style-type: none"> <li>- Connect a jumper wire across the wall switch terminals; if main burner lights, replace switch / thermostat.</li> </ul>	
	Wall switch wiring is defective.	<ul style="list-style-type: none"> <li>- Disconnect the switch wires &amp; connect a jumper wire across terminals 1 &amp; 3; if the main burner lights, check the wires for defects and/or replace wires.</li> </ul>	
	Main burner orifice is plugged.	<ul style="list-style-type: none"> <li>- Remove stoppage in orifice.</li> </ul>	
	Faulty valve.	<ul style="list-style-type: none"> <li>- Replace.</li> </ul>	
Pilot will not light.	No spark at pilot burner.	<ul style="list-style-type: none"> <li>- Check if pilot can be lit by a match.</li> <li>- Check that the wire is connected to the push button igniter.</li> <li>- Check if the push button igniter needs tightening.</li> <li>- Replace the wire if the wire insulation is broken or frayed.</li> <li>- Replace the electrode if the ceramic insulator is cracked or broken.</li> <li>- Replace the push button ignitor</li> </ul>	
		Out of propane gas.	<ul style="list-style-type: none"> <li>- Fill the tank.</li> </ul>
		Spark gap is incorrect.	<ul style="list-style-type: none"> <li>- Spark gap should be 0.150" (3.8mm) to 0.175" (4.5mm) from the electrode tip and the pilot burner. To ensure proper electrode location, tighten securing nut (finger tight plus 1/4 turn).</li> </ul>
		No gas at the pilot burner.	<ul style="list-style-type: none"> <li>- Check that the manual valve is turned on.</li> <li>- Check the pilot orifice for blockage.</li> <li>- Replace the valve.</li> <li>- Call the gas distributor.</li> </ul>



SYMPTOM	PROBLEM	TEST SOLUTION															
Pilot goes out while standing; Main burner is in 'OFF' position.	Gas piping is undersized.	<ul style="list-style-type: none"> <li>- Turn on all gas appliances and see if pilot flame flutters, diminishes or extinguishes, especially when main burner ignites. Monitor appliance supply working pressure.</li> <li>- Check if supply piping size is to code. Correct all undersized piping.</li> </ul>															
Flames are consistently too large or too small. Carboning occurs.	Unit is over-fired or under-fired.	<ul style="list-style-type: none"> <li>- Check pressure readings:</li> <li>- Inlet pressure can be checked by turning screw (A) counter-clockwise 2 or 3 turns and then placing pressure gauge tubing over the test point. Gauge should read as described on the chart below. Check that main burner is operating on 'HI'.</li> <li>- Outlet pressure can be checked the same as above using screw (B). Gauge should read as described on the chart below. Check that main burner is operating on 'HI'.</li> <li>- AFTER TAKING PRESSURE READINGS, BE SURE TO TURN SCREWS CLOCKWISE FIRMLY TO RESEAL. DO NOT OVER TORQUE.</li> <li>- Leak test with a soap and water solution.</li> </ul>															
		<table border="1"> <thead> <tr> <th>Pressure</th> <th>Natural Gas (inches)</th> <th>Natural Gas (millibars)</th> <th>Propane (inches)</th> <th>Propane (millibars)</th> </tr> </thead> <tbody> <tr> <td>Inlet</td> <td>7" (MIN. 4.5")</td> <td>17.4mb (MIN. 11.2mb)</td> <td>13" (MIN. 11")</td> <td>32.4mb (MIN. 27.4mb)</td> </tr> <tr> <td>Outlet</td> <td>3.5"</td> <td>8.7mb</td> <td>10"</td> <td>24.9mb</td> </tr> </tbody> </table>	Pressure	Natural Gas (inches)	Natural Gas (millibars)	Propane (inches)	Propane (millibars)	Inlet	7" (MIN. 4.5")	17.4mb (MIN. 11.2mb)	13" (MIN. 11")	32.4mb (MIN. 27.4mb)	Outlet	3.5"	8.7mb	10"	24.9mb
Pressure	Natural Gas (inches)	Natural Gas (millibars)	Propane (inches)	Propane (millibars)													
Inlet	7" (MIN. 4.5")	17.4mb (MIN. 11.2mb)	13" (MIN. 11")	32.4mb (MIN. 27.4mb)													
Outlet	3.5"	8.7mb	10"	24.9mb													
Carbon is being deposited on logs or combustion chamber surfaces.	<p>Air shutter has become blocked.</p> <p>Flame is impinging on the logs or combustion chamber.</p>	<ul style="list-style-type: none"> <li>- Ensure air shutter opening is free of lint or other obstructions.</li> <li>- Check that the logs are correctly positioned.</li> <li>- Open air shutter to increase the primary air.</li> <li>- Check the input rate: check the manifold pressure and orifice size as specified by the rating plate values.</li> </ul>															
White / grey film forms.	Sulphur from fuel is being deposited on glass, logs or combustion chamber surfaces.	<ul style="list-style-type: none"> <li>- Clean the glass with a recommended gas appliance glass cleaner.</li> <li>- DO NOT CLEAN GLASS WHEN HOT.</li> <li>- If deposits are not cleaned off regularly, the glass may become permanently marked.</li> </ul>															
Remote wall switch is in 'OFF' position; main burner comes on when gas knob is turned to 'ON' position.	<p>Wall switch is mounted upside down.</p> <p>Remote wall switch is grounding.</p> <p>Remote wall switch wire is grounding.</p> <p>Faulty valve.</p>	<ul style="list-style-type: none"> <li>- Reverse.</li> <li>- Replace.</li> <li>- Check for ground (short); repair ground or replace wire.</li> <li>- Replace.</li> </ul>															

## 13.0 WARRANTY

NAPOLEON gas appliances are manufactured under the strict Standard of the world recognized ISO 9001 : 2008 Quality Assurance Certificate.

NAPOLEON products are designed with superior components and materials, assembled by trained craftsmen who take great pride in their work. The burner and valve assembly are leak and test-fired at a quality test station. Once assembled the complete appliance is thoroughly inspected by a qualified technician before packaging to ensure that you, the customer, receives the quality product that you expect from NAPOLEON.

### NAPOLEON GAS APPLIANCE 5 YEAR LIMITED WARRANTY

All stainless steel components of your new NAPOLEON gas appliance are warranted against defects for five years.

Electrical (110V) components and wearable parts are covered and NAPOLEON will provide replacement parts free of charge during the first year of the limited warranty. This covers: gas valves, logs and gasketing.\*

Labour related to warranty repair is covered free of charge during the first year. Repair work, however, requires the prior approval of an authorized company official. Labour costs to the account of NAPOLEON are based on a predetermined rate schedule and any repair work must be done through an authorized NAPOLEON dealer.

\* Construction of models vary. Warranty applies only to components included with your specific appliance.

### CONDITIONS AND LIMITATIONS

NAPOLEON warrants its products against manufacturing defects to the original purchaser only. Registering your warranty is not necessary. Simply provide your proof of purchase along with the model and serial number to make a warranty claim. NAPOLEON reserves the right to have its representative inspect any product or part thereof prior to honouring any warranty claim. Provided that the purchase was made through an authorized NAPOLEON dealer your appliance is subject to the following conditions and limitations:

Warranty coverage begins on the date of original installation.

This limited warranty applies only while the unit remains at the site of original installation, and only if the unit is installed in Canada or the United States.

This factory warranty is nontransferable and may not be extended whatsoever by any of our representatives.

Installation must be done in accordance with the installation instructions included with the product and all local and national building and fire codes.

This limited warranty does not cover damages caused by misuse, lack of maintenance, accident, alterations, abuse or neglect and parts installed from other manufacturers will nullify this warranty.

This limited warranty further does not cover any scratches, dents, corrosion or discolouring caused by excessive heat, abrasive and chemical cleaners, mechanical breakage of logs and embers.

In the first year only, this warranty extends to the repair or replacement of warranted parts which are defective in material or workmanship provided that the product has been operated in accordance with the operation instructions and under normal conditions.

After the first year, with respect to this Limited Warranty, NAPOLEON may, at its discretion, fully discharge all obligations with respect to this warranty by refunding to the original warranted purchaser the wholesale price of any warranted but defective part(s).

After the first year, NAPOLEON will not be responsible for installation, labour or any other costs or expenses related to the reinstallation of a warranted part, and such expenses are not covered by this warranty.

Notwithstanding any provisions contained in this Limited Warranty, NAPOLEON'S responsibility under this warranty is defined as above and it shall not in any event extend to any incidental, consequential or indirect damages.

This warranty defines the obligations and liability of NAPOLEON with respect to the NAPOLEON gas appliance and any other warranties expressed or implied with respect to this product, its components or accessories are excluded.

This limited warranty does not cover damages resulting from the use of components not supplied with the appliance, or the use of fuel other than those specified.

Any damages to appliance due to weather, long periods of dampness, condensation, damaging chemicals or cleaners will not be the responsibility of NAPOLEON.

The bill of sale or copy will be required together with a serial number and a model number when making any warranty claims from your authorized dealer. The warranty registration card must be returned within fourteen days to register the warranty.

NAPOLEON reserves the right to have its representative inspect any product or part thereof prior to honouring any warranty claim.

All parts replaced under the Limited warranty policy are subject to a single claim.

All parts replaced under the warranty will be covered for a period of 90 days from the date of their installation.

The manufacturer may require that defective parts or products be returned or that digital pictures be provided to support the claim. Returned products are to be shipped prepaid to the manufacturer for investigation. If a product is found to be defective, the manufacturer will repair or replace such defect.

Before shipping your appliance or defective components, your dealer must obtain an authorization number. Any merchandise shipped without authorization will be refused and returned to sender.

Shipping costs are not covered under this warranty.

Additional service fees may apply if you are seeking warranty service from a dealer.

Labour, travel, diagnostic tests, shipping and other related charges are not covered by this warranty.

ALL SPECIFICATIONS AND DESIGNS ARE SUBJECT TO CHANGE WITHOUT PRIOR NOTICE DUE TO ON-GOING PRODUCT IMPROVEMENTS.  
NAPOLEON IS A REGISTERED TRADEMARK OF WOLF STEEL LTD.

2.9C

Other Napoleon Products



Fireplace Inserts • Charcoal Grills • Gas Fireplaces • Waterfalls • Wood Stoves  
Heating & Cooling • Electric Fireplaces • Outdoor Fireplaces • Gas Grills



24 Napoleon Road, Barrie, Ontario, Canada L4M 0G8  
214 Bayview Drive, Barrie, Ontario, Canada L4N 4Y8  
103 Miller Drive, Crittenden, Kentucky, USA 41030  
7200 Trans Canada Highway, Montreal, Quebec, Canada H4T 1A3

Fireplaces / Heating & Cooling call: 705-721-1212 • Grills call: 705-726-4278  
[napoleonproducts.com](http://napoleonproducts.com)



INSTALLATEUR : LAISSEZ CE MANUEL AVEC L'APPAREIL.  
PROPRIÉTAIRE : CONSERVEZ CE MANUEL POUR CONSULTATION ULTÉRIEURE.  
NE LAISSEZ PAS LES ENFANTS OU AUTRES INDIVIDUS À RISQUE SEULS À PROXIMITÉ DE L'APPAREIL.



# INSTRUCTIONS D'INSTALLATION ET D'OPÉRATION

HOMOLOGUÉ SEON LES NORMES NATIONALES CANADIENNES ET AMÉRICAINES, Z21.97-2012 - CSA 2.41-2012.

## FOYER EXTÉRIEUR AU GAZ

CERTIFIÉ POUR CANADA ET LES ÉTATS-UNIS SELON LES MÉTHODES ANSI/CSA

### CONSIGNES DE SÉCURITÉ

#### **AVERTISSEMENT**

Si ces instructions ne sont pas suivies à la lettre, un incendie ou une explosion pourraient s'ensuivre, causant des dommages matériels, des blessures corporelles ou des pertes de vie. Veuillez lire attentivement les instructions d'installation, d'utilisation et d'entretien avant d'installer ou de réparer ce matériel.

- N'entreposez pas et n'utilisez pas d'essence ou autres liquides et vapeurs inflammables à proximité de cet appareil ou tout autre appareil.
- Une bouteille de propane qui n'est pas raccordée en vue de son utilisation, ne doit pas être entreposée dans le voisinage de cet appareil ou de tout autre appareil.

#### **DANGER**

- S'IL Y A UNE ODEUR DE GAZ:

1. N'allumez aucun appareil.
2. Coupez l'admission de gaz de l'appareil.
3. Éteindre toute flamme nue.
4. Si l'odeur persiste, éloignez-vous de l'appareil et appelez immédiatement le fournisseur de gaz ou le service d'incendie.

- L'installation et l'entretien doivent être faits par un installateur qualifié, une agence d'entretien ou le fournisseur.

Cet appareil doit être utilisé uniquement avec le type de gaz indiqué sur la plaque d'homologation. Cet appareil ne peut être converti à d'autres gaz, sauf si une trousse de conversion est utilisée.

**DANGER**

#### MONOXYDE DE CARBONE

Cet appareil peut produire du monoxyde de carbone, un gaz inodore.



L'utilisation de cet appareil dans des espaces clos peut entraîner la mort.

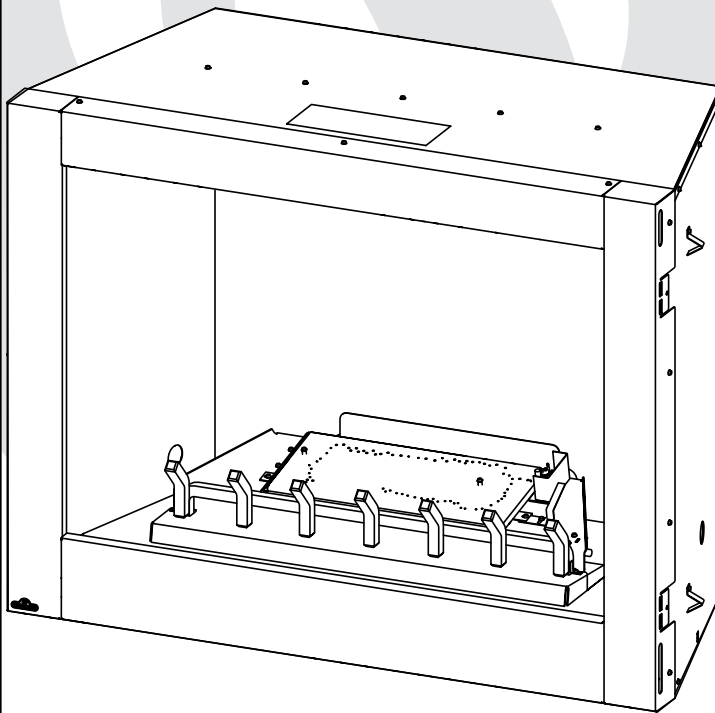
Ne jamais utiliser cet appareil dans un espace clos comme un véhicule de camping, une tente, une automobile ou une maison.

## GSS42CFN

MODÈLE AU GAZ NATUREL

## GSS42CFP

MODÈLE AU PROPANE



Produit décoratif : Ne pas utiliser comme appareil de chauffage.

**AVERTISSEMENT : POUR USAGE  
EXTÉRIEUR SEULEMENT.**



Wolf Steel Ltd., 24 Napoleon Rd., Barrie, ON, L4M 0G8 Canada /  
103 Miller Drive, Crittenden, Kentucky, USA, 41030

Téléphone 705-721-1212 • Télécopieur 705-720-9081 • www.napoleonfoyers.com • hearth@napoleonproducts.com

# TABLE DES MATIÈRES

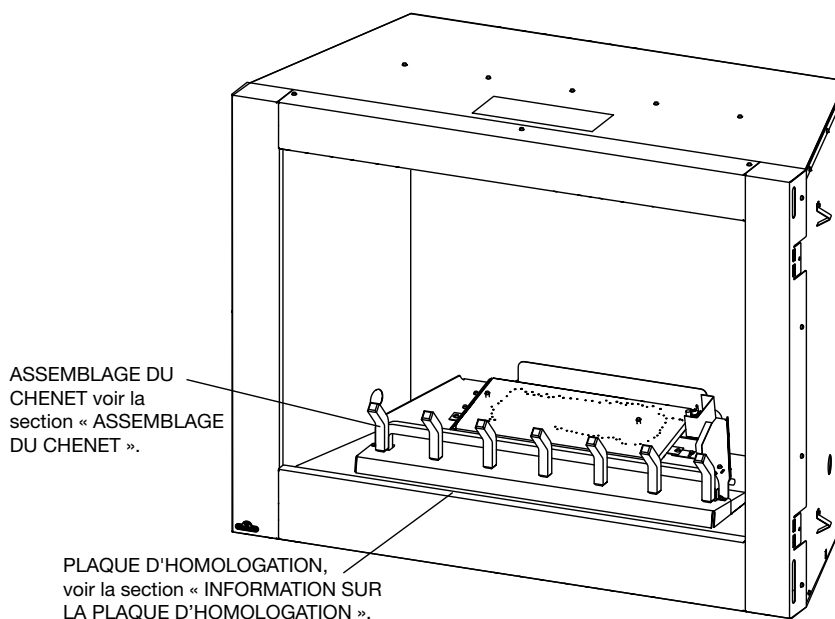


**NOTE:** L'icône du camera indique que les vidéos sont disponibles comme une référence supplémentaire, visitez <http://mynapoleon.napoleonproducts.com/download/index/44/1>

<b>1.0</b>	<b>VUE D'ENSEMBLE DE L'INSTALLATION</b>	<b>26</b>
<b>2.0</b>	<b>INTRODUCTION</b>	<b>27</b>
2.1	DIMENSIONS	28
2.2	INSTRUCTIONS GÉNÉRALES	28
2.3	INFORMATION GÉNÉRALE	29
2.4	INFORMATION SUR LA PLAQUE D'HOMOLOGATION	29
<b>3.0</b>	<b>INSTALLATION</b>	<b>30</b>
3.1	INSTALLATION DU GAZ	30
3.2	EMPLACEMENTS DE L'ENTRÉE DU GAZ	31
3.3	INSTALLATION DE L'INTERRUPTEUR MURAL OPTIONNEL	31
3.4	AIR COMBURANT ET DE VENTILATION	32
<b>4.0</b>	<b>OSSATURE</b>	<b>32</b>
4.1	DÉGAGEMENTS AUX MATÉRIAUX COMBUSTIBLES	32
4.2	DÉGAGEMENTS MINIMAUX DE L'ENCEINTE	34
4.3	DÉGAGEMENTS MINIMAUX DE LA TABLETTE	35
4.4	SUPPORT DE FIXATION	35
<b>5.0</b>	<b>FINITIONS</b>	<b>36</b>
5.1	DISPOSITION DES BÛCHES	36
5.2	BRAISES INCANDESCENTES (OPTIONELLE)	37
5.3	MORCEAUX DE CHARBON ET PIERRES DE LAVE	37
5.4	MISE EN PLACE DU LOGO	38
<b>6.0</b>	<b>INSTALLATION DU SYSTÈME DE COMMANDE À DISTANCE</b>	<b>38</b>
<b>7.0</b>	<b>FONCTIONNEMENT</b>	<b>39</b>
<b>8.0</b>	<b>RÉGLAGES</b>	<b>40</b>
8.1	RÉGLAGE DU VENTURI	40
8.2	CARACTÉRISTIQUES DE LA FLAMME	40
<b>9.0</b>	<b>ENTRETIEN</b>	<b>41</b>
<b>10.0</b>	<b>RECHANGES</b>	<b>42</b>
10.1	VUE D'ENSEMBLE ET DE L'ASSEMBLAGE DE LA SOUPAPE	43
<b>11.0</b>	<b>ACCESSOIRES</b>	<b>44</b>
<b>12.0</b>	<b>GUIDE DE DÉPANNAGE</b>	<b>45</b>
<b>13.0</b>	<b>GARANTIE</b>	<b>47</b>

**NOTE:** Changes, other than editorial, are denoted by a vertical line in the margin.

## 1.0 VUE D'ENSEMBLE DE L'INSTALLATION



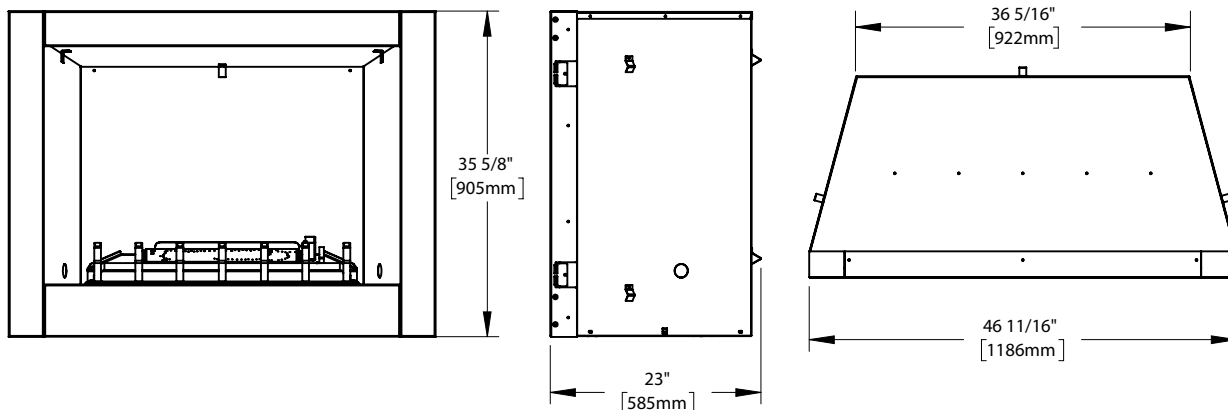
Les piles doivent être mises au rebut conformément aux lois et à la réglementation locales. Certaines piles peuvent être recyclées et acceptées dans votre centre de recyclage local. Renseignez-vous auprès de votre municipalité au sujet des directives de recyclage.

## 2.0 INTRODUCTION

### AVERTISSEMENT

- **CET APPAREIL EST CHAUD LORSQU'IL FONCTIONNE ET PEUT CAUSER DE GRAVES BRÛLURES EN CAS DE CONTACT.**
- Ne faites pas fonctionner l'appareil avant d'avoir lu et compris les instructions d'opération. Omettre d'utiliser l'appareil selon les instructions d'opération pourrait causer un incendie ou des blessures.
- Toute modification apportée à cet appareil ou aux contrôles peut être dangereux et est interdit.
- Risque de brûlures. L'appareil doit être éteint et refroidi avant d'effectuer un entretien.
- N'installez pas de composants endommagés ou incomplets ni des composants substitués.
- Risque de coupures et d'éraflures. Portez des gants protecteurs et des lunettes de sécurité lors de l'installation. Les bordures des pièces de métal peuvent être coupantes.
- Ne brûlez pas de bois ou autres matériaux dans cet appareil.
- Assurez-vous d'une quantité suffisante d'air de combustion et de ventilation. Prévoyez un accès suffisant pour entretenir et opérer l'appareil. N'obstruez jamais l'ouverture sur le devant de l'appareil.
- Si l'appareil s'éteint de façon répétitive, faites-le inspecter. Gardez le brûleur et le compartiment de contrôle propres.
- Ne laissez pas le vent souffler directement dans l'appareil. Évitez les courants d'air qui modifient l'apparence de la flamme.
- Les enfants et les adultes devraient être informés des dangers que posent les températures de surface élevées et se tenir à distance afin d'éviter des brûlures ou que leurs vêtements ne s'enflamment.
- Les jeunes enfants doivent être supervisés attentivement lorsqu'ils sont dans la même pièce que l'appareil. Les jeunes enfants et autres personnes sont sujets aux brûlures accidentelles. Une barrière de protection est recommandée s'il y a des personnes à risque à proximité de l'appareil. Afin de restreindre l'accès à l'appareil, installez une barrière de protection ajustable pour garder les jeunes enfants ou autres personnes à risque loin des surfaces chaudes.
- Les vêtements et autres matériaux combustibles ne doivent pas être posés sur l'appareil ou à proximité.
- En raison des températures élevées, l'appareil devrait être placé loin des endroits passants et loin des meubles et des rideaux.
- Les meubles ou autres objets doivent être gardés à une distance d'au moins 4 pieds (1.2m) du devant de l'appareil.
- Assurez-vous de disposer de mesures de sécurité adéquates pour empêcher les jeunes enfants de toucher aux surfaces chaudes.
- Même une fois que l'appareil est éteint, le pare-étincelles demeurera chaud pendant un temps prolongé.
- Consultez votre détaillant local de foyer pour connaître les grillages de sécurité et les écrans offerts pour protéger les enfants des surfaces chaudes. Ces grillages de sécurité et ces écrans doivent être fixés au plancher.
- Tout grillages de sécurité, écrans ou barrière enlevés pour faire l'entretien devront être remis en place avant d'utiliser l'appareil.
- Il est primordial de garder propres les compartiments de contrôle, les brûleurs, la soufflerie, les bouches d'air de l'appareil ainsi que le système d'évacuation. L'appareil doit être inspecté avant la première utilisation et au moins une fois l'an par un spécialiste en entretien. L'emplacement de l'appareil doit être gardé libre de tous matériaux combustibles, essence ou autres liquides et vapeurs inflammables.
- Cet appareil ne devra être modifié en aucun cas.
- N'utilisez pas cet appareil si une partie quelconque a été submergée. Contactez immédiatement un technicien de service qualifié pour inspecter l'appareil et pour remplacer toute pièce du système de contrôle et du contrôle du gaz qui aurait été submergée.
- Les matériaux d'emballage doivent être gardés hors de la portée des enfants et mis au rebut de façon sécuritaire. Comme tous les emballages de plastique, ceux-ci ne sont pas des jouets et doivent demeurer hors de la portée des enfants et des bébés.
- Seules les portes/façades certifiées pour cet appareil peuvent être utilisées avec cet appareil.
- Cet appareil ne doit pas être installé à l'intérieur ni dans une structure qui empêche la dissipation des gaz de combustion dans l'environnement extérieur.
- Une barrière conçu à réduire le risque de brûlures causées par le verre chaud est fourni avec l'appareil et sera installé.
- Si la barrière est endommagée, elle devra être remplacée par la barrière conçu par le fabricant pour cet appareil.
- L'installation et la réparation devraient être effectuées par un technicien qualifié. L'appareil et son système d'évacuation devraient être inspectés avant l'utilisation initiale et au moins une fois l'an par un professionnel qualifié. Un nettoyage plus réquent peut être requis en raison de la poussière excessive laissée par les moquettes, les couvertures, etc. Il est impératif que les compartiments de contrôle, le brûleur et les passages de circulation d'air soient gardés propres afin de fournir une combustion et une circulation d'air adéquates.

## 2.1 DIMENSIONS



## 2.2 INSTRUCTIONS GÉNÉRALES

<b>! AVERTISSEMENT</b>
<b>N'OBSTRUEZ JAMAIS L'OUVERTURE DE L'APPAREIL.</b>
<b>LES OBJETS PLACÉS DEVANT L'APPAREIL DOIVENT ÊTRE GARDÉS À UNE DISTANCE D'AU MOINS 48" (1219.2mm) DE LA FACE VITRÉE DE L'APPAREIL.</b>
<b>RISQUE D'INCENDIE OU D'EXPLOSION.</b>
<b>LES PRESSIONS ÉLEVÉES ENDOMMAGERONT LA SOUPE. L'ALIMENTATION EN GAZ DOIT ÊTRE DÉBRANCHÉE PENDANT LES ESSAIS DE PRESSION DE CE SYSTÈME LORSQUE LES PRESSIONS D'ESSAI EXCÈDENT 1/2 LB/PO<sup>2</sup> (3,5 KPA). FERMEZ LA SOUPE D'ARRÊT MANUELLE PENDANT TOUT ESSAI DE PRESSION DU SYSTÈME D'ALIMENTATION EN GAZ LORSQUE LA PRESSION EST DE 1/2 LB/PO<sup>2</sup> (3,5 mb) OU MOINS.</b>
<b>N'UTILISEZ QUE LES ACCESSOIRES OPTIONNELS ET LES PIÈCES DE RECHANGE APPROUVÉS PAR WOLF STEEL POUR CET APPAREIL. L'UTILISATION D'ACCESSOIRES NON LISTÉS (SOUFFLERIE, PORTES, PERSIENNES, MOULURES, COMPOSANTS DE GAZ, COMPOSANTS D'ÉVACUATION, ETC.) POURRAIT ÊTRE NON SÉCURITAIRE ET ANNULERA LA GARANTIE ET LA CERTIFICATION.</b>

**CE FOYER AU GAZ DEVRAIT ÊTRE INSTALLÉ ET ENTRETENU PAR UN INSTALLATEUR QUALIFIÉ** en se conformant aux codes locaux. Les pratiques d'installation peuvent varier d'une région à l'autre. Il est donc important de connaître les normes spécifiques qui s'appliquent à votre région. Par exemple dans l'état du Massachusetts :

- La soupape d'arrêt doit être un robinet à gaz avec une poignée en T.
- Le raccord flexible ne doit pas mesurer plus que 36 pouces (914.4mm).

L'installation doit se conformer aux codes locaux. En l'absence de codes locaux, l'installation doit être conforme au Code d'installation du gaz naturel et du propane CSA B149.1 au Canada ou le National Fuel Gas Code, ANSI Z223.1 / NFPA 54 aux États-Unis.

La soupape de l'appareil doit être débranchée de la ligne d'alimentation en gaz pendant les essais de pression de ce système lorsque les pressions d'essai excèdent 1/2 lb/po2 (3,5 kPa). L'appareil doit être séparé de la ligne d'alimentation en gaz en fermant la soupape d'arrêt manuelle pendant tout essai de pression du système d'alimentation en gaz lorsque la pression est de 1/2 lb/po2 (3,5 kPa) ou moins.

Lorsque l'appareil est installé directement sur une surface combustible autre que le bois, l'appareil devra être monté sur un panneau continu de métal ou de bois se prolongeant sur toute la largeur et la profondeur.

Les combustibles solides ne doivent pas être brûlés dans cet appareil



**NATIONAL FIREPLACE INSTITUTE**  
**NFI**  
**CERTIFIED**  
[www.nficertified.org](http://www.nficertified.org)

Nous suggérons que nos appareils au gaz soient installés et que l'entretien soit effectué par des professionnels certifiés par le National Fireplace Institute® (NFI) comme spécialiste du gaz NFI.

## 2.3 INFORMATION GÉNÉRALE

**POUR VOTRE SATISFACTION, CET APPAREIL A ÉTÉ MIS À L'ESSAI POUR CONFIRMER SON FONCTIONNEMENT ET SA QUALITÉ !**

RENDEMENTS ET EFFICACITÉS		
	NG	LP
Altitude (Pl)	0-2 000 *	0-2 000
Débit maximale (BTU/HR)	65 000	65 000
Pression minimale d'alimentation en gaz	4,5" (11mb) w.c.	11" (27mb) w.c.
Pression maximale d'alimentation en gaz	13" (32mb) w.c.	13" (32mb) w.c.
Pression au collecteur lorsque le gaz circule	3,5" (9mb) w.c.	10" (25mb) w.c.

\* Lorsque l'appareil est installé à des élévations dépassant 2 000 pieds, et en l'absence de recommandations spécifiques de l'autorité compétente locale, l'indice certifié du débit à haute altitude devra être réduit au taux de 4 % pour chaque 1 000 pieds supplémentaires.

Il est fortement recommandé de protéger les bûches contre l'humidité (pluie, neige). Recouvrez l'ouverture de l'appareil lorsqu'il n'est pas en fonction.

Cet appareil est conçu pour fonctionner avec le type de combustible indiqué sur la plaque d'homologation. Cet appareil ne peut être converti à un autre type de combustible à moins d'utiliser un ensemble de conversion certifié.

**Aucune alimentation électrique externe (110 volts ou 24 volts) n'est requise pour le fonctionnement du système.**

**Les bruits causés par l'expansion et la contraction lors des cycles de chauffage et de refroidissement sont tout à fait normaux et il faut s'y attendre.**

## 2.4 INFORMATION SUR LA PLAQUE D'HOMOLOGATION

<p>CERTIFIED UNDER / HOMOLOGUÉ SELON LES NORMES: ANSI Z21.97-2012 - CSA 2.41-2012. OUTDOOR GAS FIREPLACE / FOYER AU GAZ EXTÉRIEUR</p> <p><b>CAUTION</b> : THE GAS PRESSURE REGULATOR PROVIDED WITH THIS APPLIANCE MUST BE USED. THIS REGULATOR IS SET FOR AN OUTLET PRESSURE OF 3.4 INCHES WATER COLUMN FOR NG AND 10 INCHES WATER COLUMN FOR LP. THE GAS SUPPLY MUST BE TURNED OFF AT THE LP-GAS SUPPLY CYLINDER WHEN THIS APPLIANCE IS NOT IN USE. DO NOT STORE OR USE GASOLINE OR OTHER FLAMMABLE VAPOURS AND LIQUIDS IN THE VICINITY OF THIS OR ANY OTHER APPLIANCE. DO NOT CONNECT TO A REMOTE GAS SUPPLY. IMPROPER INSTALLATION, ADJUSTMENT, ALTERATION, SERVICE OR MAINTENANCE CAN CAUSE INJURY OR PROPERTY DAMAGE. REFER TO THE OWNER'S MANUAL PROVIDED WITH THIS APPLIANCE. FOR ASSISTANCE OR ADDITIONAL INFORMATION, CONSULT A QUALIFIED INSTALLER, SERVICE AGENCY OR GAS SUPPLIER. MUST NOT BE USED FOR COOKING. FOR OUTDOOR USE ONLY. IF STORED INDOORS, DETACH AND LEAVE CYLINDER OUTDOORS.</p>		<p>ATTENTION : LE RÉGULATEUR DE PRESSION DE GAZ FOURNI AVEC CET APPAREIL DOIT ÊTRE UTILISÉ. CE RÉGULATEUR EST RÉGLÉ POUR UNE PRESSION DE SORTIE DE 3.4 POUCES D'UNE COLONNE D'EAU POUR NG ET 10 POUCES D'UNE COLONNE D'EAU. LORSQUE CET APPAREIL N'EST PAS UTILISÉ, VOUS DEVEZ FERMER L'ALIMENTATION EN GAZ SUR LA BONBONNE DE PROPANE. N'ENTREPOSEZ PAS ET N'UTILISEZ PAS D'ESSENCE OU AUTRES LIQUIDES ET VAPEURS INFLAMMABLES À PROXIMITÉ DE CET APPAREIL, D'AUTRE APPAREIL. NE CONNECTEZ PAS À UNE FOURNITURE DE GAZ À DISTANCE. UNE INSTALLATION NON CONFORME, DES AJUSTEMENTS, DES ALTERATIONS, UN SERVICE OU UN ENTRETIEN INADÉQUATS PEUVENT CAUSER DES BLESSURES À LA PROPRIÉTÉ OU DES BLESSURES CORPORELLES. RÉFÉREZ-VOUS AU MANUEL D'INSTRUCTIONS FOURNI AVEC CET APPAREIL POUR DE L'ASSISTANCE OU POUR PLUS D'INFORMATION, CONSULTEZ UN INSTALLATEUR QUALIFIÉ, UNE AGENCE D'ENTRETIEN OU LE FOURNISSEUR DE GAZ. NE PAS UTILISER POUR LA CUISISON POUR USAGE EXTÉRIEUR SEULEMENT. SI ENTREPOSÉ À L'INTÉRIEUR, DÉTACHER LA BONBONNE DE PROPANE ET LA LAISSER À L'EXTÉRIEUR.</p>	
<p><b>DANGER</b> CARBON MONOXIDE HAZARD This appliance can produce carbon monoxide which has no odor. Using it in an enclosed space can kill you. Never use this appliance in an enclosed space such as a campsite, tent, car or house.</p>		<p><b>DANGER</b> MONOXYDE DE CARBONE Cet appareil peut produire du monoxyde de carbone, un gaz inodore. L'utilisation de cet appareil dans des espaces clos peut entraîner la mort. Ne jamais utiliser cet appareil dans un espace clos comme un site de camping, une tente, une automobile ou une maison.</p>	
<p>9700539 (WSL) <input type="checkbox"/> 4001658 (NAC) <input type="checkbox"/></p> <p>GSS42CFN <input type="checkbox"/> MODEL <input type="checkbox"/> GSS42CFP</p> <p>0-4500FT (0-1370m) ALTITUDE / ELEVATION 0-4500FT (0-1370m) 65,000 BTU/h INPUT / ALIMENTATION 65,000 BTU/h 40,000 BTU/h REDUCED INPUT / ALIMENTATION RÉDUITE 50,000 BTU/h</p>		<p>4001657 (NGZ) <input type="checkbox"/> 4001659 (WUSA) <input type="checkbox"/></p> <p>MANIFOLD PRESSURE: 3.5" WATER COLUMN PRESSION AU COLLECTEUR: 3.5" D'UNE COLONNE D'EAU MINIMUM SUPPLY PRESSURE: 4.5" WATER COLUMN PRESSION D'ALIMENTATION MINIMALE: 4.5" D'UNE COLONNE D'EAU MAXIMUM SUPPLY PRESSURE: 7.0" WATER COLUMN PRESSION D'ALIMENTATION MAXIMALE: 7.0" D'UNE COLONNE D'EAU</p>	
<p><b>NOT FOR USE WITH SOLID FUEL.</b> <b>WARNING:</b> THIS FIREPLACE USES AND REQUIRES A FAST ACTING THERMOCOUPLE. REPLACE ONLY WITH A FAST ACTING THERMOCOUPLE SUPPLIED BY WOLF STEEL LTD. DO NOT ADD ANY MATERIAL TO THE APPLIANCE, WHICH WILL COME IN CONTACT WITH THE FLAMES, OTHER THAN THAT SUPPLIED BY THE MANUFACTURER WITH THE APPLIANCE.</p>		<p><b>UN COMBUSTIBLE SOLIDE NE DOIT PAS ÊTRE UTILISÉ AVEC CET APPAREIL</b> <b>AVERTISSEMENT:</b> CE FOYER UTILISE ET REQUIERT UN THERMOCOUPLE À ACTION RAPIDE. REMPLACEZ UNIQUEMENT AVEC UN THERMOCOUPLE À ACTION RAPIDE DE WOLF STEEL LTÉE. N'AJOUTEZ PAS À CET APPAREIL AUCUN MATÉRIEL DEVANT ENTRER EN CONTACT AVEC LES FLAMMES AUTRE QUE CELUI QUI EST FOURNI AVEC CET APPAREIL PAR LE FABRICANT.</p>	
<p>MINIMUM CLEARANCE TO COMBUSTIBLE MATERIALS: TOP 18" BACK FLOOR 0" MANTLE NON-COMBUSTIBLE SIDES 1" RECESSED DEPTH 23 1/4"</p> <p>SEE INSTALLATION INSTRUCTIONS FOR FRAMING CLEARANCES.</p>		<p>DÉGAGEMENTS MINIMAUX DES MATÉRIELUX COMBUSTIBLES: DESSUS 18" ARRIÈRE PLANCHER 0" MANTEAU INCOMBUSTIBLE CÔTÉS 1" PROFONDEUR DE L'ENCAVE 23 1/4"</p> <p>POUR LES DÉGAGEMENTS AUX MATÉRIELUX D'OSSATURE, VOIR LE MANUEL D'INSTRUCTIONS.</p>	
<p>WOLF STEEL LTD. 24 NAPOLEON ROAD, BARRIE, ON, L4M 0G8 CANADA</p>		<p>SERIAL NUMBER/NO. DE SÉRIE: GSS42</p>	

**INSTALLATEUR :** Il est de votre responsabilité de cocher les cases appropriées sur la plaque d'homologation correspondant au modèle, au type d'évacuation et au type de gaz de l'appareil.

Pour l'emplacement de la plaque d'homologation, voir la section « VUE D'ENSEMBLE DE L'INSTALLATION ».

Cette illustration est à titre de référence seulement. Consultez la plaque d'homologation pour obtenir l'information précise.

**NOTE:** La plaque d'homologation doit rester avec l'appareil à tout instant. Il ne doit pas être enlevé.

## 3.0 INSTALLATION

### 3.1 INSTALLATION DU GAZ

#### **AVERTISSEMENT**

**RISQUE D'INCENDIE, D'EXPLOSION OU D'ASPHYXIE. ASSUREZ-VOUS QU'IL N'Y AIT AUCUNE SOURCE D'ALLUMAGE COMME DES ÉTINCELLES OU UNE FLAMME NUE.**

**SOUTENEZ LE CONTRÔLE DU GAZ LORSQUE VOUS ATTACHEZ LE TUYAU POUR ÉVITER DE PLIER LA CONDUITE DE GAZ.**

**ALLUMEZ TOUJOURS LA VEILLEUSE, QUE CE SOIT POUR LA PREMIÈRE FOIS OU LORSQUE L'APPROVISIONNEMENT EN GAZ EST ÉPUISÉ, AVEC LA PORTE VITRÉE OUVERTE OU RETIRÉE. LA PURGE DOIT ÊTRE EFFECTUÉE PAR UN TECHNICIEN QUALIFIÉ. ASSUREZ-VOUS QUE L'ARRIVÉE DE GAZ AU BRÛLEUR EST CONTINUE AVANT DE FERMER LA PORTE. ASSUREZ-VOUS D'UNE VENTILATION ADÉQUATE. POUR LES EMPLACEMENTS DE L'ENTRÉE DU GAZ ET DE L'ENTRÉE ÉLECTRIQUE, VOIR LA SECTION « DIMENSIONS ».**

**LORSQUE LE BRANCHEMENT EST TERMINÉ, TOUS LES RACCORDS DE GAZ DOIVENT SE TROUVER À L'INTÉRIEUR DU FOYER.**

**LES PRESSIONS ÉLEVÉES ENDOMMAGERONT LA SOUPE. L'ALIMENTATION EN GAZ DOIT ÊTRE DÉBRANCHÉE PENDANT LES ESSAIS DE PRESSION DE CE SYSTÈME LORSQUE LES PRESSIONS D'ESSAI EXCÈDENT ½ LB/PO<sup>2</sup> (3,5 KPA).**

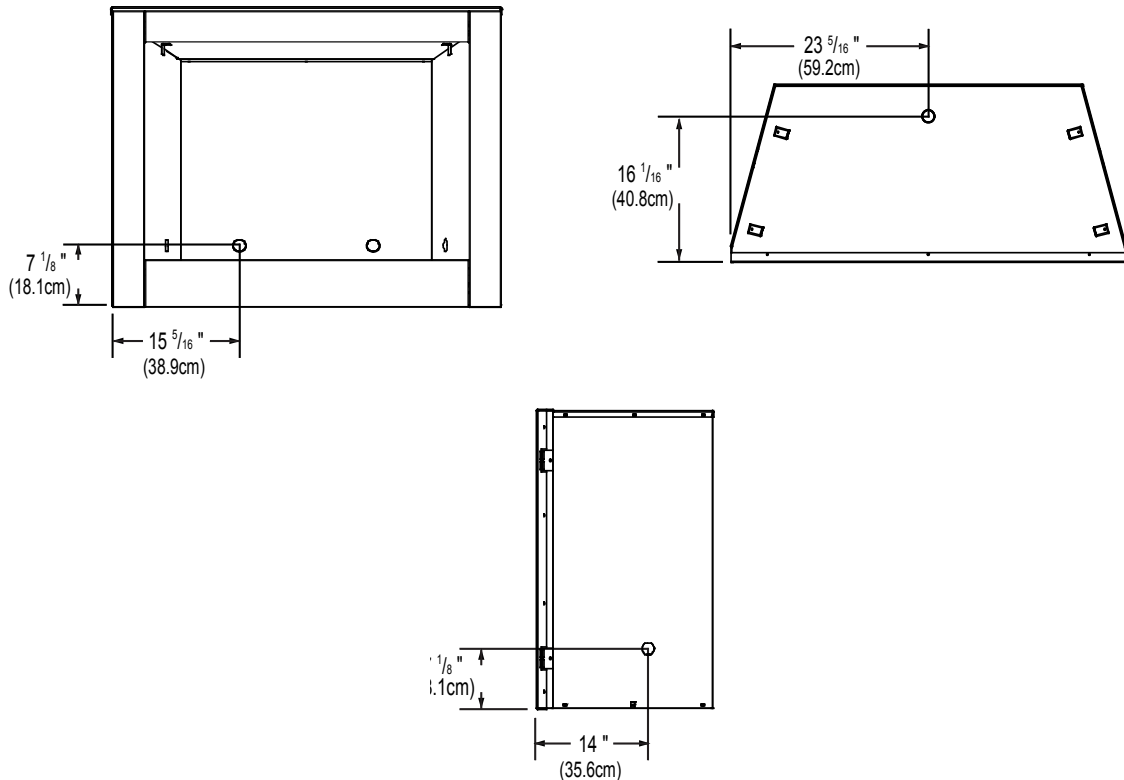
**LES RÉGLAGES DE LA SOUPE ONT ÉTÉ FAITS EN USINE; NE LES MODIFIEZ PAS.**

L'installation et l'entretien doivent être effectués par un installateur qualifié.

- Mettez l'appareil en place et fixez-le.
- Si l'appareil est muni d'un raccord flexible, celui-ci est conçu pour recevoir une conduite de gaz de 1/2" (13mm). Sans raccord flexible, l'appareil est conçu pour recevoir une conduite de gaz de 3/8" (9.5mm). L'appareil est muni d'une soupape d'arrêt manuelle pour fermer l'alimentation en gaz.
- Branchez le gaz en conformité avec les codes locaux. En l'absence de codes locaux, l'installation doit être conforme au Code d'installation du gaz CAN/CSA-B149.1 dans sa version pour le Canada ou le National Fuel Gas Code, ANSI Z223.1 / NFPA 54 pour les États-Unis.
- Lorsque vous manipulez des conduites de gaz, soutenez la soupape de gaz pour éviter que les conduites ne se plient.
- Le raccord flexible de l'alimentation en gaz devrait être suffisamment mobile pour permettre de placer l'assemblage du brûleur sur le côté.
- Vérifiez pour des fuites de gaz en appliquant une solution d'eau savonneuse. **N'utilisez pas une flamme nue.**

### 3.2 EMBLEMES DE L'ENTRÉE DU GAZ

Le caisson compte cinq emplacements pour l'entrée du gaz. Un de chaque côté de l'appareil, deux à l'arrière, et l'autre à la base. À l'aide des illustrations suivantes, déterminez l'emplacement idéal, puis enlevez la plaque poinçonnée.



FR

### 3.3 INSTALLATION DE L'INTERRUPTEUR MURAL OPTIONNEL

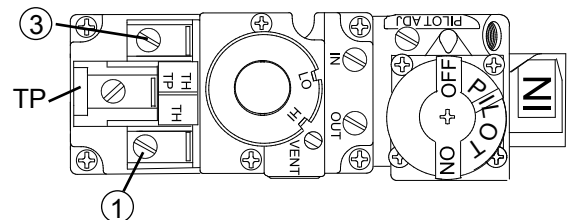
#### ⚠ AVERTISSEMENT

**NE RACCORDEZ PAS L'INTERRUPTEUR MURAL, LE THERMOSTAT OU LA SOUPAPE DE GAZ À L'ALIMENTATION ÉLECTRIQUE DE 110 VOLTS.**

Pour faciliter l'accès, un interrupteur mural ou un thermostat millivolt optionnel peut être installé à un endroit pratique. Passez un fil millivolt à deux brins (noyau solide) de la soupape à l'interrupteur mural ou au thermostat millivolt. La longueur maximale dépend du calibre du fil :

DIAMÈTRE DU FIL	LONGUEUR MAX.
calibre 14	100 pieds (30.5m)
calibre 16	60 pieds (18.3m)
calibre 18	40 pieds (12m)

Déconnectez les fils des bornes 1 et 3 (de l'interrupteur marche/arrêt) et remplacez-les par les fils de l'interrupteur mural/thermostat millivolt.



50.5

### 3.4 AIR COMBURANT ET DE VENTILATION

Cet appareil est conçu pour être installé à l'extérieur tel que sur un patio ou dans votre cour. Il ne doit jamais être installé à l'intérieur d'une structure fermée et étanche.

Il est fortement recommandé d'installer cet appareil dans un endroit protégé. Les vents directs causeront des flammes irrégulières et possiblement des pannes de veilleuse et de brûleur principal.

Des flammes irrégulières peuvent aussi causer des dépôts de carbone excessifs (suie noire). Cette condition ne compromet pas la sécurité de l'appareil, mais est visuellement indésirable.


Des installations typiques peuvent comprendre des patios recouverts, des vérandas avec moustiquaires, des gazebos ou des installations contre le mur extérieur de la maison.

**\* Si vous installez un appareil alimenté au propane, le réservoir de propane doit toujours être situé à l'extérieur de la structure.**

**NOTE : Assurez-vous que l'endroit possède une ventilation adéquate.**

## 4.0 OSSATURE

### 4.1 DÉGAGEMENTS AUX MATÉRIAUX COMBUSTIBLES

 <b>AVERTISSEMENT</b>
<b>RISQUE D'INCENDIE!</b>
<b>AFIN D'ÉVITER LA POSSIBILITÉ QUE DE L'ISOLATION OU UN COUPE-VAPEUR ENTRENT EN CONTACT AVEC L'EXTÉRIEUR DU CAISSON, IL EST CONSEILLÉ D'INSTALLER L'APPAREIL CONTRE DES MURS FINIS (C.-À-D. PANNEAU DE GYPSE) COMME TOUT AUTRE MUR DE LA MAISON. CECI ASSURERA QUE LE DÉGAGEMENT AUX MATÉRIAUX COMBUSTIBLES EST MAINTENU.</b>
<b>NE FAITES PAS D'ENTAILLES À L'OSSATURE AUTOUR DES ESPACEURS. NE PAS MAINTENIR LES DÉGAGEMENTS PEUT CAUSER UNE SURCHAUFFE ET UN INCENDIE. EMPÊCHEZ TOUT CONTACT AVEC DE L'ISOLANT QUI S'AFFAISSE, AVEC L'OSSATURE OU AVEC TOUT AUTRE MATÉRIAU COMBUSTIBLE. BLOQUEZ L'ENTRÉE DE L'ENCEINTE POUR EMPÊCHER L'INFILTRATION D'ISOLANT SOUFFLÉ. ASSUREZ-VOUS QUE L'ISOLATION ET LES AUTRES MATÉRIAUX SONT BIEN FIXÉS.</b>
<b>LORSQUE VOUS CONSTRUISEZ L'ENCEINTE, PRÉVOYEZ L'ÉPAISSEUR DES MATÉRIAUX DE FINITION POUR MAINTENIR LES DÉGAGEMENTS. SI L'OSSATURE OU LES MATÉRIAUX DE FINITION SE TROUVENT À UNE DISTANCE INFÉRIEURE À CELLE INDICQUÉE, ILS DOIVENT ÊTRE FAITS ENTIÈREMENT DE MATÉRIAUX NON COMBUSTIBLES. LES MATÉRIAUX FAITS ENTIÈREMENT D'ACIER, DE FER, DE BRIQUE, DE TUILE, DE BÉTON, D'ARDOISE, DE VERRE OU DE PLÂTRE, OU D'UNE COMBINAISON DE CES MATÉRIAUX, SONT APPROPRIÉS. LES MATÉRIAUX RÉPONDANT À LA NORME ASTM E 136, MÉTHODE DE TEST STANDARD DU COMPORTEMENT DES MATÉRIAUX DANS UNE FOURNAISE AVEC TUBE VERTICAL À 1382° F (750°C), ET À LA NORME UL763 SONT CONSIDÉRÉS COMME ÉTANT DES MATÉRIAUX NON COMBUSTIBLES.</b>
<b>AFIN D'ÉVITER UN RISQUE D'INCENDIE, LES DÉGAGEMENTS MINIMAUX AUX MATÉRIAUX COMBUSTIBLES DOIVENT ÊTRE MAINTENUS.</b>
<b>L'ENCEINTE DE L'APPAREIL DOIT RESPECTER LA HAUTEUR MINIMALE REQUISE. MESUREZ À PARTIR DE LA BASE DE L'APPAREIL.</b>
<b>SI DES ENSEMBLES DE MONTANTS EN ACIER AVEC PANNEAU DE CIMENT SONT FOURNIS, OU SPÉCIFIÉ DANS LES INSTRUCTIONS D'INSTALLATION, ILS DOIVENT ÊTRE INSTALLÉS.</b>
<b>SI SPÉCIFIÉ DANS LES INSTRUCTIONS D'INSTALLATION, LES MATÉRIAUX DE FINITION DOIVENT ÊTRE NON-COMBUSTIBLES PLACER ÉCLAT AVEC LE FACE DE L'APPAREIL ÉTENDUE DU SOMMET DE L'APPAREIL COMME LE CONSEIL DE CIMENT, LE CARREAU EN CERAMIQUE, LE MARBRE, ETC. NE PAS UTILISÉ DES BÛCHES OU LE CLOISON SECHE. N'IMPORTE QUEL FEU A ÉVALUÉ DU COLISON SÈCHE N'EST PAS ACCEPTABLE.</b>

71.1C

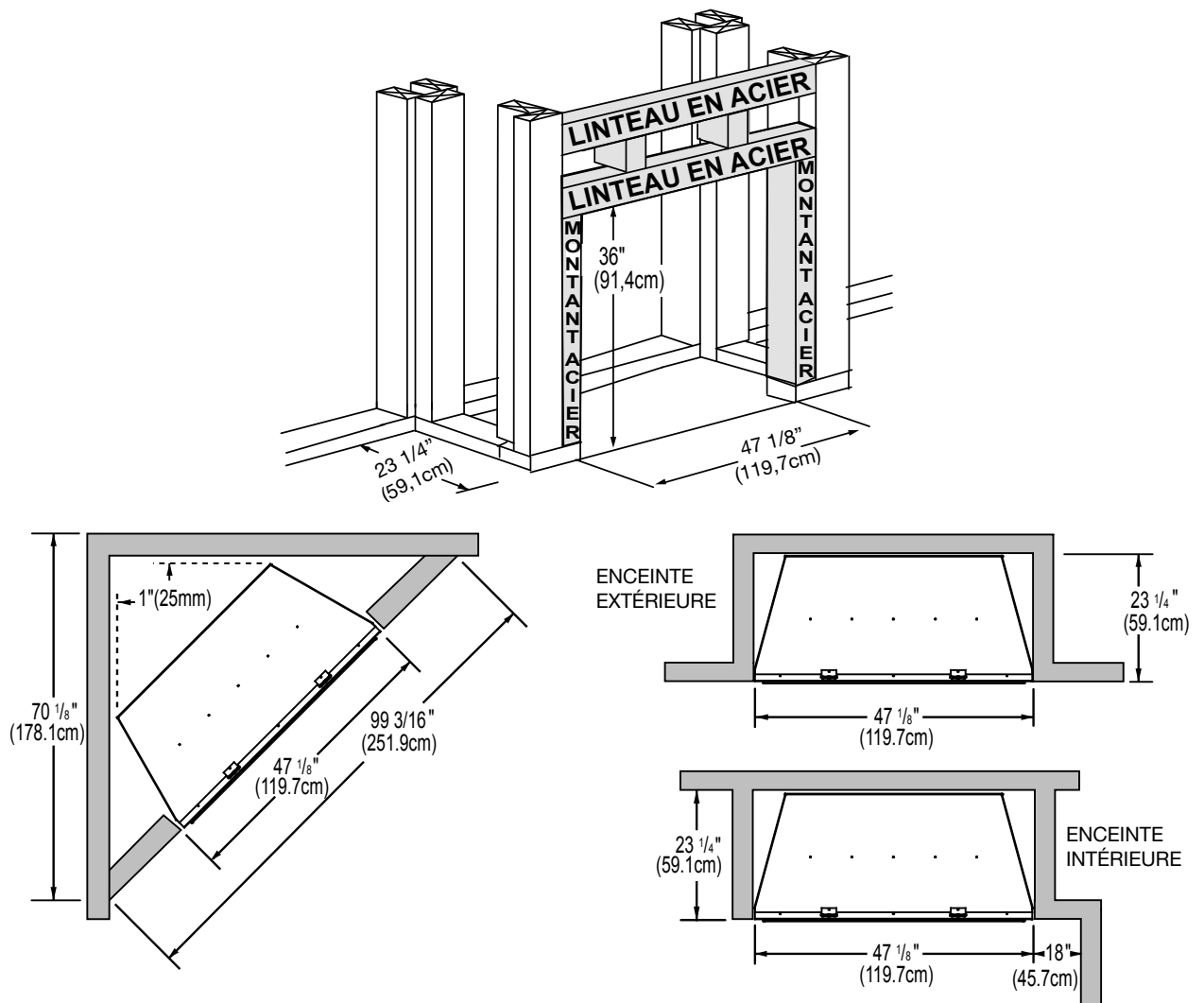


**Dégagements minimaux de l'appareil et des surfaces d'évacuation aux matériaux combustibles :**

Ossature	0" (0mm) aux espaceurs (à l'arrière et sur les côtés seulement) Utilisez un linteau en acier dans le haut et deux montants en acier sur les côtés.
Finitions	1" (25mm) à l'arrière et sur les côtés
Ossature incombustible	18" (45,7cm) du dessus 4" (102mm) sur les côtés de l'ouverture de l'appareil Des matériaux de finition incombustibles (p. ex. : panneau de ciment, brique, pierre, tuile) peuvent être utilisés pour finir la façade de l'appareil.
Profondeur de l'encave	23 1/4" (58,7cm)
Haut de l'enceinte	58 1/2" (148,6cm) du bas de l'appareil.
Dégagement du plafond	84" (213,4cm) du bas de l'appareil.

FR

Il est conseillé d'installer l'appareil contre des murs finis. Ceci assurera que les dégagements aux matériaux combustibles sont maintenus.

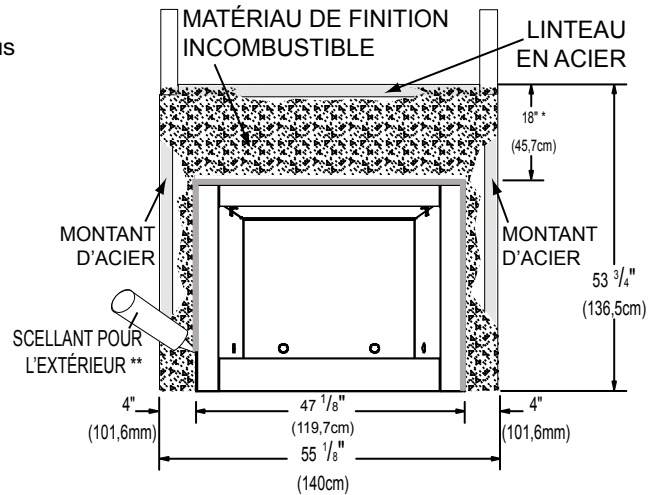


## ! AVERTISSEMENT

**LORSQUE VOUS FAITES LA FINITION JUSQU'À L'APPAREIL, N'UTILISEZ QU'UN MATÉRIAU INCOMBUSTIBLE TEL QU'UN PANNEAU DE CIMENT, DES CARREAUX DE CÉRAMIQUE, DU MARBRE, ETC. N'UTILISEZ PAS DE BOIS NI DE CLOISON SÈCHE.**

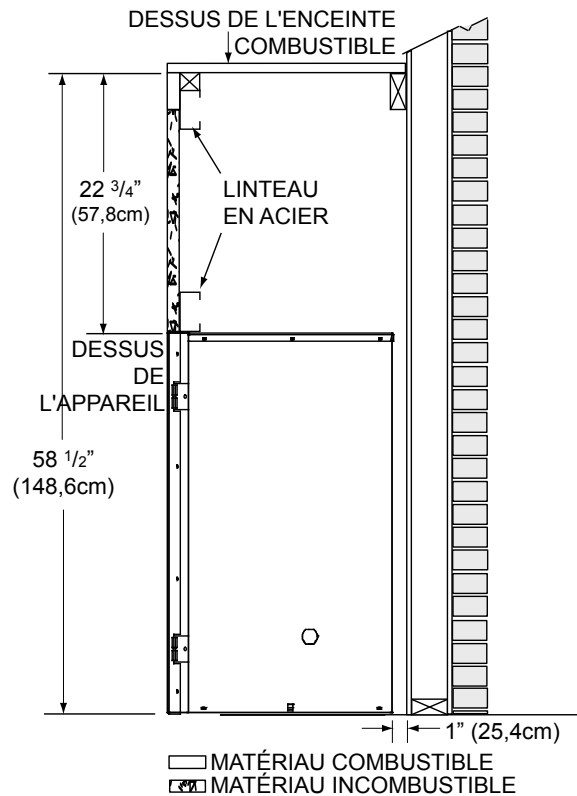
\* Du dessus de l'appareil.

\*\* Pour empêcher la pénétration d'eau dans l'enceinte, vous devez appliquer un scellant pour l'extérieur tout autour de l'appareil et le long des matériaux incombustibles.



\* Du haut de l'appareil

## 4.2 DÉGAGEMENTS MINIMAUX DE L'ENCEINTE



L'enceinte de l'appareil doit avoir une hauteur minimale de 58 1/2" (148,6cm).

Afin de respecter les contraintes de température, l'espace à l'intérieur de l'enceinte, autour de l'appareil et au-dessus, doit demeurer sans obstruction.

### 4.3 DÉGAGEMENTS MINIMAUX DE LA TABLETTE

**! AVERTISSEMENT**

**RISQUE D'INCENDIE. CONSERVEZ TOUS LES DÉGAGEMENTS AUX MATÉRIAUX COMBUSTIBLES SPÉCIFIÉS. NE PAS RESPECTER CES INSTRUCTIONS PEUT CAUSER UN INCENDIE OU UNE SURCHAUFFE. ASSUREZ-VOUS QUE TOUS LES DÉGAGEMENTS (ARRIÈRE, CÔTÉS, DESSUS, ÉVENTS, TABLETTE, FAÇADE, ETC.) SONT RESPECTÉS À LA LETTRE.**

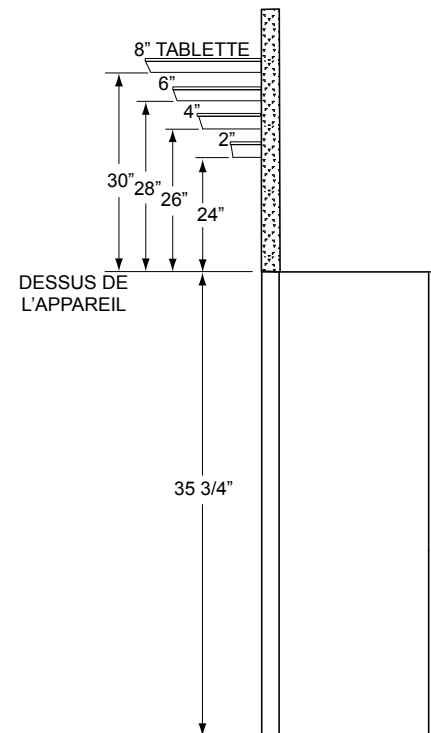
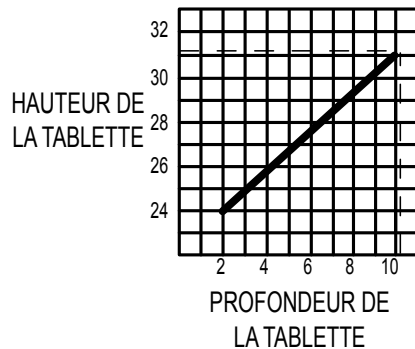
**LORSQUE VOUS UTILISEZ DE LA PEINTURE OU DU VERNIS COMME FINITION POUR VOTRE TABLETTE, ASSUREZ-VOUS QU'ILS SOIENT RÉSISTANTS À LA CHALEUR AFIN DE PRÉVENIR LA DÉCOLORATION.**

73.1

FR

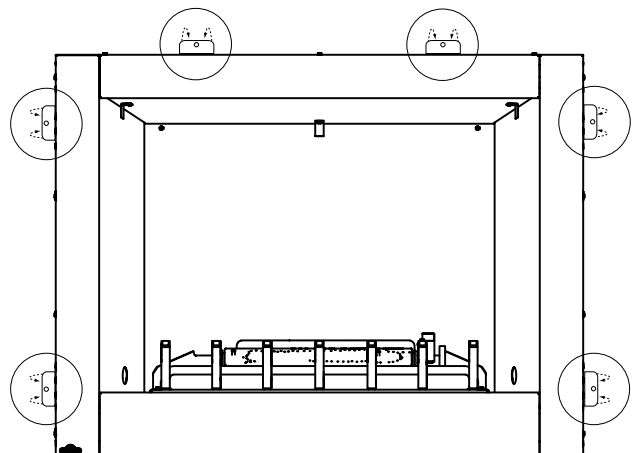
Nous vous recommandons d'installer une tablette faite d'un matériau incombustible. Si le matériau est combustible, veuillez respecter les indications du tableau ci-dessous.

**NOTE :** La tablette atteindra une température au-delà de la normale, alors elle pourra être chaude au toucher.



### 4.4 SUPPORT DE FIXATION

Pour installer la façade de l'appareil à égalité avec la surface finie, positionnez les montants d'ossature de façon à prévoir l'épaisseur de la surface finie. Dépliez les six supports de fixation qui se trouvent sur le dessus et de chaque côté de l'appareil et fixez-les aux 2x4. Les supports de fixation faciliteront l'installation d'une surface de finition de 1/2" (12,7mm) ou de 3/4" (19,1mm) d'épaisseur.



## 5.0 FINITIONS

### 5.1 DISPOSITION DES BÛCHES

#### ⚠ AVERTISSEMENT

OMETTRE DE POSITIONNER LES BÛCHES CONFORMÉMENT AUX SCHÉMAS OU OMETTRE D'UTILISER UNIQUEMENT DES BÛCHES SPÉCIFIQUEMENT APPROUVÉES POUR CET APPAREIL PEUT CAUSER DES DOMMAGES MATÉRIELS OU DES BLESSURES CORPORELLES.

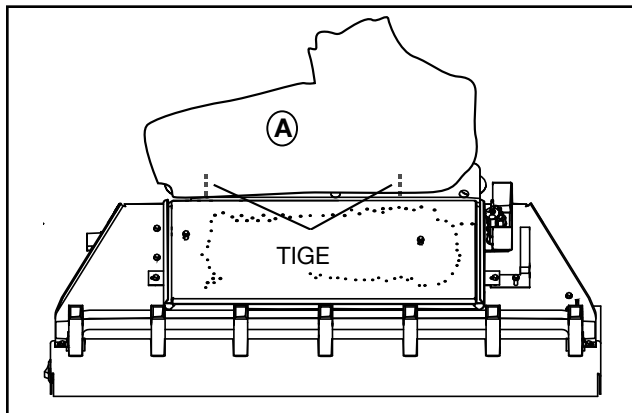
LES BÛCHES DOIVENT ÊTRE PLACÉES CORRECTEMENT À L'INTÉRIEUR DE L'APPAREIL. NE CHANGEZ PAS LA POSITION DES BÛCHES CAR L'APPAREIL RISQUE DE NE PAS FONCTIONNER ADÉQUATEMENT ET UN RETARD D'ALLUMAGE RISQUE DE SE PRODUIRE.

LES BÛCHES SONT FRAGILES ET DEVRAIENT ÊTRE MANIPULÉES AVEC SOIN.

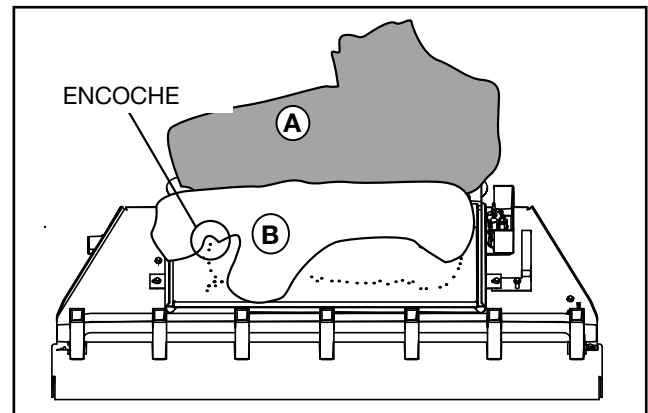
76.1A

Les bûches PHAZER<sup>MD</sup> et les braises incandescentes, exclusives aux appareils Napoléon®, créent un effet incandescent réaliste et unique qui est différent dans chaque installation. Prenez le temps de bien installer les braises incandescentes pour obtenir le meilleur effet possible.

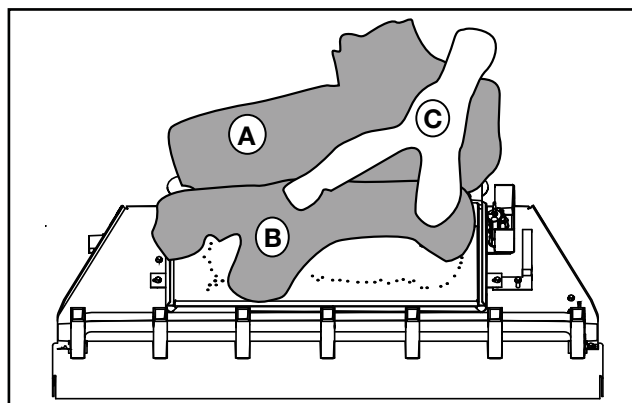
La couleur des bûches peut varier. Lors de la première utilisation de l'appareil, les couleurs deviendront plus uniformes à mesure que leurs pigments seront « absorbés » pendant le procédé de « cuisson ».



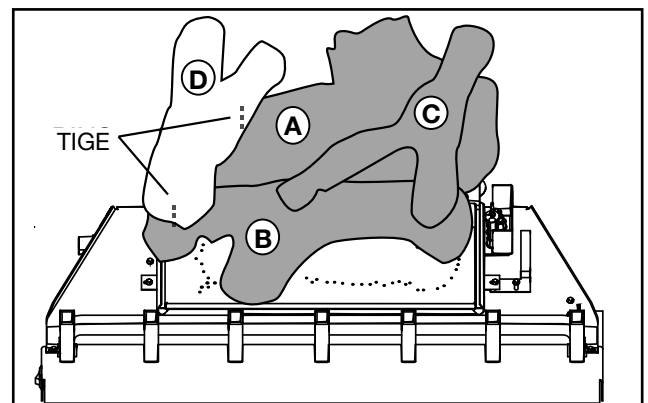
- A.** Placez la bûche arrière (W135-0668) sur les tiges de positionnement situées le long de l'arrière du brûleur.



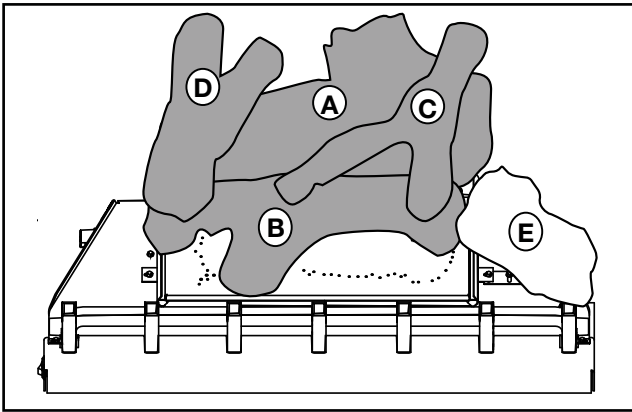
- B.** Placez la bûche centrale (W135-0669) sur les tiges de positionnement du brûleur. Assurez-vous de positionner la bûche de façon à ce que son encoche dégage bien les orifices du brûleur.



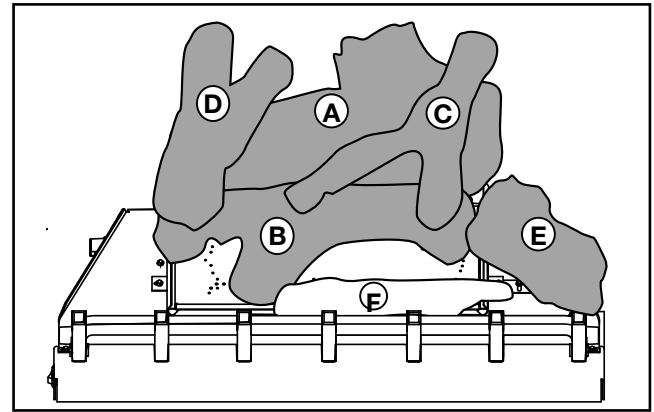
- C.** Placez l'extrémité de la bûche croisé (W135-0672) à droite du noeud de bûche A. La fourche de la bûche devrait contourner le noeud sur le dessus du bûche B.



- D.** Insérez la tige aux côté gauche de bûche A et une tige daux côté gauche de bûche B. Placez le côté gauche de bûche (W135-0671) sur les tiges aux côtés gauche de bûches A et B.



- E. Placez la fente dans le bas de la bûche droite (W135-0670) sur le support à droite du brûleur, le côté carbonisé vers l'avant.



- F. Placez la bûche F (W135-0481) en avant des orifices du brûleur, laissez-la reposer contre l'arrière de l'ensemble grille.

FR

### IMPORTANT

IL EST FORTEMENT RECOMMANDÉ DE PROTÉGER LES BÛCHES CONTRE L'HUMIDITÉ.  
COUVREZ L'OUVERTURE DE L'APPAREIL LORSQU'IL N'EST PAS EN FONCTION.

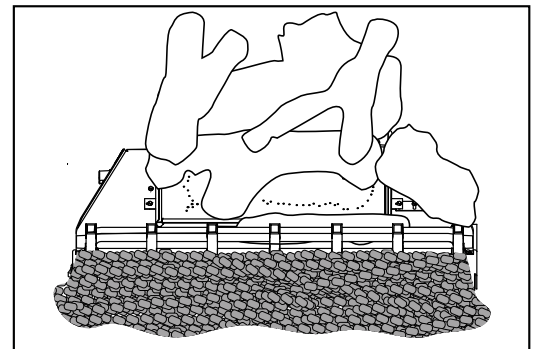
## 5.2 BRAISES INCANDESCENTES (OPTIONELLE)

Déchirez les braises incandescentes en morceaux et placez-les le long de la première rangée des orifices du brûleur en couvrant toute la surface à l'avant des petites bûches. Les braises devraient être déchirées très soigneusement en petits morceaux *minces* irréguliers, car seuls les côtés exposés des fibres deviendront incandescents. **Les braises seront incandescentes seulement lorsqu'elles sont exposées à une flamme directe; cependant, prenez bien garde de ne pas boucher les orifices du brûleur.**

Le blocage des orifices du brûleur peut créer une flamme irrégulière, des dépôts de carbone et un retard d'allumage. Les bûches **PHAZER<sup>MD</sup>** rougeoient lorsqu'elles sont exposées à une flamme directe. N'utilisez que des braises incandescentes et des bûches certifiées **PHAZER<sup>MD</sup>**, disponibles chez votre

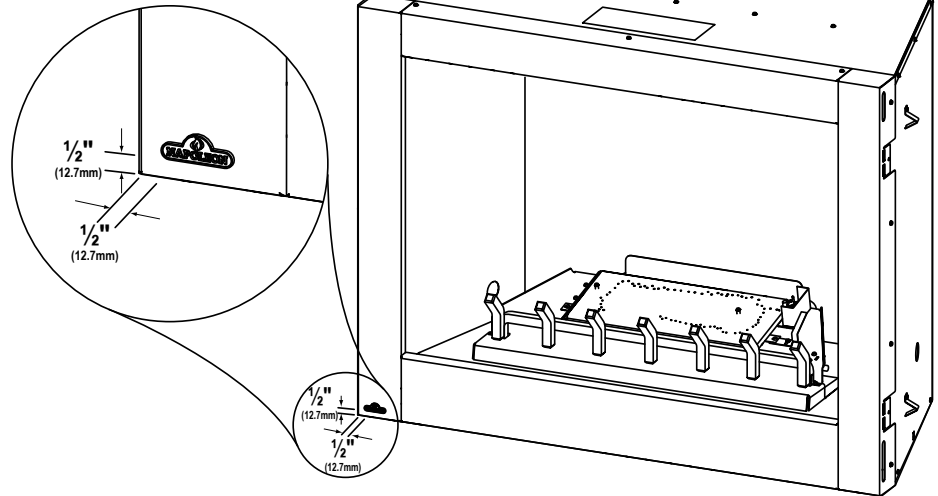
## 5.3 MORCEAUX DE CHARBON ET PIERRES DE LAVE

- A. Placez les pierres de lave autour de la base de l'appareil en vous assurant de ne pas bloquer les orifices du brûleur ou l'accès à la soupape. Conservez une petite quantité de pierres de lave pour l'étape C.
- B. Placez les morceaux de charbon de bois autour de l'avant et des côtés de l'appareil.
- C. Mélangez le reste des pierres de lave avec les morceaux de charbon.

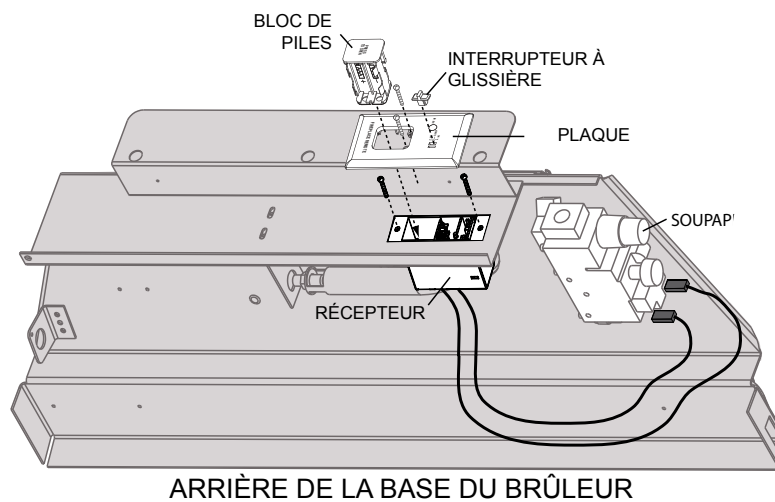


## 5.4 MISE EN PLACE DU LOGO

Retirer le papier dorsal du logo fourni. Centrer le logo sur l'avant de l'appareil, 1/2" (12,7mm) à partir de la gauche, comme illustré.



## 6.0 INSTALLATION DU SYSTÈME DE COMMANDE À DISTANCE



ARRIÈRE DE LA BASE DU BRÛLEUR

- A. Enlever le bloc de batteries du récepteur, puis par tirer sur le couvercle du récepteur glissez le récepteur au trou à l'arrière de la base du brûleur. Fixez avec deux des vis fournies.
- B. Fixez la plaque sur la boîte de dérivation avec deux des vis fournies.
- C. Insérez les piles dans le bloc de batteries de commande à distance. Passez ensuite le bloc de batteries dans l'ouverture de la plaque, puis glissez-le dans le récepteur. La boîte de batteries est retenu en place par un mécanisme de loquet. Pour fixer le bloc de batteries, poussez-le dans le mécanisme.
- D. Insérez le commutateur à glissière à l'endroit indiqué sur la plaque.
- E. Remplacez les fils de l'interrupteur existant, branchés aux bornes TH/TP et TH de la soupape, par ceux qui partent de le récepteur.

**NOTE :** L'interrupteur de commande à distance sur le côté de l'appareil n'est plus fonctionnel.

**AVERTISSEMENT :** L'émetteur et le récepteur ne sont pas étanches. S'assurer que les deux composants ne soient pas exposés à l'eau.

## 7.0 FONCTIONNEMENT

### AVERTISSEMENT

**SI CES INSTRUCTIONS NE SONT PAS SUIVIES À LA LETTRE, UN INCENDIE OU UNE EXPLOSION POURRAIENT S'ENSUIVRE, CAUSANT DES DOMMAGES MATÉRIELS, DES BLESSURES**

Lorsqu'il est allumé pour la première fois, l'appareil dégagera une légère odeur pendant quelques heures. Cela est une condition normale temporaire causée par le conditionnement des bûches et l'évaporation des peintures et lubrifiants internes utilisés dans le processus de fabrication; elle ne se reproduira plus. Après de longues périodes sans utiliser l'appareil, comme à la suite de vacances ou à la fin de l'été, il se peut qu'une légère odeur se dégage pendant quelques heures. Ceci est causé par des particules de poussière brûlant dans l'échangeur de chaleur. Dans les deux cas aérer la zone.






#### **POUR VOTRE SÉCURITÉ, LISEZ CE QUI SUIT AVANT D'ALLUMER L'APPAREIL :**

- A. Cet appareil est muni d'une veilleuse qui doit être allumée manuellement tout en suivant ces instructions à la lettre.
- B. Avant d'allumer, sentez autour de l'appareil et près du plancher afin de vous assurer qu'il n'y a pas de fuite de gaz. Certains gaz sont plus lourds que l'air et se déposeront au niveau du plancher.
- C. N'utilisez que votre main pour tourner le bouton de contrôle du gaz. N'utilisez jamais d'outils. Si le bouton ne tourne pas manuellement, n'essayez pas de le réparer. Appelez un technicien de service qualifié. Forcer le bouton ou tenter de réparer le mécanisme pourrait causer un feu ou une explosion.
- D. N'utilisez pas cet appareil si une partie quelconque a été submergée. Contactez immédiatement un technicien de service qualifié pour l'inspecter et pour remplacer toute pièce du système de contrôle et du contrôle du gaz qui aurait été submergée.


#### **QUE FAIRE SI VOUS DÉTECTEZ UNE ODEUR DE GAZ :**

- N'utilisez pas de téléphone cellulaire ou autre téléphone.
- Si vous ne pouvez pas rejoindre votre fournisseur de gaz, contactez le service des incendies.
- N'allumez aucun appareil.
- De la maison d'un voisin, appelez immédiatement votre fournisseur de gaz et suivez ses instructions.
- Coupez l'alimentation en gaz à l'appareil.

#### **INSTRUCTIONS D'ALLUMAGE :**

1. Arrêtez! Lisez les consignes de sécurité ci-dessus.
2. Tournez le bouton de contrôle du gaz vers la droite  à « OFF ».
3. Attendez cinq (5) minutes pour que le gaz puisse s'échapper. Si vous détectez une odeur de gaz, y compris au niveau du plancher, ARRÊTEZ! et suivez les instructions ci-dessus « Que faire si vous détectez une odeur de gaz ». Continuez à l'étape suivante si vous ne sentez pas de gaz.
4. Si l'appareil est muni d'une soupape d'ajustement de flamme, tournez le bouton vers la droite  à «OFF».
5. Repérez la veilleuse située à l'avant de la bûche  arrière.
6. Tournez le bouton de contrôle du gaz vers la gauche  à « PILOT ».
7. Enfoncez et maintenez le bouton de contrôle du gaz pendant que vous allumez la veilleuse en appuyant sur le bouton-pression d'ignition. Gardez le bouton de contrôle du gaz enfoncé pendant une (1) minute, puis relâchez-le. Si la veilleuse ne reste pas allumée, répétez les étapes 3 à 7.
8. Lorsque la veilleuse est allumée, tournez le bouton de contrôle du gaz vers la gauche à « ON ».
9. Si l'appareil est muni d'une soupape d'ajustement de flamme, enfoncez et tournez  le bouton à «HIGH».
10. Si l'appareil est muni d'un interrupteur à distance, le brûleur principal peut ne pas s'allumer quand vous tournez la soupape de gaz à « ON » ou à « HIGH ». L'interrupteur à distance doit être à « ON » pour que le brûleur s'allume.

#### **INSTRUCTIONS POUR COUPER LE GAZ :**

Enfoncez légèrement le bouton de contrôle du gaz et tournez vers la droite  jusqu'à « OFF ». NE FORCEZ PAS.

47.9

FR

## 8.0 RÉGLAGES

### 8.1 RÉGLAGE DU VENTURI

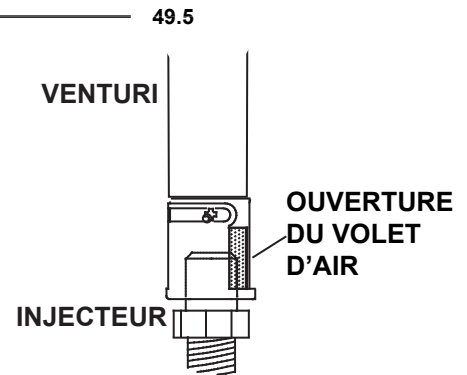
#### ! AVERTISSEMENT

**DU CARBONE PEUT SE DÉPOSER DANS DES ENDROITS DE SÉJOUR AVOISINANTS SI LE VOLET D'AIR N'EST PAS BIEN RÉGLÉ.**

L'ouverture du volet d'air a été préréglée en usine selon le tableau ci-dessous :

Indépendamment de l'orientation du venturi, plus le volet est fermé, plus la flamme est jaune et aura tendance à causer des dépôts de carbone. Plus le volet est ouvert, plus la flamme est bleue et plus elle a tendance à se détacher des orifices du brûleur. La flamme peut ne pas être jaune immédiatement; allouez de 15 à 30 minutes pour que la couleur finale de la flamme se stabilise.

**LE RÉGLAGE DU VOLET D'AIR DOIT ÊTRE EXÉCUTÉ PAR UN TECHNICIEN OU INSTALLATEUR QUALIFIÉ!**



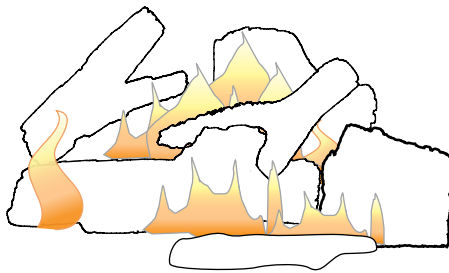
49.1

#### RÉGLAGE DU VENTURI

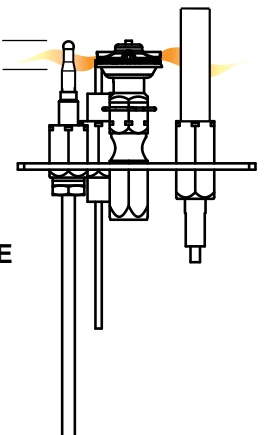
GN	1/8" (3.2mm)
PL	1/4" (6.4mm)

### 8.2 CARACTÉRISTIQUES DE LA FLAMME

Il est important d'effectuer périodiquement une inspection visuelle de la flamme de la veilleuse et du brûleur. Comparez-les à ces illustrations. Si des flammes paraissent anormales, contactez un technicien de service.



3/8" - 1/2"  
(9,5mm - 12,7mm)  
**LA FLAMME DOIT ENVELOPPER LA PARTIE SUPÉRIEURE DU THERMOCOUPLE ET DE LA THERMOPILE DE 3/8" À 1/2" (9,5mm - 12,7mm)**



54.2A



## 9.0 ENTRETIEN

<b>! AVERTISSEMENT</b>
<b>COUPEZ L'ALIMENTATION EN GAZ ET L'ALIMENTATION ÉLECTRIQUE AVANT DE PROCÉDER À L'ENTRETIEN DE L'APPAREIL.</b>
<b>L'APPAREIL PEUT ÊTRE CHAUD. ATTENDEZ QU'IL SOIT REFROIDI AVANT D'EN FAIRE L'ENTRETIEN.</b>
<b>N'UTILISEZ PAS DE PRODUITS ABRASIFS.</b>
<b>NE PEINTURE PAS L'ASSEMBLAGE DU VEILLEUSE.</b>

FR

**ATTENTION :** Lors de l'entretien des contrôles, assurez-vous d'identifier chacun des fils avant de les débrancher. Une réinstallation incorrecte des fils peut occasionner un mauvais fonctionnement et être dangereuse. Assurez-vous que l'appareil fonctionne adéquatement une fois l'entretien terminé. Cet appareil et son système d'évacuation devraient être inspectés avant la première utilisation et au moins une fois l'an par un technicien de service qualifié. L'espace entourant l'appareil doit être gardé propre et libre de matériaux combustibles, d'essence ou autres liquides et vapeurs inflammables. Les apports d'air comburant et d'air de convection ne doivent pas être obstrués.

1. Pour nettoyer le brûleur principal et la veilleuse adéquatement, il faut retirer les bûches, les roches ou la vitre afin de dégager les deux ensembles.
2. Gardez le compartiment des contrôles, les composants décoratifs, le brûleur, le volet d'air et l'espace entourant les bûches propres en brossant ou en passant l'aspirateur au moins une fois l'an.
3. Assurez-vous que tous les orifices des brûleurs produisent des flammes. Nettoyez tous les orifices qui n'ont pas de flamme ou dont la flamme ne brûle pas adéquatement.
4. Assurez-vous que la flamme de la veilleuse est assez puissante pour envelopper la sonde de flamme et/ou le thermocouple/thermopile et qu'elle atteigne le brûleur.
5. Remettez en place les bûches, les roches ou la vitre nettoyées. Omettre de positionner les composants décoratifs adéquatement peut causer des dépôts de carbone qui peuvent se déposer dans des endroits de séjour avoisinants.
6. Vérifiez si tous les orifices du brûleur principal sont allumés lorsque l'appareil est en marche. Un temps d'allumage total de 5 à 10 secondes est satisfaisant. Si l'allumage prend plus de temps, consultez votre détaillant autorisé.

40.16A

L'acier inoxydable a tendance à s'oxyder ou à tacher en présence de chlorures et de sulfures, particulièrement dans les zones côtières ainsi que dans les environnements chauds et humides tels que les piscines et les spas. Ces taches, considérées parfois comme de la rouille, peuvent être évitées et éliminées facilement. Pour ce faire, lavez les surfaces en acier inoxydable toutes les 3 à 4 semaines ou aussi souvent que nécessaire avec de l'eau fraîche ou un nettoyant à acier inoxydable.

### **NETTOYAGE DE LA SURFACE EN ACIER INOXYDABLE :**

N'utilisez pas de produits abrasifs ou de laine d'acier sur les pièces en acier inoxydable de votre appareil, ils égratigneront le fini. Les surfaces doivent être nettoyées avec de l'eau chaude savonneuse quand le métal est encore chaud au toucher. Pour nettoyer les surfaces en acier inoxydable, utilisez un nettoyant sans abrasif ou à acier inoxydable et frottez toujours dans le sens du grain. Les pièces en acier inoxydable vont décolorer de façon permanente sous l'effet de la chaleur pour habituellement prendre une teinte dorée ou brune. Cette décoloration est normale et n'affectera pas la performance de l'appareil.

81.1

Nous recommandons que le brûleur soit inspecté deux fois par an par un technicien qualifié. Le brûleur doit être remplacé avant l'appareil mis en service s'il est évident que le brûleur est endommagé. Utilisez seulement des pièces de rechange tel que fourni par le fabricant de l'appareil.

## 10.0 RECHANGES

### AVERTISSEMENT

OMETTRE DE POSITIONNER LES PIÈCES CONFORMÉMENT À CE MANUEL OU D'UTILISER UNIQUEMENT DES PIÈCES SPÉCIFIQUEMENT APPROUVÉES POUR CET APPAREIL PEUT CAUSER DES DOMMAGES MATÉRIELS OU DES BLESSURES CORPORELLES.

**\*\* CECI EST UN THERMOCOUPLE À ACTION RAPIDE QUI CONSTITUE UN COMPOSANT ESSENTIEL DE SÉCURITÉ. REMPLACEZ UNIQUEMENT PAR UN THERMOCOUPLE À ACTION RAPIDE DE WOLF STEEL LTÉE.**

Contactez votre détaillant pour les questions concernant les prix et la disponibilité des pièces de rechange. Normalement, toutes les pièces peuvent être commandées chez votre détaillant autorisé.

**POUR UN REMPLACEMENT DE PIÈCE SOUS GARANTIE, UNE PHOTOCOPIE DE LA FACTURE ORIGINALE SERA REQUISE AFIN DE POUVOIR HONORER LA DEMANDE.**

Lorsque vous commandez des pièces, donnez toujours l'information suivante :

- Modèle et numéro de série de l'appareil
- Date d'installation de l'appareil
- Numéro de la pièce
- Description de la pièce
- Fini

**PIÈCES, NUMÉRO DES PIÈCES ET S'IL SOIT DISPONIBILITÉ PEUT CHANGER SANS PRÉAVIS.**

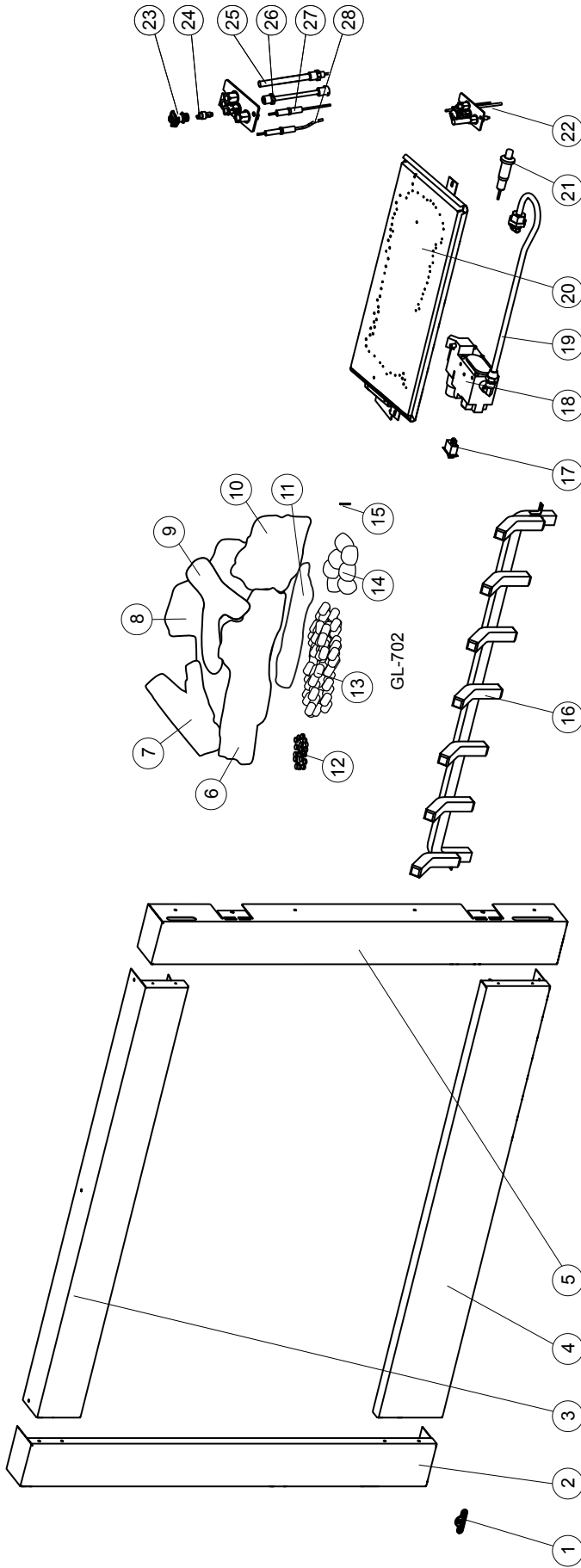
**PARTIES IDENTIFIÉES COMME GARNIE SERONT LIVRÉS DANS 2 À 5 JOURS POUR LA PLUPART DES DESTINATIONS DE LIVRAISON.**

**PIÈCES NON IDENTIFIÉES QUE STOCKÉS SERONT LIVRÉS DANS UN DÉLAI DE 2 À 4 SEMAINES.**

**PIÈCES IDENTIFIÉES COMME « SO » SONT COMMANDE SPÉCIALE ET PEUVENT PRENDRE JUSQU'À 90 JOURS POUR LA LIVRAISON.**

41.2B

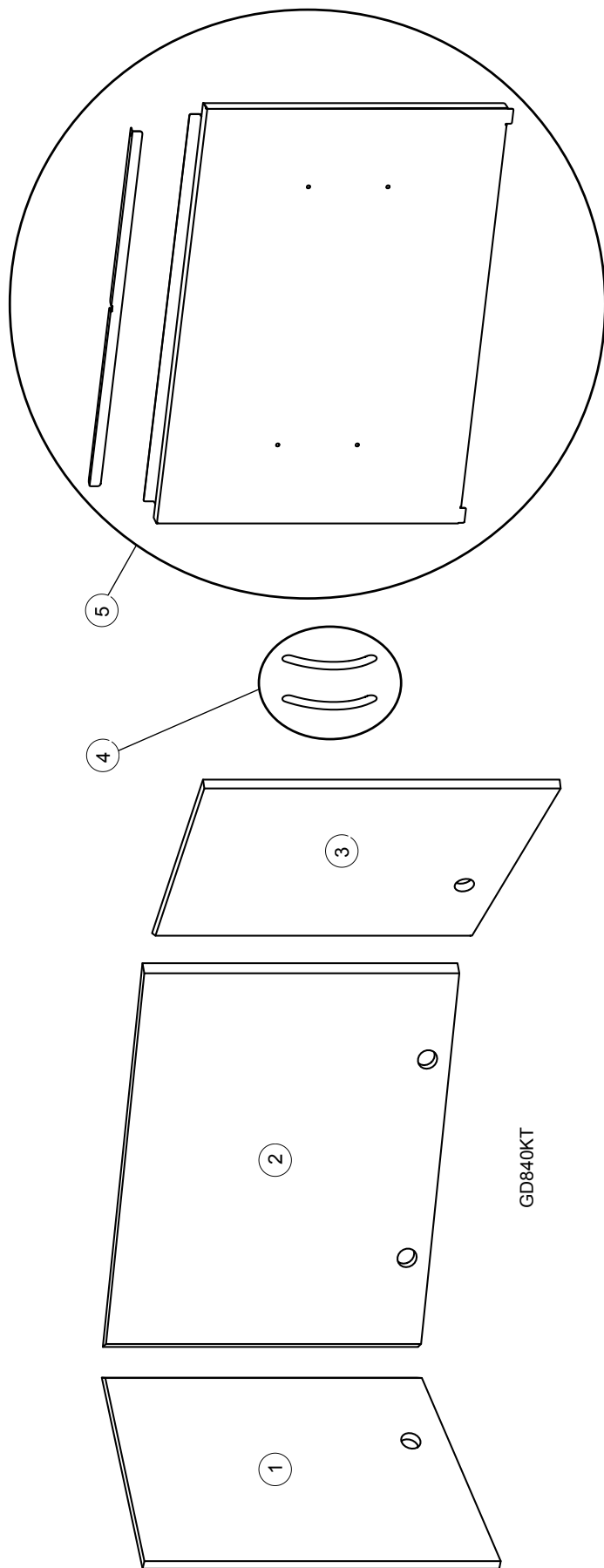
10.1 VUE D'ENSEMBLE ET DE L'ASSEMBLAGE DE LA SOUPAPE



CES ARTICLES PEUT DIFFÉRER DE CELLE ILLUSTRÉ

RÉF.	PART NO.	DESCRIPTION	EN STOCK	RÉF.	PART NO.	DESCRIPTION	EN STOCK
1	W385-2010	LOGO NAPOLEON	OUI	16	W010-3962	GRILLE	OUI
2	W280-0351	CHÂSSIS LATÉRALE GAUCHE		17	W660-0009	INTERRUPTEUR ON/OFF	OUI
3	W280-0350	CHÂSSIS SUPÉRIEURE		18	W725-0028	SOUPAPE (GN)	OUI
4	W280-0349	CHÂSSIS INFÉRIEURE		19	W432-0061	CONNECTEUR	
5	W280-0352	CHÂSSIS LATÉRALE DROITE		20	W010-1739-SER	ASSEMBLAGE DE BRÛLEUR	
6	W135-0669	BÛCHE CENTRALE (GL-702)		21	W357-0001	BOUTON D'ALLUMEUR	OUI
7	W135-0671	BÛCHE GAUCHE (GL-702)		22	W010-1194	ENSEMBLE DE VEILLEUSE (GN)	OUI
8	W135-0668	BÛCHE ARRIÈRE (GL-702)		23	W335-0039	HOTTE DU VEILLEUSE	OUI
9	W135-0672	BÛCHE CROISÉE (GL-702)		24	W455-0070	INJECTEUR DE VEILLEUSE #62 (GN)	OUI
10	W135-0670	BÛCHE DROITE (GL-702)		24	W455-0068	INJECTEUR DE VEILLEUSE #35 (PL)	OUI
11	W135-0691	BÛCHE SUPÉRIEURE CROISÉ (GL-702)		25	W680-0004	THERMOPILE	OUI
12	W361-0016	LES BRAISES LUISANTES	OUI	26	W720-0062	TUBE DE VEILLEUSE, RACCORD	OUI
13	W500-0006	PIERRES DE LAVE	OUI	27	W240-0006-SER	ALLUMEUR (AVEC FILS)	OUI
14	W500-0002	MORCEAUX DE CHARBON	OUI	28	W680-0005	THERMOCOUPLE	OUI
15	W485-0042	GOUPILLE DES BÛCHES	OUI				

## 11.0 ACCESSOIRES



CES ARTICLES PEUT DIFFÉRER DE CELLE ILLUSTRÉ

RÉF.	PART NO.	DESCRIPTION	EN STOCK	RÉF.	PART NO.	DESCRIPTION	EN STOCK
1	W475-0552	PANNEAUX DE BRIQUE GAUCHE		4	N325-0049	POIGNÉE DE PORTE (X2)	
2	W475-0553	PANNEAUX DE BRIQUE ARRIÈRE		5	GSS42COV	KIT DE COUVERTURE SAISONNIÈRE	
3	W475-0551	PANNEAUX DE BRIQUE DROITE					

# 12.0 GUIDE DE DÉPANNAGE

## ! AVERTISSEMENT

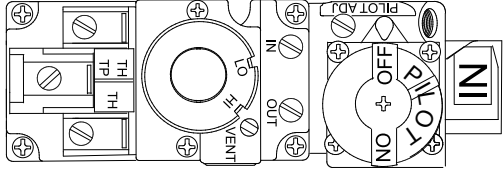
**ALLUMEZ TOUJOURS LA VEILLEUSE, QUE CE SOIT POUR LA PREMIÈRE FOIS OU LORSQUE L'APPROVISIONNEMENT EN GAZ EST ÉPUISÉ, AVEC LA PORTE VITRÉE OUVERTE OU RETIRÉE.**

**COUPEZ L'ALIMENTATION EN GAZ ET L'ALIMENTATION ÉLECTRIQUE AVANT DE PROCÉDER À L'ENTRETIEN DE L'APPAREIL.**

**L'APPAREIL PEUT ÊTRE CHAUD. N'EFFECTUEZ AUCUN ENTRETIEN JUSQU'À CE QUE L'APPAREIL SOIT REFROIDI.**

**N'UTILISEZ PAS DE NETTOYANTS ABRASIFS.**

SYMPTÔME	PROBLÈME	SOLUTIONS	
Le brûleur principal s'éteint; la veilleuse reste allumée.	La flamme de la veilleuse n'est pas assez puissante ou n'enveloppe pas la thermopile.	<ul style="list-style-type: none"> <li>- Augmentez la flamme de la veilleuse.</li> <li>- Remplacez l'assemblage de la veilleuse.</li> </ul>	
	La thermopile cause un court-circuit.	<ul style="list-style-type: none"> <li>- Nettoyez la connexion de la thermopile à la borne de la soupape et reconnectez.</li> <li>- Remplacez la thermopile ou la soupape.</li> </ul>	
	Le fil de l'interrupteur mural est trop long; trop de résistance dans le système.	<ul style="list-style-type: none"> <li>- Raccourcissez la longueur du fil ou changez le calibre du fil.</li> </ul>	
	Le thermostat ou l'interrupteur est défectueux.	<ul style="list-style-type: none"> <li>- Remplacez.</li> </ul>	
Le brûleur principal s'éteint; la veilleuse s'éteint.	Référez-vous à « LE BRÛLEUR PRINCIPAL S'ÉTEINT; LA VEILLEUSE RESTE ALLUMÉE ».		
La veilleuse s'éteint quand le bouton du gaz est relâché. <b>La soupape de gaz a un dispositif d'enclenchement qui ne permet à la veilleuse de s'allumer que lorsque le thermocouple est refroidi. Attendez au moins 60 secondes pour permettre au thermocouple de se refroidir.</b>	Le système n'est pas purgé correctement.	<ul style="list-style-type: none"> <li>- Purgez la conduite de gaz.</li> </ul>	
	Plus de propane.	<ul style="list-style-type: none"> <li>- Remplissez le réservoir.</li> </ul>	
	La flamme de la veilleuse n'est pas assez puissante.	<ul style="list-style-type: none"> <li>- Augmentez la flamme de la veilleuse.</li> </ul>	
	La flamme de la veilleuse n'enveloppe pas le thermocouple.	<ul style="list-style-type: none"> <li>- Tournez légèrement la tête de la veilleuse pour améliorer la flamme autour du thermocouple.</li> </ul>	
	Le thermocouple cause un court-circuit/est défectueux.	<ul style="list-style-type: none"> <li>- Desserrez et resserrez le thermocouple.</li> <li>- Nettoyez le thermocouple et la connexion à la borne de la soupape.</li> <li>- Remplacez le thermocouple.</li> <li>- Remplacez la soupape.</li> </ul>	
La soupape est défectueuse.	<ul style="list-style-type: none"> <li>- Remplacez la soupape.</li> </ul>		
La veilleuse brûle; pas de gaz au brûleur principal; le bouton du gaz est à « HI »; l'interrupteur mural/thermostat est à « ON ».	Le thermostat ou l'interrupteur sont défectueux.	<ul style="list-style-type: none"> <li>- Reliez un fil de dérivation entre les bornes de l'interrupteur mural; si le brûleur principal s'allume, remplacez l'interrupteur/thermostat.</li> </ul>	
	Le raccordement de l'interrupteur est défectueux.	<ul style="list-style-type: none"> <li>- Débranchez les fils de l'interrupteur et reliez un fil de dérivation entre les bornes 1 &amp; 3; si le brûleur principal s'allume, vérifiez si les fils ne sont pas défectueux ou remplacez les fils.</li> </ul>	
	L'injecteur du brûleur principal est bloqué.	<ul style="list-style-type: none"> <li>- Débloquez l'injecteur.</li> </ul>	
La soupape est défectueuse.	<ul style="list-style-type: none"> <li>- Remplacez la soupape.</li> </ul>		
La veilleuse ne s'allume pas.	 <p>VEILLEUSE THERMOPILE THERMOCOUPLE</p>	<ul style="list-style-type: none"> <li>- Vérifiez si la veilleuse peut être allumée avec une allumette.</li> <li>- Vérifiez si le fil est raccordé au bouton-pression d'ignition.</li> <li>- Vérifiez si le bouton-pression d'ignition doit être resserré.</li> <li>- Remplacez le fil si son isolant est brisé ou effiloché.</li> <li>- Remplacez l'électrode si l'isolateur de céramique est craqué ou brisé.</li> <li>- Remplacez le bouton-pression d'ignition.</li> </ul>	
		Plus de propane.	<ul style="list-style-type: none"> <li>- Remplissez le réservoir.</li> </ul>
		La longueur de l'étincelle est incorrecte.	<ul style="list-style-type: none"> <li>- La longueur de l'étincelle devrait être de 0,150" (3,8mm) à 0,175" (4,5mm) entre la pointe de l'électrode et le brûleur de la veilleuse. Pour que l'électrode soit bien placée, serrez l'écrou avec les doigts et tournez 1/4 de tour de plus.</li> </ul>
		Pas de gaz au brûleur de la veilleuse.	<ul style="list-style-type: none"> <li>- Vérifiez si la soupape manuelle est ouverte.</li> <li>- Vérifiez si l'injecteur de la veilleuse est bloqué.</li> <li>- Remplacez la soupape.</li> <li>- Contactez le fournisseur de gaz.</li> </ul>

SYMPTÔME	PROBLÈME	SOLUTIONS															
La veilleuse s'éteint alors qu'elle est en attente; le brûleur principal est à « OFF ».	La conduite de gaz est trop petite.	<ul style="list-style-type: none"> <li>- Allumez tous les appareils au gaz et vérifiez si la flamme de la veilleuse vacille, diminue ou s'éteint, surtout quand le brûleur principal s'allume. Vérifiez la pression d'alimentation.</li> <li>- Vérifiez si la grosseur de la conduite d'alimentation est conforme aux codes. Remplacez toutes les conduites trop petites.</li> </ul>															
Les flammes sont régulièrement trop grandes ou trop petites. Il y a des dépôts de carbone.	La pression du gaz est trop faible ou trop forte.	<ul style="list-style-type: none"> <li>- Vérifiez la pression :</li> <li>- Pour vérifier la pression d'arrivée, tournez deux ou trois fois la vis (A) vers la gauche, puis emboîtez le tube du manomètre sur la pointe d'essai. Le manomètre doit indiquer la pression comme décrit sur le diagramme ci-dessous. Assurez-vous que le brûleur principal fonctionne à « HI ».</li> <li>- La pression de sortie peut être vérifiée de la même façon en utilisant la vis (B). Le manomètre doit indiquer la pression comme décrit sur le diagramme ci-dessous. Assurez-vous que le brûleur principal fonctionne à « HI ».</li> <li>- <b>APRÈS AVOIR PRIS LA LECTURE DES PRESSIONS, ASSUREZ-VOUS DE TOURNER FERMEMENT LA VIS VERS LA DROITE POUR SCELLER. NE SERREZ PAS TROP FORT.</b></li> <li>- Vérifiez pour des fuites en appliquant une solution d'eau savonneuse.</li> </ul>															
		<table border="1"> <thead> <tr> <th>Pression</th> <th>Gaz Naturel (pouces)</th> <th>Gaz Naturel (millibars)</th> <th>Propane (pouces)</th> <th>Propane (millibars)</th> </tr> </thead> <tbody> <tr> <td>Arrivée</td> <td>7" (min.4,5")</td> <td>17,4 mb (min.11,2mb)</td> <td>13" (min.11")</td> <td>32,4 mb (min.27,4mb)</td> </tr> <tr> <td>Sortie</td> <td>3,5"</td> <td>8,7 mb</td> <td>10"</td> <td>24,9 mb</td> </tr> </tbody> </table>	Pression	Gaz Naturel (pouces)	Gaz Naturel (millibars)	Propane (pouces)	Propane (millibars)	Arrivée	7" (min.4,5")	17,4 mb (min.11,2mb)	13" (min.11")	32,4 mb (min.27,4mb)	Sortie	3,5"	8,7 mb	10"	24,9 mb
Pression	Gaz Naturel (pouces)	Gaz Naturel (millibars)	Propane (pouces)	Propane (millibars)													
Arrivée	7" (min.4,5")	17,4 mb (min.11,2mb)	13" (min.11")	32,4 mb (min.27,4mb)													
Sortie	3,5"	8,7 mb	10"	24,9 mb													
Du carbone se dépose sur les bûches ou les parois de la chambre de combustion.	<p>Le volet d'air est bloqué.</p> <p>La flamme effleure les bûches ou les parois de la chambre de combustion.</p>	<ul style="list-style-type: none"> <li>- Assurez-vous que l'ouverture du volet d'air n'est pas bloquée par des fibres ou autres obstructions.</li> <li>- Vérifiez si les bûches sont positionnées correctement.</li> <li>- Augmentez l'ouverture du volet d'air pour augmenter le volume d'air primaire.</li> <li>- Vérifiez le débit d'alimentation : vérifiez que la pression du collecteur et la grandeur de l'injecteur sont telles que spécifiées sur la plaque d'homologation.</li> </ul>															
Une pellicule blanche ou grise se forme.	Le souffre du combustible se dépose sur la vitre, les bûches ou les parois de la chambre de combustion.	<ul style="list-style-type: none"> <li>- Nettoyez la vitre avec un nettoyeur recommandé.</li> <li>- <b>NE PAS NETTOYER LORSQU'ELLE EST CHAUDE.</b></li> <li>- Si vous ne nettoyez pas les dépôts régulièrement, la vitre risque de rester marquée en permanence.</li> </ul>															
L'interrupteur mural est à « OFF »; le brûleur principal s'allume lorsque le bouton du gaz est tourné à « ON ».	<p>L'interrupteur mural est raccordé à l'envers.</p> <p>L'interrupteur mural cause un court-circuit.</p> <p>Le fil de l'interrupteur mural cause un court-circuit.</p> <p>La soupape est défectueuse.</p>	<ul style="list-style-type: none"> <li>- Raccordez à l'endroit.</li> <li>- Remplacez.</li> <li>- Vérifiez si le fil est bien mis à la terre; réparez ou remplacez le fil.</li> <li>- Remplacez.</li> </ul>															
La veilleuse ne fonctionne pas correctement.	La veilleuse a été peinte	<ul style="list-style-type: none"> <li>- Utilisant une pièce de papier de verre ou du tissu d'émeri pour enlever la peinture du capuchon du veilleuse, l'allumeur et le sonde de flamme.</li> </ul>															

## 13.0 GARANTIE

Les produits NAPOLÉON sont fabriqués conformément aux normes strictes du Certificat d'Assurance de Qualité mondialement reconnu ISO 9001 : 2000.

Les produits NAPOLÉON sont conçus avec des composants et des matériaux de qualité supérieure, assemblés par des artisans qualifiés qui sont fiers de leur travail. Le brûleur et le montage de la soupape subissent un test de détection de fuites et d'allumage à une station de test de qualité. Une fois assemblé, chaque appareil est soigneusement inspecté de nouveau par un technicien qualifié avant d'être emballé pour garantir que vous, le client, recevez le produit de qualité dont vous vous attendez de NAPOLÉON.

### GARANTIE LIMITÉE DE 5 ANS DES APPAREILS AU GAZ NAPOLÉON

Tous les composants en acier inoxydable de votre nouvel appareil au gaz NAPOLÉON sont garantis contre les défauts pour une période de cinq ans.

Les composants électriques (110V) et les pièces soumises à l'usure sont couverts et NAPOLÉON fournira gratuitement les pièces de rechange durant la première année de la garantie limitée. Ceci couvre: les soupapes de gaz, les bûches et les joints d'étanchéité.\*

Les coûts de main-d'oeuvre relatifs aux réparations garanties sont couverts gratuitement durant la première année. Cependant, les travaux de réparation nécessitent l'approbation préalable d'un représentant autorisé de la compagnie. Les coûts de main-d'oeuvre à la charge de NAPOLÉON sont basés sur un programme de tarifs prédéterminé et tout travail de réparation doit être accompli par l'entremise d'un représentant autorisé NAPOLÉON.

\*La fabrication de chaque modèle varie. La garantie s'applique uniquement aux composants disponibles avec votre appareil.

### CONDITIONS ET LIMITATIONS

NAPOLÉON garantit ses produits contre les défauts de fabrication à l'acheteur d'origine seulement. L'enregistrement de la garantie n'est pas nécessaire. Fournissez simplement une preuve d'achat ainsi que le modèle et le numéro de série afin d'effectuer une réclamation de garantie. NAPOLÉON se réserve le droit de demander à son représentant d'inspecter tous produits ou pièces avant d'honorer toute réclamation. L'achat doit avoir été fait par l'entremise d'un détaillant NAPOLÉON autorisé et sous réserve des conditions et limitations suivantes :

La couverture de la garantie débute à partir de la date d'installation originale.

Cette garantie limitée s'applique seulement lorsque l'appareil demeure à l'endroit d'installation d'origine et seulement si l'appareil est installé au Canada ou aux États-Unis.

Cette garantie du fabricant n'est pas transférable et ne peut être prolongée ou étendue par aucun de nos représentants quelle qu'en soit la raison.

L'installation doit être faite conformément aux instructions d'installation incluses avec le produit et à tous les codes d'incendie et de construction locaux et nationaux.

Cette garantie limitée ne couvre pas les dommages causés par un mauvais usage, un manque d'entretien, un accident, des altérations, des abus ou de la négligence et l'installation de pièces d'autres fabricants annulera cette garantie.

Cette garantie limitée ne couvre pas non plus les égratignures, les bossellements, la corrosion ou la décoloration causés par une chaleur excessive, des produits d'entretien chimiques et abrasifs, le bris par manipulation des bûches et des braises.

Au cours de la première année seulement, cette garantie s'applique à la réparation ou au remplacement des pièces garanties dont les matériaux ou la fabrication sont défectueux à la condition que le produit ait été utilisé conformément aux instructions de fonctionnement et dans des conditions normales.

Après la première année, concernant cette Garantie Limitée, NAPOLÉON peut, à sa discrétion, se libérer entièrement de toutes obligations en ce qui concerne cette garantie en remboursant à l'acheteur d'origine le prix de gros de toute pièce garantie qui est défectueuse.

Après la première année, NAPOLÉON ne sera pas responsable de l'installation, de la main-d'oeuvre ou autres dépenses relatives à la réinstallation d'une pièce garantie et de telles dépenses ne sont pas couvertes par cette garantie.

Nonobstant toutes les dispositions contenues dans cette Garantie Limitée, la responsabilité de NAPOLÉON sous cette garantie est définie comme ci-dessus et elle ne s'appliquera à aucun dommage accidentel, consécutif ou indirect.

Cette garantie définit l'obligation et la responsabilité de NAPOLÉON en ce qui concerne l'appareil au gaz Napoléon®. Toute autre garantie énoncée ou implicite en ce qui concerne ce produit, ses composants ou accessoires est exclue.

Cette garantie limitée ne couvre pas les dommages causés par l'utilisation de composants qui ne sont pas fournis avec l'appareil, ou l'utilisation d'un combustible autre que celui spécifié.

Tous dommages causés à l'appareil par les intempéries, de longues périodes d'humidité, la condensation, les produits chimiques ou produits d'entretien nuisibles ne seront pas la responsabilité de NAPOLÉON.

La facture ou sa copie sera requise ainsi qu'un numéro de série et un numéro de modèle lors d'une réclamation auprès de votre représentant autorisé. La carte d'enregistrement de garantie doit être retournée dans les quatorze jours pour enregistrer la garantie. NAPOLÉON se réserve le droit de demander à son représentant d'inspecter tout produit ou pièce avant d'honorer toute réclamation.

Toutes les pièces remplacées en vertu de la politique de Garantie limitée ne peuvent faire l'objet que d'une seule réclamation.

Toutes les pièces remplacées au titre de la garantie seront couvertes pour une période de 90 jours à partir de leur date d'installation.

Le fabricant peut exiger que les pièces défectueuses ou les produits soient retournés ou que des photos numériques soient fournies pour valider la réclamation. Les produits retournés doivent être expédiés port payé au fabricant pour une inspection en usine. Si un produit est déclaré défectueux, le fabricant le réparera ou le remplacera.

Avant d'expédier votre appareil ou les pièces défectueuses, votre détaillant doit obtenir un numéro d'autorisation. Toute marchandise expédiée à notre usine sans autorisation sera refusée et retournée à l'expéditeur.

Les coûts d'expédition ne sont pas couverts par cette garantie.

Des frais de service supplémentaires peuvent être appliqués si vous cherchez à obtenir des services au titre de la garantie auprès d'un détaillant. Les frais de déplacement pour main-d'oeuvre, de tests de diagnostic, d'expédition et autres frais afférents ne sont pas couverts par cette garantie.

TOUTES LES SPÉCIFICATIONS ET LES CONCEPTIONS SONT SUJETTES À MODIFICATIONS SANS PRÉAVIS EN RAISON DES AMÉLIORATIONS CONSTANTES APPORTÉES AUX PRODUITS. NAPOLÉON EST UNE MARQUE DE COMMERCE DÉPOSÉE DE WOLF STEEL LTÉE.

Autres produits Napoléon®



Foyers encastrés • Grils au charbon de bois • Foyers au gaz • Cascades d'eau  
Poêles à bois • Produits HVAC • Foyers électriques • Foyers extérieurs • Grils à gaz de qualité



7200, Route Transcanadienne, Montréal, Québec H4T 1A3  
24 Napoleon Road, Barrie, Ontario, Canada L4M 0G8  
214 Bayview Drive, Barrie, Ontario, Canada L4N 4Y8  
103 Miller Drive, Crittenden, Kentucky, USA 41030

Foyers / Chauffage et Climatisation / Grils composez : 514-737-6294  
napoleonproducts.com