

WOOD INSERTS





NORTH AMERICA'S FAVORITE FIRE



1979 - First Lopi Wood Stove

Lopi wood inserts have been North America's favorite choice in fire for over 30 years. Our reputation for solid craftsmanship, reliable performance, low emissions and unbeatable heating efficiency has been a winning combination year after year, and the favorite fire of families across the nation.

Lopi heating appliances are designed and hand-assembled at our state-of-the-art factory in Mukilteo, Washington. Each insert comes with our seven year warranty. After all, we have the experience and confidence to stand behind every single product we make, so we put it in writing.*

We've learned and grown with every unit we've built over the years, but one thing that hasn't changed is the beauty of our inserts, performance you can trust, and our commitment to your satisfaction.

Whether you are new to the family of Lopi heating appliances or already a part of our family, we invite you take a look at our line of wood inserts. We know you'll find your favorite fire.

**Five years on Republic all Inserts.*

INDEX

A. HIGH PERFORMANCE WOOD INSERTS: Pages 4-22

Lopi's best-selling High Performance wood inserts have been the #1 choice in America over the last 30 years. Their heavy gauge steel construction, high quality components and clean-burning technology has made these inserts the most reliable and trusted wood heaters for decades. These inserts feature a secondary combustion system with stainless steel air tubes that creates a highly efficient burn and produces a big, beautiful fire. They also include a high performance convection chamber that circulates the heat and distributes it throughout your home for a gentle, even warmth.

B. HYBRID-FYRE® WOOD INSERTS: Pages 23-28

Hybrid-Fyre is the latest in wood technology from Lopi. This breakthrough technology is the cleanest burning wood technology in the world, highlighting the strengths of catalytic and non-catalytic technologies to create an advanced combustion system that in whole is greater than each of its parts. It allows you to conserve fuel by burning less wood for longer periods of time. Experience the most sophisticated, efficient and cleanest burning wood technology in the industry with a Lopi Hybrid-Fyre insert.



Lopi is not so much a brand name as it is a tradition of craftsmanship in the construction of our wood inserts and of pride to the families who own them. We invite you to share this proud tradition.

KURT W. F. RUMENS
President, Travis Industries

WHY BUY A LOPI WOOD INSERT?

ENERGY INDEPENDENCE

The expense of heating your home with oil, gas or electricity keeps going up. Lopi's wood inserts give off both radiant and convective heat that comfortably warms every room in your home for a fraction of what you'd pay for standard utilities.

NO POWER? NO PROBLEM!

A Lopi wood insert will keep you warm and cozy under any circumstance. These inserts do not require blowers to operate and feature natural convection heat that will warm your home without the use of power, making them a reliable heat source during power outages. Some of Lopi's insert models also feature cooktop surfaces, allowing you to warm up soup or cider, or even fry bacon and eggs for breakfast.

A WARMTH LIKE NO OTHER

Most wood inserts give off radiant heat that only warms objects within the room. Lopi inserts feature a five-sided convection chamber system that circulates air around the insert and then pushes the warm air through the room to other areas of your home. It's a difference you can actually feel.

FREE MOISTURE METER

Testing the moisture level in your wood is a crucial, yet often ignored step when burning a fire. Wet wood creates excessive smoke and moisture in the firebox, whereas dry wood allows for a hotter, more efficient burn. Lopi includes a FREE moisture meter with every wood insert so you can ensure that you're burning dry wood and getting the highest performance out of your insert.





*Shown with optional
Convection Fan, Seamless
One-Piece Panel,
and Insert Wiring Kit.*



REPUBLIC™ 1250i

Perfect for Cabins or Small Homes

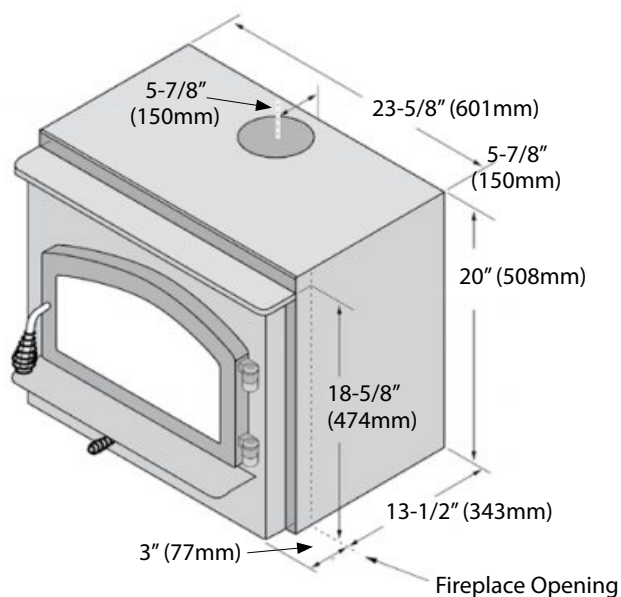
Experience the performance and quality you've come to expect in Lopi wood inserts with the value-priced Republic™ 1250i. Without compromising construction or function, Lopi has managed to produce a wood insert that is affordable, good looking and just plain heats. Ideal for smaller homes, cabins or zonal heating, this insert can convert your old, inefficient masonry or zero clearance fireplace into a great heat source for your home. The Republic™ 1250i is more than five times as efficient as an open fireplace and features a built-in convection chamber to circulate and distribute heat throughout your home.

Options (See Page 22)

- One Piece Finish Panels (*Custom Panels also available through your Lopi Dealer*)
- Convection Fan
- High Temperature Insert Wiring Kit

Specifications

Emissions:	4.4 Grams Per Hour
Heating Capacity:	750 to 1,200 Square Feet
Heat Output:	Cord Wood - 66,800 BTUs Per Hour
Maximum Burn Time:	Up to 8 Hours
Firebox Size:	1.6 Cubic Feet
Maximum Log Size:	18"
Weight:	285 Pounds
Construction:	1/4" to 3/16" Steel Plate
Efficiency:	Up to 79.6%
Glass Viewing Area:	15-1/4" W x 9" H





REPUBLIC™ 1750i

Great for Heating Medium to Large Sized Homes

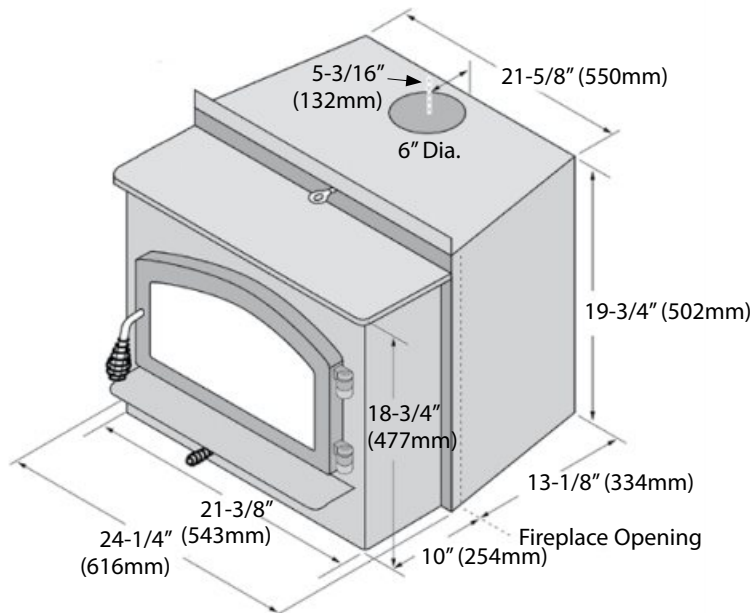
With the Republic™ 1750i you can convert your old, inefficient masonry or zero clearance fireplace into a great source of heat for your medium to large sized home. This insert is more than five times as efficient as an open fireplace and features a built-in convection chamber to circulate and distribute heat throughout your home. It also features a bypass damper that allows quick and easy fire startups and smoke-free reloading. The Republic™ 1750i even has a large cooktop surface that is great to utilize during power outages.

Options (See Page 22)

- Choice of Finish Panels - 8", 10", or 12"
(Custom Panels also available through your Lopi Dealer)
- Convection Fan
- High Temperature Insert Wiring Kit

Specifications

Emissions:	1.9 Grams Per Hour
Heating Capacity:	1,200 to 2,000 Square Feet
Heat Output:	Cord Wood - 72,400 BTUs Per Hour
Maximum Burn Time:	Up to 10 Hours
Firebox Size:	2.2 Cubic Feet
Maximum Log Size:	18"
Weight:	380 Pounds
Construction:	1/4" to 5/16" Steel Plate
Efficiency:	Up to 78.8%
Glass Viewing Area:	15-1/4" W x 9" H



HIGH PERFORMANCE WOOD INSERTS



Shown with optional Convection Fan, Three Piece Panel and Insert Wiring Kit. Always keep combustibles 36" from front of insert.



Shown with optional Pewter Plated door and handle, Convection Fan, and Seamless One-Piece Panel.



ANSWER™

Small Insert With Great Convective Heat

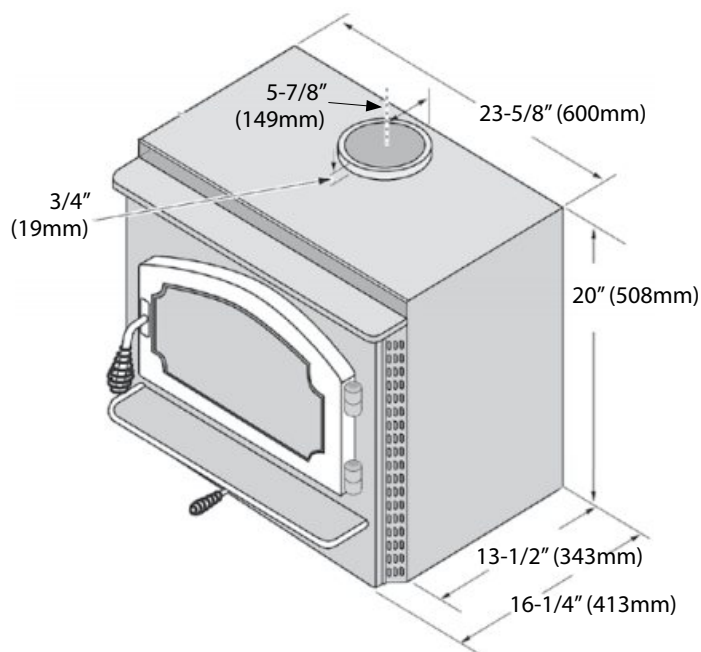
The Answer™ is a great way to heat an individual room or small home. It conserves space by mounting almost flush to your existing masonry or zero clearance fireplace. This insert offers advanced features like a five-sided convection chamber to evenly distribute warm air, and a single air control for easy regulation of burns and heat output. The Answer's™ 1.6 cubic foot firebox is large enough to hold an 18" log and provide longer burn times.

Options (See Page 22)

- One Piece Finish Panels (*Custom Panels also available through your Lopi Dealer*)
- Choice of Black, Pewter Plated or Solid Brass Door
- Convection Fan
- High Temperature Insert Wiring Kit
- Etched Elk Glass

Specifications

Emissions:	4.4 Grams Per Hour
Heating Capacity:	750 to 1,200 Square Feet
Heat Output:	Cord Wood - 66,800 BTUs Per Hour
Maximum Burn Time:	Up to 8 Hours
Firebox Size:	1.6 Cubic Feet
Maximum Log Size:	18"
Weight:	285 Pounds
Construction:	1/4" to 3/16" Steel Plate
Efficiency:	Up to 79.6%
Glass Viewing Area:	15-1/4" W x 9" H





REVERE™

Our #1 Selling Wood Insert

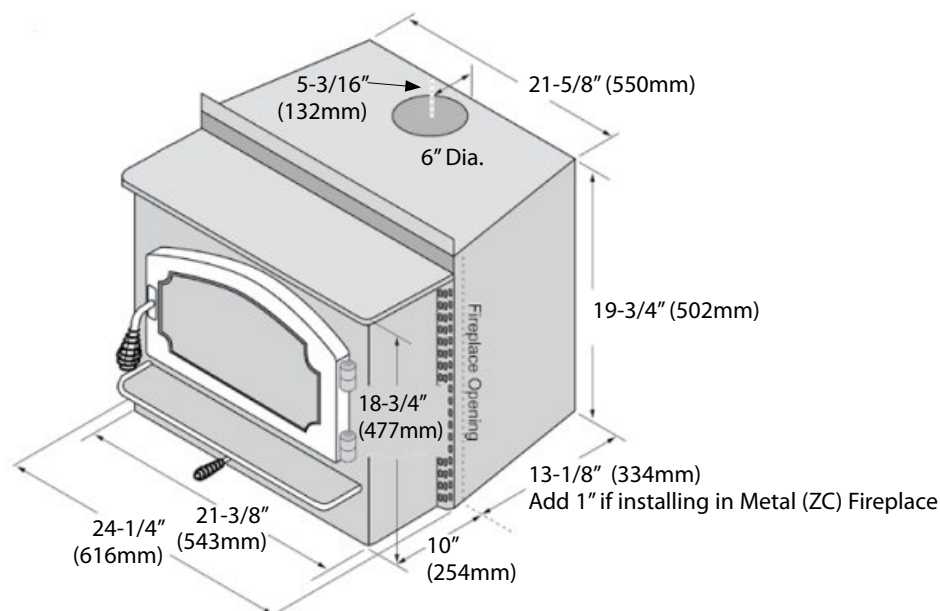
The Revere™ is truly in a class of its own. It features one of the cleanest burning fireboxes of any mid-sized insert at 1.9 grams of emission per hour. It is also the largest extended wood burning insert approved for zero clearance fireplace installations. The Revere™ can accommodate logs lengthwise up to 18" long, at a greater capacity for longer burn times. The Revere™ is also the only insert of its size to use a bypass damper for easy fire startups and smoke-free reloading, and its 10" x 24" radiant cooktop surface is bigger than any other medium insert.

Options (See Page 22)

- Choice of Finish Panels - 8", 10" or 12"
(Custom Panels also available through your Lopi Dealer)
- Convection Fan
- Choice of Black, Pewter Plated or Solid Brass Door
- High Temperature Insert Wiring Kit
- Etched Elk Glass

Specifications

Emissions:	1.9 Grams Per Hour
Heating Capacity:	1,200 to 2,000 Square Feet
Heat Output:	Cord Wood - 72,400 BTUs Per Hour
Maximum Burn Time:	Up to 10 Hours
Firebox Size:	2.2 Cubic Feet
Maximum Log Size:	18"
Weight:	380 Pounds
Construction:	5/16" to 3/16" Steel Plate
Efficiency:	Up to 78.8%
Glass Viewing Area:	15-1/4" W x 9" H



HIGH PERFORMANCE WOOD INSERTS





Shown with optional Solid Brass Door and Plated Door Handle, Convection Fan, Three Piece Panel, and Insert Wiring Kit.



Shown with optional Insert Wiring Kit that allows you to hard-wire the fan within the firebox.



CAPE COD™

Cast Iron Beauty in a Flush Insert

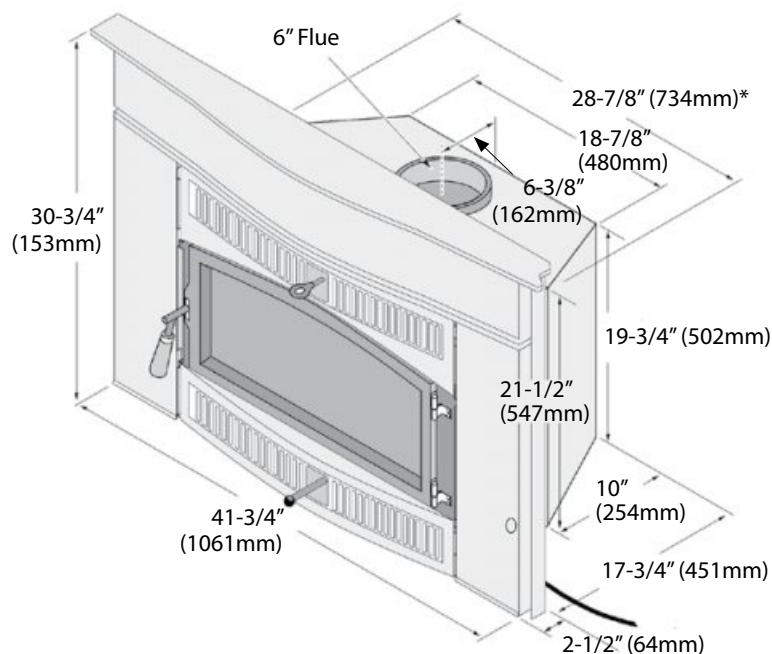
Lopi's Cape Cod™ is the most beautiful, flush cast iron wood insert on the market. The classic cast iron design and large fire viewing area of the single door are complementary to almost all interior styles. This insert features a three-sided convection chamber, seamless 6" flue and kiln-fired refractory firebrick. This insert also has the highest BTU output of any flush insert, providing 73,000 BTUs distributed by twin 90 CFM convection fans, which circulates heat up to 2,000 square feet. Its advanced combustion system provides fires that burn longer and more efficiently, with less wood and burn times up to 10 hours.

Options (See Page 22)

- Insert Wiring Kit
- **GREEN START.** Igniter
- High Temperature Insert Wiring Kit

Specifications

Emissions:	4.4 Grams Per Hour
Heating Capacity:	1,200 to 2,000 Square Feet
Heat Output:	Cord Wood - 73,300 BTUs Per Hour
Maximum Burn Time:	Up to 10 Hours
Firebox Size:	2.2 Cubic Feet
Maximum Log Size:	24"
Weight:	500 Pounds
Construction:	Cast Iron, 5/16" to 1/4" Steel Plate
Efficiency:	Up to 76.9%
Glass Viewing Area:	22-5/8" W x 10" H



*You will need a fireplace opening 34-7/8" wide measured 4" back from the front if you are using the GreenStart igniter option.



FLUSH WOOD PLUS™

A Mid-Sized Flush Insert that Provides Extraordinary Heat

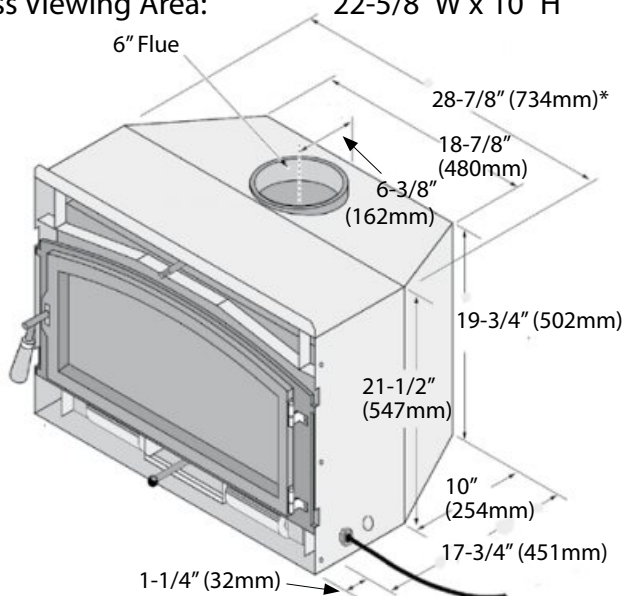
Enjoy higher efficiency and lower heating bills with the Flush Wood Plus™, the first and best completely flush fireplace insert on the market. The classic architecture of the signature Wilmington™ face and large viewing area of the single door are complementary to most décor. The Flush Wood Plus™ features a three-sided convection chamber, a 6" seamless flue collar and a kiln-fired refractory firebrick interior, making this unit very high in quality with exceptional heat transfer. This insert has the highest BTU output of any flush insert to date, providing up to 73,000 BTUs distributed by twin 90 CFM convection fans that can circulate heat up to 2,000 square feet. Its advanced combustion system provides fires that burn longer and more efficiently, with less wood and burn times up to 10 hours.

Options (See Page 22)

- One Piece Finish Panels (*Custom Panels also available through your Lopi Dealer*)
- High Temperature Insert Wiring Kit
- **GREEN START™** Igniter

Specifications

Emissions:	4.4 Grams Per Hour
Heating Capacity:	1,200 to 2,000 Square Feet
Heat Output:	Cord Wood - 73,300 BTUs Per Hour
Maximum Burn Time:	Up to 10 Hours
Firebox Size:	2.2 Cubic Feet
Maximum Log Size:	24"
Weight:	450 Pounds
Construction:	5/16" to 1/4" Steel Plate
Efficiency:	Up to 76.9%
Glass Viewing Area:	22-5/8" W x 10" H



*You will need a fireplace opening 34-7/8" wide measured 4" back from the front if you are using the GreenStart igniter option.

HIGH PERFORMANCE WOOD INSERTS



*Shown with optional
Seamless One-Piece Panel
and Insert Wiring Kit.*



Shown with optional Pewter Plated Door and Door Handle, Seamless One-Piece Panel and Insert Wiring Kit.



FREEDOM

The Only Large Insert to Mount Flush or Extended

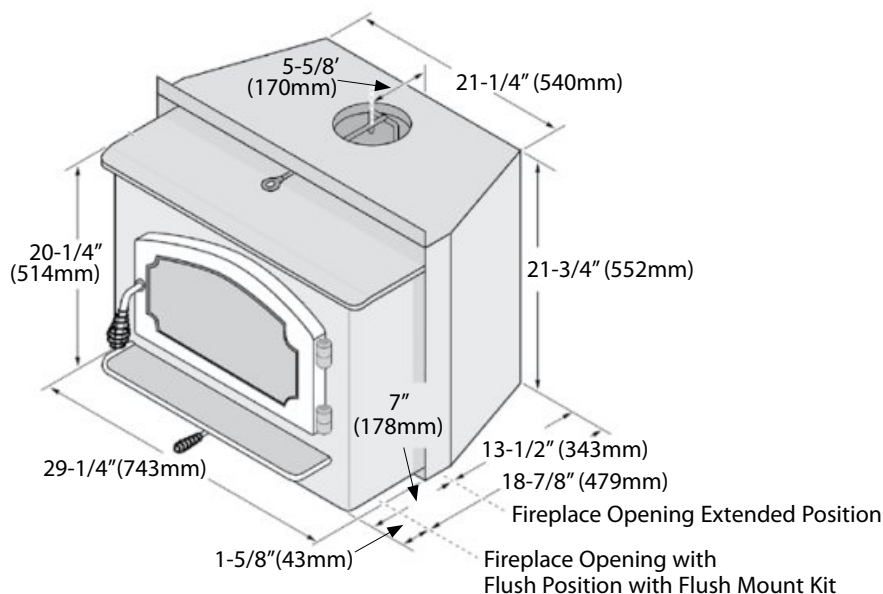
The Freedom™ reigns as one of the most efficient large wood inserts on the market, delivering a remarkable 71.1% efficiency. It is the only insert of its size that can either mount flush or extended seven inches onto the hearth. The Freedom™ is suitable for most existing masonry fireplaces because the firebox is tapered to fit the widest possible range of fireplace openings. This insert can also accommodate a 24" log, making overnight burns easier than ever before.

Options (See Page 22)

- One Piece Finish Panels (*Custom Panels also available through your Lopi Dealer*)
- Choice of Black, Pewter Plated or Solid Brass Door
- Elk Etched Glass
- Convection Fan
- High Temperature Insert Wiring Kit
- Flush Mount Kit (*Reduced extension onto hearth from 7" to 1-5/8"*)

Specifications

Emissions:	3.2 Grams Per Hour
Heating Capacity:	1,200 to 2,000 Square Feet - Flush Model 1,200 to 2,250 Square Feet - Extended Model
Heat Output:	Cord Wood - 73,300 BTUs Per Hour
Maximum Burn Time:	Up to 12 Hours
Firebox Size:	2.9 Cubic Feet
Maximum Log Size:	24" front, 18" Back
Weight:	455 Pounds
Construction:	5/16" to 3/16" Steel Plate
Efficiency:	Up to 71.1%
Glass Viewing Area:	19" W x 9-1/2" H





FREEDOM BAY™

Large Insert with Beautiful Bay Design

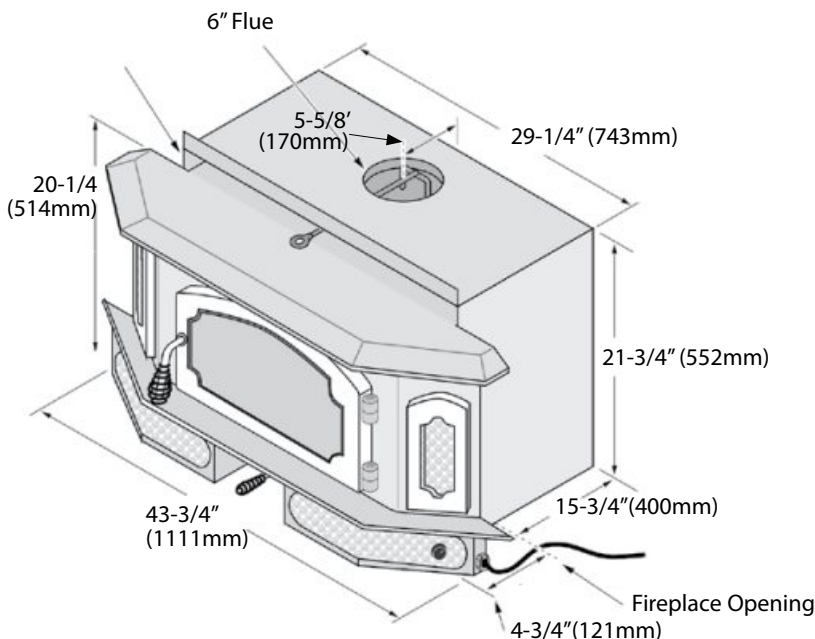
The Freedom Bay™ is proof that beauty and function can be engineered to go hand in hand. At an emissions rate of only 2.6 grams per hour, it is one of the cleanest burning large inserts on the market. The bay "windows" are actually side convection chambers that allow air to circulate around the huge firebox and return to the room as heated air. This insert comes with built-in 90 CFM convection fans. The firebox can accommodate a 24" log, making overnight burns easier than ever before.

Options (See Page 22)

- Choice of Finish Panels - 8", 10" or 12"
- Choice of Black, Pewter Plated or Solid Brass Door
- High Temperature Insert Wiring Kit
- Elk Etched Glass

Specifications

Emissions:	2.6 Grams Per Hour
Heating Capacity:	1,200 to 2,250 Square Feet
Heat Output:	Cord Wood - 74,300 BTUs Per Hour
Maximum Burn Time:	Up to 12 Hours
Firebox Size:	3.1 Cubic Feet
Maximum Log Size:	24"
Weight:	470 Pounds
Construction:	3/16" to 5/16" Steel Plate
Efficiency:	Up to 70%
Glass Viewing Area:	19" W x 9-1/2" H



HIGH PERFORMANCE WOOD INSERTS



Shown with optional Pewter Plated Door and Door Handle and 8" Panels.

DARE TO COMPARE!

WE BUILD THE FINEST WOOD INSERTS ON THE PLANET.

No other wood burning insert can surpass Lopi's performance or quality. It takes the best engineers and craftsmen to make the best products, and we've got them. Your new Lopi insert features true unibody construction, using a 600 ton press to form and bend the metal, eliminating unsightly welds and increasing strength. The beautiful and durable Lopi door is held in place with a cold-rolled steel hinge punched through the firebox and welded on the inside to hold the door straight. The hinge pins that hold the door are 5/8" bridge rivets. Your insert also has a six-inch, seamless, heavy-duty steel flue collar and heavy gauge 5/16" & 3/16" steel construction. When you buy a Lopi, you're buying the finest. We guarantee it.



The optional Solid Brass door will last for life (unlike the micro-thin gold plating common to many other insert brands). Pewter Plated doors are also available on all inserts.

Not available on Republic inserts, Flush Wood Plus insert or Cape Cod insert.



Our single air control is easier to fine tune to your heating needs by regulating both primary and secondary air to the stove. The result is a sealed air-control which will not allow any additional air into the firebox.

The control is designed to insure an engineered seal to the bottom of the firebox. The result is a sealed air control which will not allow any additional air into the firebox.



Cast iron frame glass retainer insures a permanent air-tight seal around the glass. The cast iron frame fits an inch deep inside the door, so the door will never warp or flex. The frame also protects the glass gaskets from direct contact with the fire.

Lopi uses real kiln-fired, refractory firebrick in the firebox and baffle. This is the same material used to line commercial boilers and furnaces and is twice the weight of typical brick. The brick protects the steel while increasing the internal temperature within the firebox. Come feel the difference!



7-YEAR "REAL WORLD" WARRANTY

(5 Years on the Republic 1250 & 1750 inserts)

Our 7-Year Warranty offers more protection on key components than the so-called "Limited Lifetime" warranties of our competitors.

YEARS 1-2: All parts and labor on your wood burning appliance, including blower and one-way freight allowance.

YEARS 3-5: All parts and labor on the firebox, door assembly, air control assemblies and one-way freight allowance.

YEARS 6-7: Parts only on firebox, door and air control assemblies

Lopi builds inserts to last a lifetime. We'll stand behind the quality and performance of our products year after year because that's the way we do business –and you don't have to read the fine print for your peace of mind.

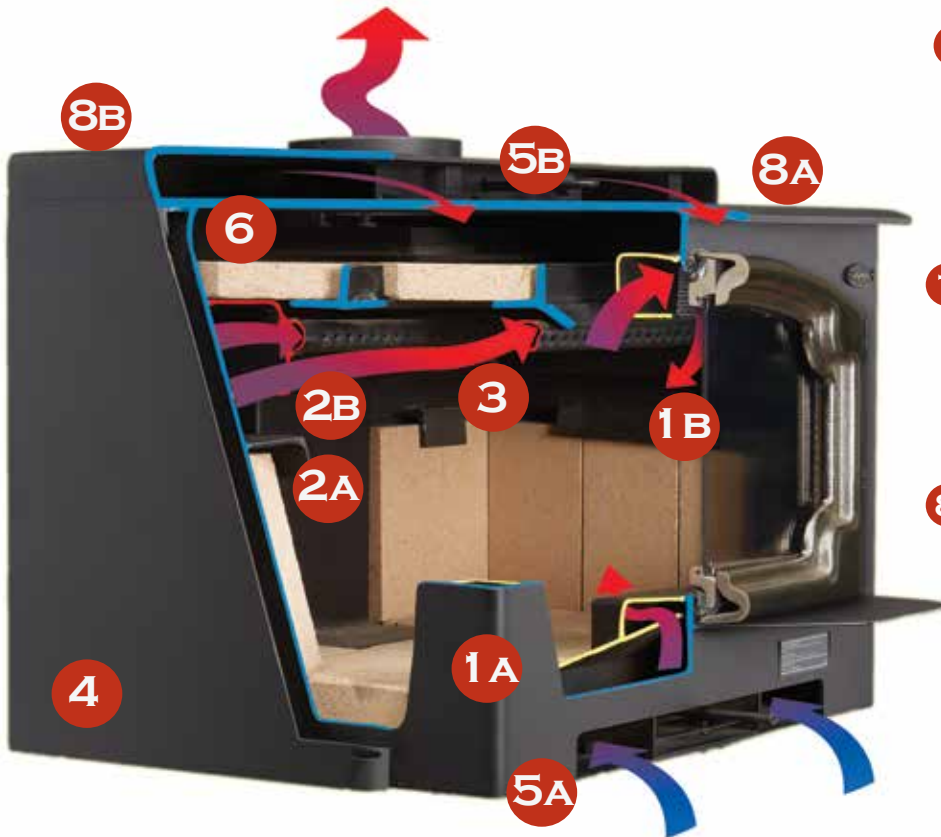


Scan QR Code to watch a video on how Lopi wood inserts are made.



How LOPI HIGH PERFORMANCE WOOD INSERTS WORK

- 1 Pre-heated air wash cleans the glass like a self-cleaning oven; (1A) a steady stream of fresh air enters the insert, gets hot as it is drawn up the heated internal air chamber, and (1B) then travels through a screened airwash which diffuses and evenly distributes air across the glass, keeping smoke and ash particles away.
- 2 Pre-heated secondary combustion air (2A) is delivered to the stainless steel secondary combustion tubes, (2B) which introduces oxygen to the firebox and promotes re-burn of most of the smoke and gases that would otherwise line your flue as creosote and exit your chimney as smoke.
- 3 The heavy-duty masonry baffle holds and radiates heat back into the firebox for more efficient and complete combustion.
- 4 An optional blower is available to speed up the circulation of convective heat throughout your home. A blower is ideal for quicker, more efficient heating, or for larger homes with high ceilings, or a home with an open floor plan.
- 5 The convection chamber naturally draws cold room air (5A) in at the bottom of the unit, circulates it around the insert and (5B) returns it to the room as heated air. As the insert heats up air flow actually increases, delivering more heated air into your home.



- 6 Our medium and large units feature bypass dampers which temporarily re-routes smoke behind the masonry baffle when engaged. The bypass assists faster fire start-up as well as preventing smoke from escaping through the door when loading wood.
- 7 Lopi inserts feature a large capacity convection chamber which enhances the heat transfer by gently circulating heated air to adjoining rooms, while still offering radiant heat that warms the room and the objects in it.
- 8 Some of our wood inserts also provide a great cooktop surface. The cooktop surface can be used to warm soup, heat up hot cocoa or for scented potpourri. Our medium and large inserts give you both a cooktop (8A) and warming (8B) surface, so not only will your insert heat your home during a power outage, you can also cook on it.



LOPI INSERT OPTIONS & ACCESSORIES



DOORS

Choose from three door finishes to blend or accent your insert and room decor. Solid Brass, Black Painted, Pewter Plated

Not available on Republic inserts, Flush Wood Plus insert or Cape Cod insert.



ELK ETCHED GLASS

Bring the great outdoors inside with the decorative elk etched glass design.

Not available on Republic inserts, Flush Wood Plus insert or Cape Cod insert.



FINISH PANELS

Fireplace insert panels come either as three-piece panels with trim or as single-piece panels to fit a wide variety of fireplace openings. Single-piece panels have the flexibility to be custom cut for an inside-fit to the fireplace opening.

Custom rectangular or arched panels are also available for order through your local Lopi retailer.

CONVECTION FANS

High on power but low on noise. They help circulate heat by moving up to 160 cubic feet of air per minute.



Insert Fan installs in front of unit. (Shown installed on pages 5 & 6.)



CUSTOM PAINT

Lopi inserts can be painted in a variety of colors to fit any décor (ask your dealer for custom color choices.)

INSERT WIRING KIT

If you do not want the power cord running across your hearth we offer a UL approved High Temperature Insert Wiring Kit that allows you to hard-wire the fan within your existing fireplace.

WOOD VENTING

Lopi has partnered with Duravent Mfg. to offer several great cost effective venting options specifically designed for Lopi wood inserts. Ask your Lopi dealer for details.



WOOD MASONRY LINER KITS.

For Answer, Revere, Freedom, and Freedom Bay wood inserts. Includes 6" 304 SS Flex pipe, inserts adapter, top plate and cap. Available in 15', 25', and 35' lengths.



WOOD ZC LINER KITS.

For Answer & Revere wood inserts. Includes 6" 304 SS Flex pipe, inserts adapter, and factory built termination components. Available in 15', 25', and 35' lengths.

HYBRID FYRE[®] INSERTS



*Small Flush Wood insert
shown with Wilmington Face,
optional Seamless One-Piece
Panel and Insert Wiring Kit.*



*Shown with Wilmington Face,
optional Seamless One-Piece
Panel and Insert Wiring Kit.*



SMALL FLUSH WOOD HYBRID-FYRE®

Lopi's Most Efficient, Cleanest Burning Small Insert

The Small Flush Wood Hybrid-Fyre® insert features the world's cleanest burning technology and comes in a compact size that will fit where no other wood insert has fit before. This unique insert is designed for small zero clearance and masonry fireplaces with its 14" depth and 12 cubic foot firebox. Despite its smaller size, this unit can heat up to 1,000 square feet. A beautifully detailed signature Wilmington™ face and arched cast iron door with ceramic glass highlights a stunning fire, and a concealed, twin 90 CFM convection fans are included to increase heat circulation. This clean-burning insert tests at greater than 76% overall efficiency and produces only 0.89 grams of emissions per hour! This insert is 20% more efficient than a typical wood insert, burning less wood and delivering more heat.

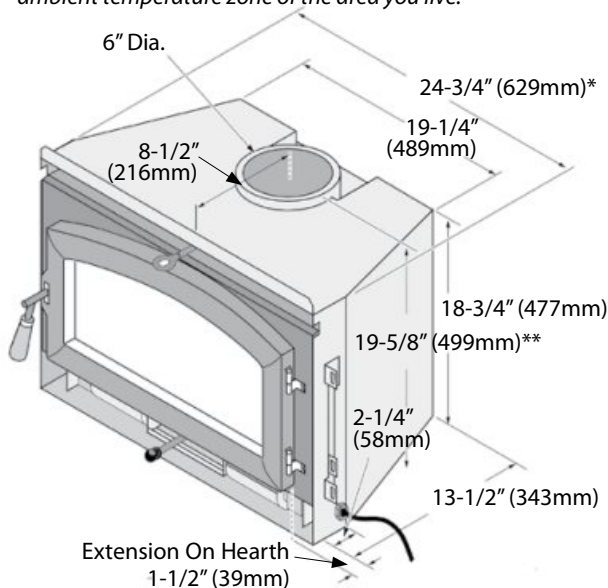
Options

- One Piece Finish Panels (*Custom Panels also available through your Lopi Dealer*)
- **GREEN START** Igniter
- High Temperature Insert Wiring Kit

Specifications

Emissions:	0.89* Grams Per Hour
Heating Capacity:	650 to 1,000 Square Feet**
Heat Output:	Cord Wood - 48,500 BTUs Per Hour
Maximum Burn Time:	Up to 7 Hours
Firebox Size:	1.2 Cubic Feet
Maximum Log Size:	18"
Weight:	265 Pounds
Construction:	5/16" to 3/16" Steel Plate
Efficiency:	Up to 76.5%*
Glass Viewing Area:	18" W x 8" H

* As tested using B-415.1 ** Heating capacity may vary depending on degree of home insulation, floor plan and ambient temperature zone of the area you live.



*You will need a fireplace opening 34-3/4" wide if you are using the GreenStart Igniter option.

If using optional adjustable flue adapter add 4" to the rear height.



LARGE FLUSH WOOD HYBRID-FYRE®

The Cleanest Burning Large Wood Insert on the Planet

The Large Flush Wood Hybrid-Fyre® insert is the cleanest burning large wood insert in the world. This insert burns so clean that it produces only 0.58 grams of emissions per hour, while testing at over 80% efficiency! This insert features the signature Wilmington™ face and large arched cast iron door with ceramic glass to present a stunning fire-viewing area and clean design that give the impression of a custom door on a fireplace. It is approved to fit into large zero clearance and masonry fireplaces with its 19" depth and 3 cubic foot firebox. This insert heats up to 2,500 square feet and has up to a 12 hour burn time. It also features powerful standard twin 90 CFM convection fans for more heat circulation. The Large Flush Wood Hybrid-Fyre® insert is 20% more efficient than a typical wood insert, burning less wood and delivering more heat.

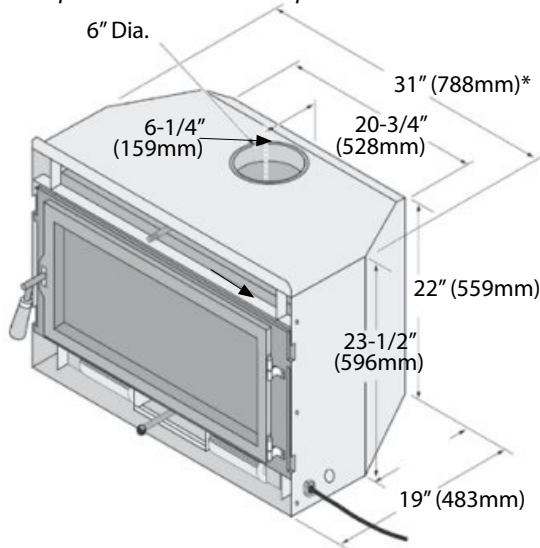
Options

- One Piece Finish Panels (*Custom Panels also available through your Lopi Dealer*)
- **GREEN START™** Igniter
- High Temperature Insert Wiring Kit

Specifications

Emissions:	0.58* Grams Per Hour
Heating Capacity:	1,500 to 2,500 Square Feet**
Heat Output:	Cord Wood - Up To 83,220 BTUs Per Hour
Maximum Burn Time:	Up to 12 Hours
Firebox Size:	3.0 Cubic Feet
Maximum Log Size:	24"
Weight:	530 Pounds
Construction:	5/16" to 1/4" Steel Plate
Efficiency:	Up to 80.3%
Glass Viewing Area:	24-1/2" W x 13" H

*As tested using B-415.1 **Heating capacity may vary depending on degree of home insulation, floor plan and ambient temperature zone of the area you live.



*You will need a fireplace opening 40-3/4" wide if you are using the GreenStart Igniter option.

HYBRID-FYRE® WOOD INSERTS





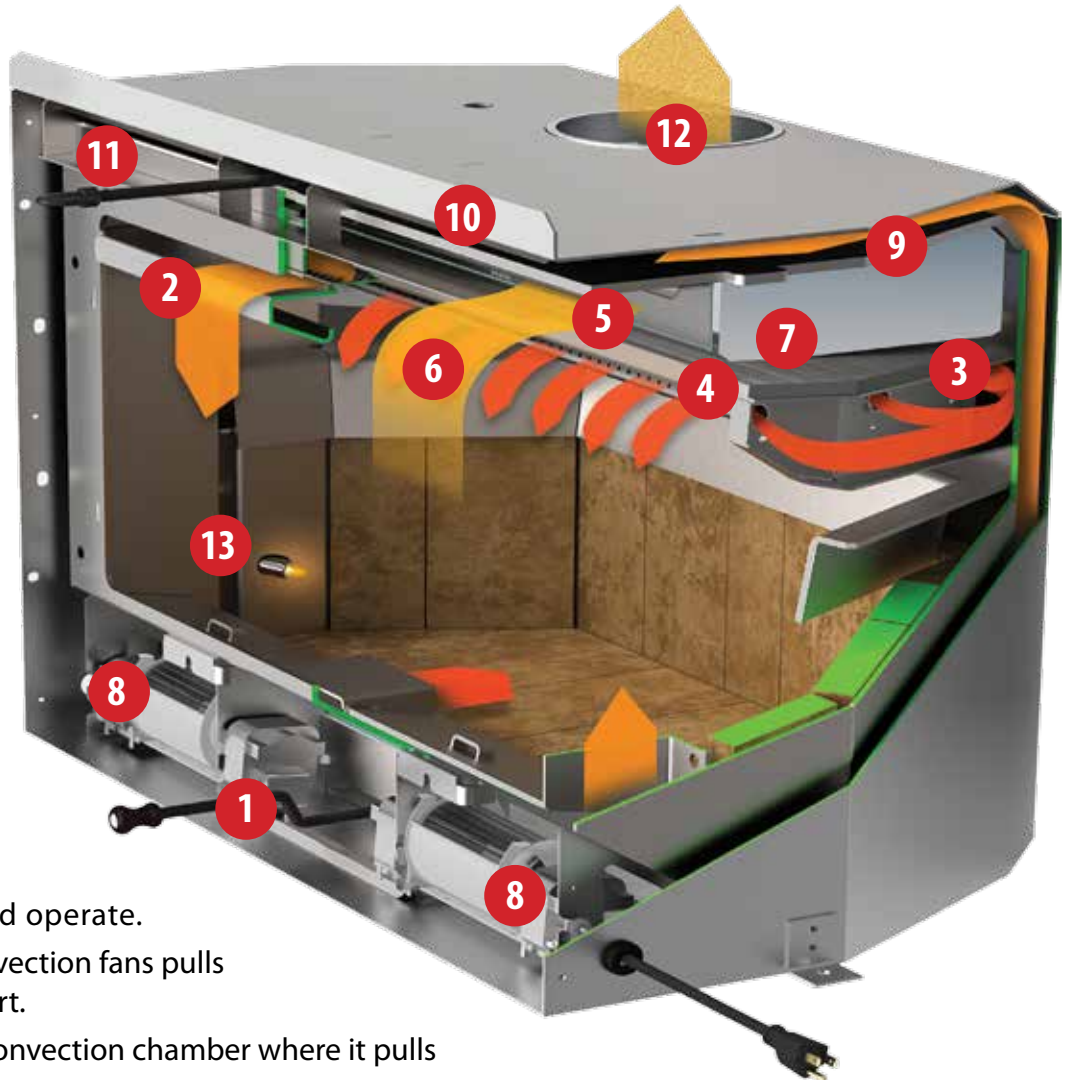
*Shown with Wilmington Face,
optional Seamless One-Piece
Panel and Insert Wiring Kit.*



HYBRID Fyre® TECHNOLOGY

Both Flush Wood Hybrid-Fyre® Inserts are extremely clean burning, highly efficient inserts for any home. They feature elevated craftsmanship and styling as well as the exclusive Hybrid-Fyre® technology.

- (1) The air control regulates the burn rate and routes air into the firebox for the primary combustion air (which helps to start the fire).
- (2) The warm air is then routed through the air wash channel and over the glass to keep the glass clean, decreasing maintenance and adding convenience.
- (3) The combustion air is drawn into the preheated chamber, converting cold, incoming air into warm combustion air.
- (4) The secondary air manifold continues to route the air into the secondary air tubes which takes the air to the secondary combustion zone.
- (5) The baffle then slows down the flow of any remaining volatile gases.
- (6) In this area, any particles are super-heated and ignited.
- (7) These volatile gases and particulates then enter the catalytic combustor. The catalytic combustor is designed to burn any remaining pollutants, leaving the exhaust virtually smoke-free. This process dramatically reduces emissions and carbon monoxide output, making the Flush Wood Hybrid-Fyre® Inserts very "green" to own and operate.
- (8) The standard twin 90 CFM convection fans pulls cool room air through the insert.
- (9) This air is drawn through the convection chamber where it pulls heat off of the firebox.
- (10) Hot air is then expelled from the top convection chamber through a large, cast iron heat sink. This greatly improves both the heat transfer efficiency and heating capacity of the insert.
- (11) A bypass damper is featured on the Flush Wood Inserts, allowing for easy, smoke-free startups.
- (12) Both inserts include a 6" flue with an internal attachment for convenient installation.
- (13) The optional GreenStart™ igniter system makes the startup process as easy as the push of a button.





PUSH BUTTON START UP, THE GREATEST WOOD INSERT OPTION EVER!

Starting your wood insert has never been easier. Much like Charles Kettering's invention of the electric automobile ignition 100 years ago, the GreenStart™ igniter system has evolved the ignition of fire in a spectacular way and has become the greatest innovation in wood heating in over 100 years.

Starting a fire in your wood insert is now as convenient as pushing a button. No longer is the mess of starting a fire with matches and newspapers, as it has been eliminated entirely by this breakthrough new igniter system. Fireplace safety has increased as well, and there is no longer a need to leave doors ajar to promote the fire start up.

The GreenStart™ system works much like a blacksmith bellows. A compressor forces 1,400 degree preheated air into the firebox directly onto the wood source, allowing for a clean, fast, smoke-free start up. This combination of the igniter and bellows is the brilliance of this patented design. **This system is also ideal for refreshing old fires** as well by simply adding new fuel on top of the old coals, closing the door and pushing the button two times. This activates the bellows without activating the ignitor. The bellows will run for 7 minutes, which is enough time to rekindle the fire.

The new GreenStart™ system instantly elevates combustion temperatures within your insert, immediately establishes a draft and eliminates the slow and smoky typical wood fire start up. The GreenStart™ Igniter system will start wood burning within a minute. After the initial start up the blower will continue pumping air at various speeds like a bellows into the fire, greatly accelerating the start up time. After 15 minutes the blower shuts off. For best results, dry, seasoned wood is required when using the GreenStart™ system. Never before has starting a fire in a wood insert been so simple.

WHAT MODELS CAN I USE THE GREENSTART™ IGNITER WITH?

The GreenStart™ igniter can be added to the Cape Cod™ and Flush Wood Plus™, Small Flush Wood Hybrid-Fyre® and Large Flush Wood Hybrid-Fyre® Inserts.



Use your Smart Phone QR Reader to watch a video on the GreenStart Igniter

PUSH A BUTTON



START YOUR FIRE



Hot surface igniter blows 1,400 degree heated air into firebox, igniting the wood within 30 seconds.



Igniter shuts down and blower continues to push air, acting as a bellows to fan the fire.



Blower continues to fan fire at various speeds to deliver proper draft in chimney and vigorous fire.



15 Minutes

After 15 minutes the blower shuts down. Homeowner adjusts damper and air controls to maintain fire.



LOPI WOOD INSERTS

For installation specifications refer to the Owner's Manual found on the Lopi website.



REPUBLIC 1250I



ANSWER



SMALL FLUSH WOOD



REPUBLIC 1750I



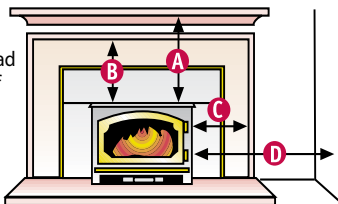
REVERE
Zero Clearance Approved

	SMALL	SMALL	SMALL	MEDIUM	MEDIUM
SPECIFICATIONS					
Width	23-5/8"	23-5/8"	24-3/4" front, 19 1/4" back	24-1/4"	24-1/4"
Height	20"	20"	18-3/4"	19-3/4"	19-3/4"
Depth (overall)	16-1/2"	16-1/4"	15"	23-1/8"	23-1/8"
Depth on Hearth	3"	3"	1-1/2"	10"	10"
Depth into Fireplace	14-1/2"	14-1/2"	13-1/2"	13-1/8"	13-1/8"
Flue Size	6"	6"	6"	6"	6"
Construction (Steel)	Up to 3/16"	Up to 3/16"	Up to 5/16"	Up to 5/16"	Up to 5/16"
Weight (body)	285 lbs.	285 lbs.	265 lbs.	380 lbs.	380 lbs.
PERFORMANCE					
Emissions	4.4 Grams/Hr.	4.4 Grams/Hr.	0.89 Grams/Hr.*	1.9 Grams/Hr.	1.9 Grams/Hr.
Heating Capacity	750 to 1,200 Sq. Ft.	750 to 1,200 Sq. Ft.	650 to 1,000 Sq. Ft.	1,200 to 2,000 Sq. Ft.	1,200 to 2,000 Sq. Ft.
Heat Output (Cord Wood)	66,800 BTU's/Hr.	66,800 BTU's/Hr.	48,500 BTU's/Hr.	72,400 BTU's/Hr.	72,400 BTU's/Hr.
Efficiency	Up To 79.6%	Up To 79.6%	Up To 76.5%	Up To 78.8%	Up To 78.8%
Maximum Burn Time	Up To 8 Hours	Up To 8 Hours	Up To 7 Hours	Up To 10 Hours	Up To 10 Hours
Firebox Size	1.6 Cubic Ft.	1.6 Cubic Ft.	1.2 Cubic Ft.	2.2 Cubic Ft.	2.2 Cubic Ft.
Maximum Log Size	Up to 18"	Up to 18"	Up to 18"	Up to 18"	Up to 18"
CLEARANCES	Masonry Metal (ZC)	Masonry Metal (ZC)	Measured from floor	Masonry Metal (ZC)	Masonry Metal (ZC)
A = Firebox to Mantel	15-1/2" 24"	15-1/2" 24"	37-1/2"*	30-1/2" 24"	30-1/2" 24"
With Mantel Shield	N/A N/A	N/A N/A	N/A	22-1/2" N/A	22-1/2" N/A
B = Firebox to Top Facing	12" 12"	12" 12"	37-1/2"*	28-1/2" 12"	28-1/2" 12"
With Mantel Shield	N/A N/A	N/A N/A	N/A	20-1/2" N/A	20-1/2" N/A
C = Firebox Side to Side Facing	9-1/2" 12"	9-1/2" 12"	6-1/4"	13" 12"	13" 12"
D = Firebox Side to Side Wall	13" 30"	13" 30"	11-5/8"	15" 30"	15" 30"
FIREPLACE SIZING	Masonry Metal (ZC)	Masonry Metal (ZC)	Masonry or Metal (ZC)	Masonry Metal (ZC)	Masonry Metal (ZC)
E = Minimum Depth	14-1/2" 15-1/2"	14-1/2" 15-1/2"	14"	13-1/8" 14-1/8"	13-1/8" 14-1/8"
F = Minimum Front Width	23-5/8" 25-5/8"	23-5/8" 25-5/8"	27", 34-3/4" w/GreenStart	24-1/4" 26-1/4"	24-1/4" 26-1/4"
G = Minimum Back Width	23-5/8" 25-5/8"	23-5/8" 25-5/8"	19-1/4"	21-5/8" 23-5/8"	21-5/8" 23-5/8"
H = Minimum Height	20-3/4" 20-3/4"	20-3/4" 20-3/4"	19" * Add 4" to rear if using flue adapter	19-3/4" 19-3/4"	19-3/4" 19-3/4"
I = Minimum Hearth Depth	18" US 20" CAN	18" US 20" CAN	17-1/2" US 19-1/2" CAN	26" US 28" CAN	26" US 28" CAN
PANEL SIZES	Single Piece Panels	Single Piece Panels	Single Piece Panel	Three Piece Panels	Three Piece Panels
Rectangular Panels	SM: 28-1/2" H x 40" W LG: 30-1/2" H x 42" W	SM: 28-1/2" H x 40" W LG: 30-1/2" H x 42" W	38" H x 25" W	27-5/8" H x 40-3/8" W 29-5/8" H x 44-3/8" W 31-5/8" H x 48-3/8" W	27-5/8" H x 40-3/8" W 29-5/8" H x 44-3/8" W 31-5/8" H x 48-3/8" W
Custom One Piece Rectangular and Arched Panels available through Special Order.					

CLEARANCES TO UNPROTECTED COMBUSTIBLES: SIZING YOUR FIREPLACE FOR AN INSERT:

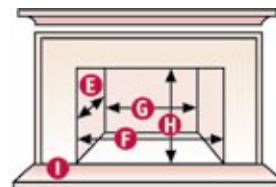
Use these illustrations in conjunction with the information under the "Clearance" & "Alcove" headings above.

All Inserts must have a non-combustible hearth pad that extends a minimum of 16" in front of the insert and 8" to the sides.



Use these illustrations in conjunction with the information under the "Fireplace Sizing" headings above.

Please use the provided chart on the right to mark down your fireplace dimensions. This will assist you in determining the right Lopi insert for your fireplace.



Your Fireplace Measurements

- E. = Depth _____
- F. = Front Width _____
- G. = Back Width _____
- H. = Height _____
- I. = Hearth Depth _____

APPROVED ZC FIREPLACES:

The Answer, Revere and Declaration Plus inserts are approved for Marco®, Majestic®, Heatilator®, Superior®, Preway® and Tempco® zero clearance fireplaces. See the Owner's Manual for details.

For installation specifications refer to the Owner's Manual found on the Lopi website.



CAPE COD



FLUSH WOOD PLUS



FREEDOM



FREEDOM BAY



LARGE FLUSH WOOD

	MEDIUM	MEDIUM	LARGE	LARGE	LARGE
SPECIFICATIONS					
Width	28-7/8" front, 18-7/8" back	28-7/8" front, 18-7/8" back	29-1/4"	43-3/4"	31" front, 20-3/4" back
Height	21-1/2"	21-1/2"	21-3/4"	21-3/4"	23-1/2" front, 22" back
Depth (overall)	20-1/4"	19"	20-1/2"	20-1/2"	19"
Depth on Hearth	2-1/2"	1-1/4"	7" (ext), 1-5/8" (fl)	4-3/4"	0"
Depth into Fireplace	17-3/4"	17-3/4"	14-1/2" (ext), 19-7/8" (fl)	15-3/4"	18"
Flue Size	6"	6"	6"	6"	6"
Construction	Cast Iron and steel	Up to 5/16"	Up to 5/16"	Up to 5/16"	Up to 5/16"
Weight (body)	500 lbs.	450 lbs.	455 lbs.	470 lbs.	530 lbs.
PERFORMANCE					
Emissions	4.4 Grams/Hr.	4.4 Grams/Hr.	3.2 Grams/Hr.	2.6 Grams/Hr.	0.58 Grams/Hr.
Heating Capacity	1,200 to 2,000 Sq. Ft.	1,200 to 2,000 Sq. Ft.	1,200 to 2,250 Sq. Ft. (ext) 1,200 to 2,000 Sq. Ft. (fl)	1,200 to 2,250 Sq. Ft.	1,500 to 2,500 Sq. Ft.
Heat Output- Up To (Cord Wood)	73,300 BTU's/Hr.	73,300 BTU's/Hr.	73,300 BTU's/Hr.	74,300 BTU's/Hr.	83,220 BTU's/Hr.
Efficiency (DEQ)	Up To 76.9%	Up To 76.9%	Up To 71.1%	Up To 70%	Up To 80.3%
Maximum Burn Time	Up To 10 Hours	Up To 10 Hours	Up To 12 Hours	Up To 12 Hours	Up To 12 Hours
Firebox Size	2.2 Cubic Ft.	2.2 Cubic Ft.	2.9 Cubic Ft.	3.1 Cubic Ft.	3.0 Cubic Ft.
Maximum Log Size	Up to 24"	Up to 24"	Up to 24"	Up to 24"	Up to 24"
CLEARANCES					
A = Firebox to Mantel	Masonry 41-1/2"* Metal (ZC) 41-1/2"*	Masonry 41-1/2"* Metal (ZC) 41-1/2"*	Masonry (ext) 32" Masonry (fl) 20"	Masonry 32"	41"*
With Mantel Shield	N/A N/A	N/A N/A	19" N/A	19"	
B = Firebox to Top Facing	39"* 39"*	39"* 39"*	30" 20"	30"	37"*
With Mantel Shield	N/A N/A	N/A N/A	17" N/A	17"	
C = Firebox Side to Side Facing	9" 9"	9" 9"	13-1/2" 13-1/2"	13-1/2"	5-1/2"
D = Firebox Side to Side Wall	9" 9"	9" 9"	15" 15"	15"	10-1/2"
FIREPLACE SIZING					
E = Minimum Depth	Masonry 17-3/4" Metal (ZC) 18-3/4"	Masonry 17-3/4" Metal (ZC) 18-3/4"	Masonry (EXT) 14-1/2" Masonry (FL) 19-7/8"	Masonry Only 15-3/4"	Masonry or Metal (ZC) 19"
F = Minimum Front Width	30-7/8"*** 30-7/8"***	30-7/8"*** 30-7/8"***	29-1/4" 29-1/4"	29-1/4"	33", 40-3/4" W/GreenStart
G = Minimum Back Width	18-7/8" 20-7/8"	18-7/8" 20-7/8"	21-1/4" 21-1/4"	29-1/4"	20-3/4"
H = Minimum Height	21-1/2" 21-1/2"	21-1/2" 21-1/2"	21-3/4" 21-3/4"	21-3/4"	23-1/2" Front, 22" Rear
I = Minimum Hearth Depth	17-1/4" US 19-1/4" CAN	17-1/4" US 19-1/4" CAN	22" US 24" CAN 16-5/8" US 18-5/8" CAN	20-3/4" US	18" US & CAN
PANEL SIZES					
Rectangular Panels	Come with cast iron panels. Covers	Single Piece Panels SM: 42"H x 30-1/2"W LG: 44"H x 34"W	Single Piece Panels SM: 42"H x 30-1/2"W LG: 44"H x 34"W	Three Piece Panels 29-1/2"H x 45-3/8"W 31-1/2"H x 49-3/8"W 33-1/2"H x 53-3/8"W	Single Piece Panels SM: 32-1/2"H x 42"W LG: 35"H x 47"W
Custom One Piece Rectangular and Arched Panels available through Special Order.	41-3/4"W x 30-3/4"H	Three Piece Panels also available			

*Mantel and Top Facing measured from front base of insert.

**GreenStart® igniter option requires additional 6" firebox width measured 4" from front of fireplace opening.

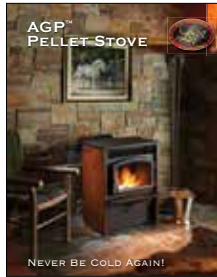


Scan the QR code to take the video tour of our plant or register online to take the plant tour in person.

Emissions for the Small Flush Wood and Large Flush Wood were achieved using the EPA Method 5-G and 28A. Efficiency For the 1250i, 1750i, Answer, Revere, Cape Cod, Flush Wood Plus, Freedom and Freedom Bay achieved using B415.1 test method, and the LHV value for the test fuel at the Medium Low Burn Rate (IRS Method). Efficiency for the Small Flush Wood and Large Flush Wood were achieved using the weighted average of the Low, Med-Low, Med-High and High Burn Rates, during the EPA Method 5-G and 28A emissions series using the B415.1 standard and HHV for the test fuel.

Only the most professional specialty hearth retailers are selected to sell Lopi stoves, inserts and fireplaces. They represent our total commitment to exceptional products and excellent service. In addition, they have successfully completed special training programs in the proper selection, installation, and service of all Lopi products.

Your professional Lopi hearth dealers are experts who can advise you on everything from customizing the color of your appliance to selecting appropriate venting and chimney materials. They can show you Lopi models on display, including working models actually burning.



Lopi produces a wide variety of quality wood, pellet, gas and electric hearth appliances. Find your favorite fire today by visiting: USA www.lopistoves.com - CANADA www.lopi.ca



Children, like most of us are fascinated by fire and for families with young children, fireplaces pose a potential safety hazard. Take the time to educate young children about the dangers of fire and the hot surface temperatures of glass and metal surrounding the wood burning appliance. If you have an infant or toddler consider installing a firescreen; make sure it's tall enough so that children can't climb over it, and that it's placed far enough away so that reaching arms can't touch the surfaces of the fireplace. A few precautions such as these will allow everyone in your home to safely enjoy the comfort and warmth of your new insert.

YOUR LOPI AUTHORIZED DEALER:



Manufactured in
Mukilteo, WA

©08/2016 Printed in U.S.A. #98800730

Travis Wood Burning Fireplaces, Stoves and Inserts are protected by one or more of the following patents; U.S. 9,170,025, 4,665,889 as well as other U.S. and Foreign Patents pending Lopi reserves the right to alter or improve its products at any time without notification. All trademarks belong to Travis Industries. For installation specifications refer to the Owner's Manual found on the Lopi website.