

PREMIUM TRADITIONAL GAS FIREPLACES

FIREPLACE
XTRORDINAIR



The Right Fireplace Company For You

"For forty years, we have been passionate about the science and art behind making beautiful fireplaces for homes in North America.

We utilize the finest materials and subject them to vigorous testing standards to make fireplaces that stand up to the rigors of time. These fireplaces are the best money can buy.

We have a worldwide reputation for award-winning innovations in fireplace design, and yet the most significant recognition to me is when a family entrusts us to be their fireplace of choice.

Take your time, enjoy looking through this catalog and keep the home fires burning."



A handwritten signature in black ink, which appears to read "Kurt W. F. Rumens". The signature is fluid and cursive, written over a white background.

Kurt W. F. Rumens,
President & Director of Product Design
Travis Industries, House of Fire





Choosing the Right Fireplace Model for Your Home

Fireplace Xtrordinair® offers ten extraordinary models of premium traditional gas burning fireplaces, with dozens of beautiful designer faces and fireback combinations to personalize your fireplace. While every one of these fireplaces embody the same attention to detail in design and construction, each fireplace collection is quite unique. Sizing and heating capacity range from the petite Bed & Breakfast® to the enormous 4237 fireplace.

Beauty Is Not Optional

All models are available with a wide range of designer faces and grills to personalize the look of your fireplace. Most models offer a “clean face” choice as well, which closely replicates the look of a traditional masonry fireplace with very little metal around the fireviewing glass.

Powerful Heaters

Our premium gas fireplaces are designed to provide radiant heat through the huge fireviewing glass and natural convection through the heat exchanger. This provides the most efficient way possible to keep your home warm and comfortable.

No Power? No Problem!

All Fireplace Xtrordinair® fireplaces will work in a power outage with only one exception: if utilizing the Power Exhaust Vent, electricity is required to operate the fireplace.

Innovations

We are known the world over to be the most creative group of innovators and designers, bringing life to innovations such as:

- Ember-Fyre® (page 8)
- GreenSmart® (page 37)
- Ember-Glo™ (page 23)
- CoolSmart TV Wall™ (page 23)



Bed & Breakfast® TRV Deluxe

This top or rear vent (TRV) fireplace is ideal for small, intimate settings such as bedrooms, bathrooms and kitchens.

16,500 BTUs

864 COLLECTION



864 TRV 31K Deluxe

864 square inches of glass is featured to display a bold, beautiful fire. Top or rear venting (TRV) makes installations flexible and is compatible with our CoolSmart TV Wall™ option, which keeps TV clearances safe and attractive. This model also features new Ember-Glo™ under-lit ember bed lighting.

31,000 BTUs



864 TRV 31K Clean Face Deluxe

This model is identical to the 864 TRV 31K, but features a “clean face” look without grills or facing.

31,000 BTUs

4237 TV - GREAT ROOMS

 PAGES 30-33


4237 TV Deluxe

This model is our largest heater. The 4237 appears to be a large masonry fireplace while embodying the performance and functionality of today's superior gas heating technology. This model can be installed as a “clean face”, or you can select the double door accessory.

60,000 BTUs



564 TRV 25K Deluxe

This top or rear vent (TRV) model has 564 square inches of glass and is perfect for family rooms. This Deluxe fireplace offers new features such as adjustable overhead Accent Lights, Ember-Glo™ ember bed lighting and the optional CoolSmart TV Wall™.

25,000 BTUs



564 TRV 25K Clean Face Deluxe

This model is identical to the 564 TRV 25K Deluxe, but features a decorative trim rather than a designer face.

25,000 BTUs



564 TV High Output Deluxe

This model maintains the installation flexibility and similar compact footprint of the 564 TRV 25K Deluxe, while featuring a significant increased heating capacity and your choice of three different burners.

35,000 BTUs

LARGE GATHERING SPACES PAGES 16-25



864 TV 40K Deluxe

This fireplace has the huge 864 square inch glass panel and delivers a big fire with a high heat output. This top vent fireplace can also be installed with a CoolSmart TV Wall™ option and features new Ember-Glo™ under-lit ember bed lighting.

40,000 BTUs



864 TV 40K Clean Face Deluxe

This model is the "clean face" version of the 864 TV 40K, offering a look that resembles a traditional masonry fireplace and allows tile or other non-combustible finishes to be installed close to the glass.

40,000 BTUs



864 TSV See-Thru Basic

Designed to be enjoyed from two different rooms at once, the double preview features 1,728 square inches of glass to showcase a beautiful fire in both rooms.

37,500 BTUs



Bed & Breakfast® TRV



564 Collection



864 Collection



4237 TV

NOTE: "Deluxe" models include the GreenSmart® Remote Control, Quiet Convection Fan and Accent Lights.

Bed & Breakfast® TRV Deluxe Intimate Spaces

- Single Model -

The Bed & Breakfast® Top or Rear Vent (TRV) Deluxe portrait style gas fireplace is designed for intimate spaces such as bedrooms, bathrooms and kitchens. With a 16,500 BTU maximum input this fireplace heats up to 650 square feet. The Bed & Breakfast® TRV features the award-winning Ember-Fyre® Burner, 394 square inches of high quality ceramic glass, a 90 CFM convection fan and rear Accent Lights.

- Viewing Area: Ceramic Glass
- Heating Capacity: Up to 650 square feet
- BTU Input Per Hour: 6,000 (NG) 5,000 (LP) to 16,500 (NG/LP)
- Steady State Efficiency: Up to 77.94% (NG), 81.71% (LP)
- EnerGuide P4 Efficiency: 67.62% (NG) 71.28% (LP)



This cozy beach cabin features the Bed & Breakfast® TRV with the Classic Arch Face and Beehive Brick Fireback.

Bed & Breakfast® TRV Deluxe Gas Fireplace

A quaint Bed & Breakfast overnight stay in the High Sierra Mountains inspired the design for the Bed & Breakfast® TRV fireplace. As the name suggests, the Bed & Breakfast® TRV embodies the beauty and warmth of fire in any cozy space. The tall portrait style of this award-winning fireplace is designed to be showcased off the floor.



The Bed & Breakfast® TRV Features Ember-Fyre® Burner Technology

Is it a Wood Fire or a Gas Fire?



Awarded 'Best of What's New' by Popular Science®

You'll be amazed at the realism of our patented Ember-Fyre® burner technology. Known for its gorgeous, dancing yellow flames and high-definition detailed logs, Ember-Fyre® is the most realistic wood-like gas fire available.

Ember-Fyre® Protected By U.S. Patent #6,602,068, #6,443,726 and other patents pending.



**Popular
Science**

GreenSmart® Technology

The Bed & Breakfast® TRV fireplace features the GreenSmart® Remote Control, Accent Lights and 90 CFM convection fan.

See page 37 for more information on our exciting GreenSmart® features.



Bed & Breakfast® TRV Designer Faces and Firebacks

All faces are 21-1/8" W x 35-7/8" H



Classic Arch™ Black Painted Face



French Country™ Black Painted Face



Artisan™ Charcoal Painted Face



Artisan™ Bronze Patina Face

Fireback Options



Brick Beehive Fireback



Travertine Fireback



This eclectic sitting room features the 564 TRV 25K Clean Face Deluxe with Beveled Tile Trim Kit, Birch Logs, and Stacked Tan Brick Fireback options.

564 Collection of Fireplaces Bedrooms & Family Rooms

- Three Models -

The 564 Collection includes three mid-sized fireplace models featuring 564 square inches of glass. BTUs range from 25,000 to 35,000. **Brand new features** of the 564 TRV 25K models include your choice of Classic Oak or Birch Log Sets, adjustable overhead Accent Lights, Ember-Glo™ ember bed lighting and the optional CoolSmart TV Wall™. The size and heating capacities of these fireplaces are perfect for heating individual rooms in the home, such as bedrooms, home offices and family rooms.



This sitting room features the 564 TRV 25K Deluxe adorned with the Classic Arch Face, Handmade Brick Fireback, and Classic Oak Log set options.

BRAND NEW

564 TRV 25K Deluxe

- Two Models -

564 TRV 25K Deluxe & 564 TRV 25K Clean Face Deluxe

The shallow firebox design of the 564 TRV 25K takes up less space in your home, which makes installing this fireplace simple. This allows you the flexibility of adding fire to almost any room in your home. This top or rear vent (TRV) 25,000 BTU fireplace is available as a **Deluxe** model featuring our beautiful designer faces (see pages 26-29), or a **Clean Face Deluxe** model. The 564 TRV 25K comes standard with new Ember-Glo™ ember bed lighting, adjustable overhead Accent Lights, and your choice of Classic Oak or Birch Log Sets. You can also add the CoolSmart TV Wall™ option.

Both **Deluxe** models include our most popular options, namely, a quiet 180 CFM convection fan and the GreenSmart® Remote Control. See page 37 for more information on our exciting GreenSmart® features.

- Viewing Area: Tempered Glass
- Heating Capacity: Up to 1,250 square feet
- BTU Input Per Hour: 7,500 (NG) 6,500 (LP) to 25,000 (NG/LP)
- Steady State Efficiency: Up to 79.67% (NG), 80.16% (LP)
- EnerGuide P4 Efficiency: 70.28% (NG) 71.10% (LP)

564 TV High Output Deluxe

- Single Model -

The 564 TRV High Output Deluxe is a very unique fireplace in our 564 collection for two reasons:

- 1) This model features your choice of three burner options: the beautiful Dancing-Fyre™ Burner, award-winning Ember-Fyre® Burner, or the contemporary Diamond-Fyre™ Burner.
- 2) This fireplace really delivers the heat – with a 35,000 BTU input and high heat transfer ceramic glass, this model is ideal for larger rooms in your home or colder climates.

The 564 Top Vent (TV) High Output Deluxe features the GreenSmart® Remote Control, 180 CFM Convention Fan, Ceramic Glass and Accent Lights. See page 37 for more information on our exciting GreenSmart® features. Find more inspiring options on pages 26 - 29.

- Viewing Area: Ceramic Glass
- Heating Capacity: Up to 1,700 square feet
- BTU Input Per Hour: 10,400 (NG) 7,500 (LP) to 35,000 (NG/LP)
- Steady State Efficiency: Up to 78.1% (NG), 79.69% (LP)
- EnerGuide P4 Efficiency: 64.64% (NG) 66.08% (LP)



Dancing-Fyre™ Burner & Logs

The Dancing-Fyre™ steel burner is featured on most of the fireplaces in our lineup. Dancing-Fyre™ is a beautiful representation of fire with detailed logs and an organic, realistic flame pattern.



Ember-Fyre® Burner & Logs

The award-winning Ember-Fyre® ceramic burner is known for its gorgeous, dancing yellow flames flickering around a high definition log set and glowing embers, presenting the most realistic wood-like fire available. See more on page 8.



Popular Science



This living room features the 564 TV High Output Deluxe with our Custom Shop IronWorks™ Double Door Face, award-winning Ember-Fyre® Burner, and Ledgestone Fireback options.



Driftwood Fire Art™



Fyre-Stone™ Rock Kit



Diamond-Fyre™ Burner & Fyre-Art™

The Diamond-Fyre™ steel burner is perfect for those wanting a contemporary display of fire. This burner features an under-lit bed of colored crushed glass, along with optional Driftwood or Fyre-Stones.



This living room features the 864 TV 40K Fireplace with the Metropolitan™ Face, Common Brick Fireback and Classic Oak Log Set.

864 Collection of Fireplaces

Large Gathering Spaces

- Five Models -

The 864 Collection is comprised of five large sized models featuring 864 square inches of glass. The size and heating capacities of these fireplaces are ideal for providing warmth to living rooms and other large spaces in the home. This collection includes the only see-thru model in our lineup, along with four models that have **brand new features**, such as Ember-Glo™, adjustable overhead Accent Lights, your choice of 10-piece Birch or Classic Oak Log Sets, and the CoolSmart TV Wall™ option.

BRAND NEW

864 TRV 31K Deluxe

- Two Models -

864 TRV 31K Deluxe & 864 TRV 31K Clean Face Deluxe

The 864 TRV 31,000 BTU fireplace is perfect for anyone looking to display a big beautiful fire that provides supplemental year-round heat to spaces up to 1,400 square feet. This top or rear vent (TRV) fireplace is available as a **Clean Face Deluxe** model, or a **Deluxe** model with one of our beautiful designer faces (see pages 26-29). The 864 TRV 31K includes new features such as Ember-Glo™ ember bed lighting, adjustable overhead Accent Lights, the CoolSmart TV Wall™ option and your choice of stunning 10-piece Classic Oak or Birch log sets.

In addition to the great new features listed above, both of these **Deluxe** models feature the GreenSmart® Remote Control and 180 CFM convection fan. See page 37 for more information on our exciting GreenSmart® features.

- Viewing Area: Tempered Glass
- Heating Capacity: Up to 1,400 square feet
- BTU Input Per Hour: 10,000 (NG) 8,000 (LP) to 31,000 (NG/LP)
- Steady State Efficiency: Up to 80.38% (NG), 81.21% (LP)
- EnerGuide P4 Efficiency: 71.48% (NG) 71.02% (LP)

Choose Your Log Set



Classic Oak
10 Piece high definition log set



Birch
10 Piece high definition log set



The enduring design of the Legacy™ Face with the Herringbone Brick Fireback and Classic Oak Log Set is a complementary combination in this classically styled living room.



The 864 TV 40K Clean Face Deluxe model features the 2" Trim Kit, Birch Log Set, and the Polished Concrete Mantel from our Custom Shop.

BRAND NEW

864 TV 40K Deluxe

- Two Models -

864 TV 40K Deluxe & 864 TV 40K Clean Face Deluxe

The 864 TV 40K is our 'best in class' fireplace. This top vent (TV) 40,000 BTU fireplace is ideal for heating larger homes and living spaces up to 2,000 square feet. The 864 TV 40K is available as a **Clean Face Deluxe** model, or a **Deluxe** model featuring our wide selection of designer faces (see pages 26-29). This fireplace includes new features such as Ember-Glo™ ember bed lighting, adjustable overhead Accent Lights, the optional CoolSmart TV Wall™ and your choice of our beautiful 10-piece detailed Classic Oak or Birch log sets.

This **Deluxe** fireplace also features the GreenSmart® Remote Control and 180 CFM convection fan. Learn more about our exciting GreenSmart® features on page 37.

- Viewing Area: Ceramic Glass
- Heating Capacity: Up to 2,000 square feet
- BTU Input Per Hour: 11,000 (NG) 12,000 (LP) to 40,000 (NG/LP)
- Steady State Efficiency: Up to 82.04% (NG), 83.93% (LP)
- EnerGuide P4 Efficiency: 72.59% (NG) 74.19% (LP)

Choose Your Log Set



Classic Oak
10 Piece high definition log set



Birch
10 Piece high definition log set



This living room features the 864 TV 40K Deluxe with the MetalSmith™ Face from our Custom Shop, Black Glass Fireback, and Birch Log Set.

Two New Features Found with the 564 TRV 25K, 864 TRV 31K and 864 TV 40K Fireplaces



1. Ember-Glo™ (Included)

Ember-Glo™ combines adjustable halogen under-lighting with colored glass and embers in front of the fire to provide an amazingly realistic ember bed effect.

This new dramatic feature is turned on and off with the GreenSmart® Remote Control.



2. CoolSmart TV Wall™ (Optional)

- (A) Cool room air is naturally pulled into the bottom of the convection chamber surrounding the firebox.
- (B) If the convection fan is turned on, a major portion of the heated air is returned to the room above the fireviewing glass.
- (C) The CoolSmart TV Wall™ allows a TV to be safely installed above the fireplace (minimum distance above fireplace of 11-1/2").
- (D) If the fan is turned off, cool room air (A) and the majority of the heated convection air (B) are naturally drawn up through the CoolSmart Heat Vent (D) and returned to the room above the TV.

864 TSV See-Thru

- Single Model -

The 864 TSV See-Thru is the perfect choice for anyone wanting to divide a large living space or integrate two separate rooms. The unique see-thru design allows you to personalize each side of the fireplace, and the beautiful 9-piece log set offers a different look from either side. This top or side vent (TSV) model features a 37,500 BTU input and provides heat up to 1,500 square feet, making it perfect for medium to large homes or living spaces.

This model features side Accent Lights. The GreenSmart® Remote Control, along with the 130 CFM convection fan (which delivers heated air on both sides of the fireplace) are optional accessories. Learn more about our exciting GreenSmart® features on page 37.

- Viewing Area: Tempered Glass
- Heating Capacity: Up to 1,500 square feet
- BTU Input Per Hour: 14,700 (NG) 10,000 (LP) to 37,500 (NG/LP)
- Steady Sstate Efficiency: Up to 83.07% (NG), 85.92% (LP)
- EnerGuide P4 Efficiency: 74.55% (NG) 73.99% (LP)

Optional Brick Side Panels



Common Brick



Herringbone Brick



This bedroom/bathroom has the Mission Black Painted Grills and Common Brick side panel options.

Decorative Grills & Trims Kits for 564 & 864 Fireplaces

Decorative Grills

564: 36-1/4" W x 30-1/4" H
864: 41" W x 36-5/8" H



Basic Grills, Black Painted
Arched frame may be removed.



Basic Louvers, Black Painted



Mission Grills, Black Painted

Trim Kits For Clean Face Models



Beveled Tile Trim Kit

A sleek, modern look with beveled edges. Accommodates 1/2" - 1-1/2" facing thickness.



2" Trim Kit

A simple decorative option that beautifully frames the fire to offer a clean, finished look.

Designer Faces for 564 & 864 Fireplaces



Classic Arch, Black Painted

564 Models:
36-1/8" W
29-1/16" H

864 Models:
40-3/4" W
35-1/2" H



French Country™, Black Painted



Legacy™, Black Painted

564 Models:
36-1/8" W
29-1/16" H

864 Models:
40-3/4" W
35-1/2" H



Legacy™, Carbon Patina



Metropolitan™, Black Painted

564 Models:
36-1/8" W
29-1/16" H

864 Models:
40-3/4" W
35-1/2" H
← 35-5/8" H →



Rectangular Double Door, Black Painted



Shadowbox™, Satin Black

564 Models
Only:
45-1/4" W
32-1/4" H



Shadowbox™, Brushed Nickel

Forged Collection Faces for 564 & 864 Fireplaces



Timberline™, Bronze Patina

564 Models:
36-1/8" W
29-1/16" H

864 Models:
40-7/8" W
36-5/8" H



Timberline™, Burnished Patina



IronWorks™, Bronze Patina

564 Models:
36-1/8" W
29-1/16" H

864 Models:
40-7/8" W
35-5/8" H



IronWorks™, Burnished Patina



Artisan™, Charcoal Painted

564 Models:
36-1/8" W
29-1/16" H

864 Models:
40-3/4" W
35-1/2" H



Artisan™, Bronze Patina



MetalSmith™, Embossed
and Carbon Patina

564 Models:
36-1/8" W x 29-1/16" H

864 Models:
40-3/4" W x 35-1/2" H

Decorative Firebacks for 564 & 864 Fireplaces

Personalize the inside of your fireplace with one of our many stunning firebacks.

Note: Firebacks are optional on all 564 and 864 models and required on the 564 TV High Output.



Reversible Common Brick/Herringbone Brick



Handmade Brick



Reversible Old World Stucco/Diamond Mosaic



Ledgestone



Stacked Tan Brick



Black Glass

Optional Fans



130 CFM Convection Fan is optional with the 864 TSV See-Thru.

4237 TV Deluxe

Great Rooms

- Single Model -

The grandest of our premium fireplaces, the 4237 Top Vent (TV) **Deluxe** is a massive showstopper that is perfect for great rooms with its 42" wide by 37" high (1,554 square inches) glass and generous heat output. The magic of the 4237 TV lies within its ability to express the appeal of an open masonry fireplace while embodying the performance and functionality of today's superior gas heating technology. The 4237 TV features a beautiful fireview, with 10-piece detailed Bon-Fyre™ and Western Timber™ log sets to choose from. This top vent fireplace is available as a "clean face" installation, or you can add the hand-hammered IronWorks™ double doors (*shown to the right*).

The 4237 TV is a full feature **Deluxe** fireplace. Just as the name "Deluxe" implies, this fireplace includes the GreenSmart® Remote Control, 260 CFM Convection Fan and overhead Accent Lights. See page 37 for more information on our exciting GreenSmart® features.

- Viewing Area: Ceramic Glass
- Heating Capacity: Up to 3,000 square feet
- BTU Input Per Hour: 32,089 (NG) 30,887 (LP) to 60,000 (NG/LP)
- Steady State Efficiency: Up to 79.54% (NG), 81.19% (LP)
- EnerGuide P4 Efficiency: 66.41% (NG) 67.50% (LP)



This grand space features the 4237 TV Deluxe with the IronWorks™ Double Doors and Lodge Ring Handle, 10 Piece Western Timber™ Log Set, Handmade Brick Fireback, Lodge Ring Andirons, and Hand-Hewn Timber Mantel from our Custom Shop.



This great room features the 4237 TV installed as a "clean face" with the Beveled Tile Trim Kit, Bon-Fyre™ Log Set and Black Enamel Fireback.

Decorative Firebacks for 4237 TV Fireplace (Required)



Herringbone Brick



Handmade Brick



Stacked Tan Brick



Black Enamel

Log Set Options



Bon-Fyre™
10 Piece high definition log set



Western Timber™
10 Piece high definition log set

Trim Kits for "Clean Face" Installation

All trims accommodate 1/2" - 1" facing thickness.



The Beveled Tile Trim Kit features a sleek, modern look with beveled edges.



The 2" Trim Kit provides a simple decorative option that beautifully frames the fire to offer a clean, finished look.



The Ironworks™ Trim is a hand-hammered bronze patina option from our Custom Shop to add style and color to your fireplace.

Double Door Option

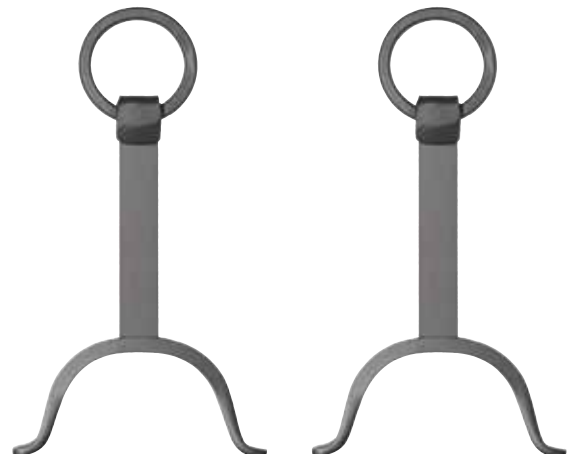


IronWorks™ - 45-5/8" W x 39-3/8" H
The Ironworks™ Double Doors from our Custom Shop is hand crafted by in-house blacksmiths through a labor intensive forging process. Shown with optional Lodge Ring Handle.

Lodge Ring Andirons

Make your fireplace even more authentic with our Lodge Ring andiron set.

(Not available with Bon-Fyre™ Logs)





Markus, one of our master craftsmen, works on hand-forging parts for our beautiful IronWorks™ doors

Custom Shop

The Custom Shop features all of the unique hand-crafted, hand-painted and hand-hammered items that our artists craft at the House of Fire. The texture and luster make each piece a bold statement of indulgent artistry.

Custom Shop Pieces

CASTINGS

- Hand-Hewn Timber Mantel & Legs
- Polished Gray Concrete Mantel and Hearth
- Cedar Mantel and Hearth
- Bon-Fyre™ Log Set

STEEL FORGING

- Artisan™ Face Collection
- IronWorks™ Face Collection
- Timberline™ Face Collection
- MetalSmith™ Face Collection

Custom Hand-Forged Face Designs

Each Artisan™ IronWorks™, Timberline™, and MetalSmith™ face is hand crafted by in-house blacksmiths through a skillful and labor intensive metal forging process. From start to finish this process requires focus, stamina and an artful eye. Every individual piece of metal is heated in a forge at extremely high temperatures, hand-hammered and worked multiple times to complete an authentic finished product with textured surfaces, hammered edges and incredible attention to detail. Each face is an individual custom work of art that bears unique, subtle characteristics from the hands of its creator.



Hand-Rubbed Bronze Patina

This finish features warm undertones that are absorbed deep into the metal, giving it the luster and beauty of an oil-rubbed bronze piece of art.



Hand-Rubbed Burnished Patina

This finish offers a timeless look that resembles worn, aged steel with beautiful textures that create subtle high and low lights.



*This traditional home features the 864 TRV 31K
Deluxe with the Common Brick Fireback and
Artisan™ Bronze Patina Face from our Custom Shop.*

Custom Shop Mantels

(for all models)

Add a bold statement to your fireplace with one of our unique, hand-crafted mantels that are designed and created by our in-house artists. These non-combustible mantels come in both 5' and 6' lengths, and can also be used as a hearth.

Polished Gray Concrete Mantels

Each mantel is individually crafted to expose a smooth, polished quartz surface that offers a bold, contemporary look.



Hand-Hewn Timber Mantels

This is a realistic reproduction of a 150-year-old fir timber. Our artists individually hand-paint each mantel with incredible attention to detail. We challenge anybody to tell the difference between this reproduction and the authentic timber. Hand-Hewn Timber Legs are available for the 6' mantel to achieve a three-sided Timber mantel installation.



Cedar Mantels

We use a special fiber reinforced cast concrete to reproduce an actual cedar beam. Each mantel is then individually hand-painted.



All of our Deluxe Premium Gas Fireplaces feature the patented GreenSmart® System. This proprietary system is the most innovative collection of components, controls and technology that when combined provides an elegant, greener and smarter way to heat your home.

GreenSmart® Deluxe Multi-Function Wireless Thermostat Remote Control

(Optional with the 864 TSV See-Thru Model)

- Two Thermostat Modes
- Flame Adjustment (6 levels)
- Change Between GreenSmart® and CPI Pilot Modes
- Fan Operation (6 levels)
- Comfort Control™ (Controls rear burner)
- Accent Lights (6 levels)



Manual Setting

ON/OFF, Fire and Fan stay where you manually set it.

Thermostat Setting

Fireplace turns ON or OFF to maintain your desired home/room temperature.

Smart Thermostat Setting

“Smart Thermostat Mode” automatically adjusts the flame height based on the temperature setting, so the flame will modulate up/down as opposed to shutting OFF/ON like normal thermostats. This setting conserves fuel and maximizes the fireplaces heating ability while extending the viewing pleasure of the fire.

Choice of Pilot Modes

Easily Switch Between Pilot Modes:

GreenSmart® Mode

Use in Summer or milder heating days to reduce gas consumption from the Pilot.



CPI - Continuous Pilot Mode

Keeps the Pilot on at all times. This warms the vent system to maintain a strong draft in your chimney and reduce moisture condensation on the glass. Used in Fall/Winter or in cold climate areas.

The GreenSmart® system includes a battery back-up, ensuring proper ignition even during power outages.



Flame Adjustment

Adjust the height/heat of the flame. 6 levels of flame heights to choose from.



Convection Fans

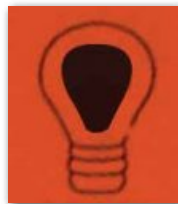
Circulate room air around the firebox and deliver heated air into your home. 6 speeds to choose from.



Comfort Control™

Comfort Control turns off the rear burner while leaving the front burner on for an attractive flame when heat output is not the priority. This feature offers a turn-down ratio of up to 75 percent and offers a more efficient way to heat your home by only burning the correct amount of fuel to keep a constant room temperature.

(This feature is not available on the 4237)



Accent Lights

Accent Lights are a standard feature in all Deluxe fireplaces. This feature adds a warm glow to both the logs and fireplace interior, and can be used when the fire is on or off.

Perfect as a nightlight or soft indirect light for the room, the Accent Lights allow for visual enhancement of your fireplace 365 days a year. 6 levels to choose from.



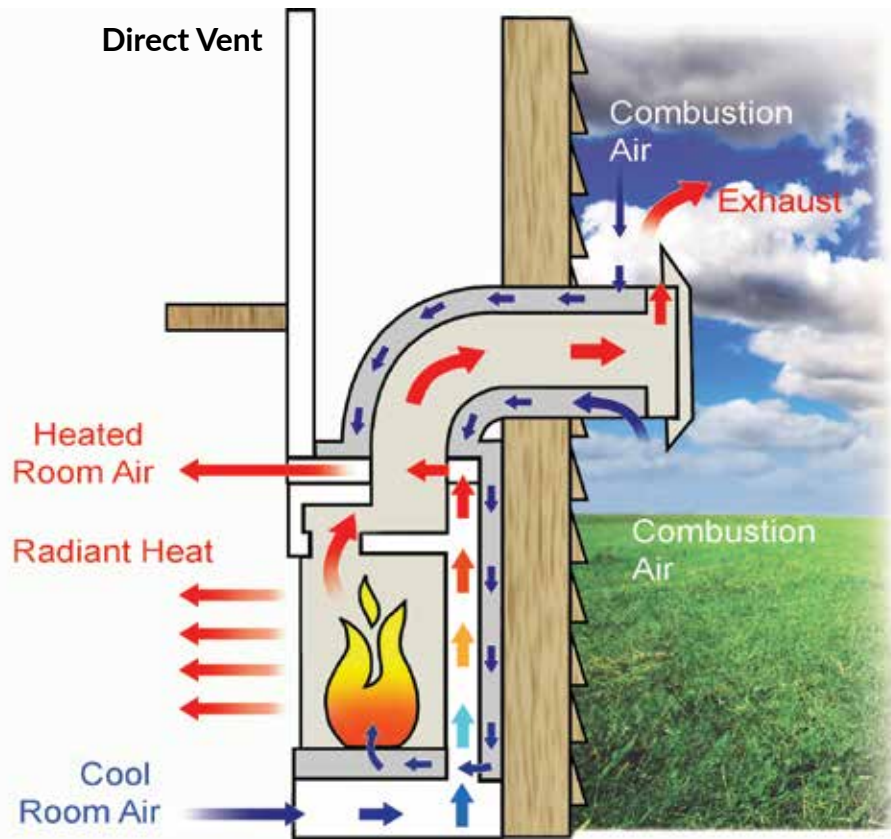
Accent Lights Off



Accent Lights On

All Fireplace Xtrordinair® Gas Fireplaces Feature Direct Venting

The American Lung Association discourages the use of vent-free fireplaces for health and environmental reasons. They recommend homeowners choose only sealed, direct vent gas fireplaces to preserve indoor and outdoor air quality and to prevent by-products such as carbon monoxide, soot and nitrogen dioxide from entering your home. In direct vent installation, combustion air is drawn into a sealed firebox and flue gases are exhausted through a co-linear or co-axial intake/exhaust pipe. Direct vent gas fireplaces also prevent excess moisture from building up in your home. All Fireplace Xtrordinair® direct vent gas fireplaces are sealed and meet the guidelines of the American Lung Association's Health House program.



Power Exhaust Vent Kit Option

Our Power Exhaust Vent Kit allows you to install our gas fireplaces virtually anywhere in your home, by accommodating even the most difficult venting restrictions. This Power Exhaust Vent Kit provides vent runs up to 100 feet, or up to 50 feet either horizontal or vertical, with a maximum of 12 elbows! This option requires electricity to operate your fireplace. (Not available with the Bed & Breakfast model).

HORIZONTAL TERMINATION ONLY

The flush design of the Power Exhaust Vent termination complements any home's exterior.

Add the Beauty of a Fireplace Xtrordinair® Gas Fireplace to Your Outdoor Living Space

Outdoor living rooms and entertainment spaces are among the most requested room additions found in new home construction and remodels. A fireplace is the perfect accompaniment to any outdoor living space, as it provides warmth and comfort on those cool nights, as well as creates a relaxing ambiance and fun gathering place.

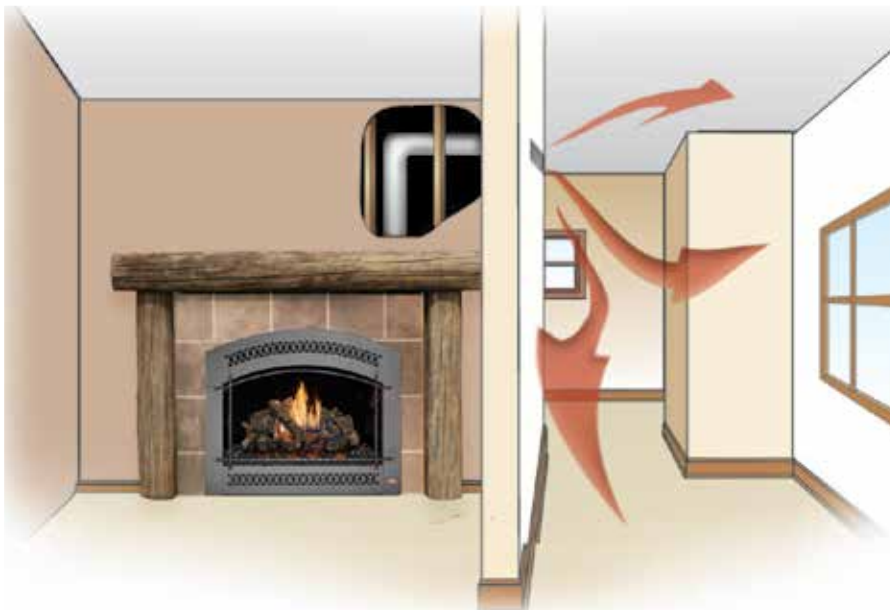
All Fireplace Xtrordinair® gas fireplaces are approved for outdoor installation in a covered area. With our wide variety of fireplace styles, you'll be sure to find one that will complement your outdoor living space.

Your Fireplace Xtrordinair® dealer can answer any questions about installing an outdoor fireplace.

Note: The 864 TSV See-Thru fireplace cannot be installed as an Indoor/Outdoor Fireplace.



Vent Heat To Other Rooms With The Power Heat Duct Kit Option



The Power Heat Duct Kit is perfect for times when you want to enjoy the beauty and ambiance of your fireplace without all the heat in the room the fireplace is located.

This optional feature gives you the ability to redirect up to 50%* of the heat from your fireplace into one or two additional rooms within 20 feet of the fireplace. This allows you to properly manage the heat output throughout your home so that you can maintain a comfortable temperature in your main living space without having to turn down the fire.

** When using two kits.*

(Not available with the Bed & Breakfast and 564 TRV 25K models).

Real World Warranty

Your gas fireplace is backed by a network of Specialty Hearth Dealers and certified factory trained installers. Fireplace Xtrordinair® warrants our products to be free from defects in material and workmanship for a period up to seven years from the date of purchase. All parts, electronics (except light bulbs), and labor are covered for a full two years. Trims and faces are covered for a period of two years. No other manufacturer's warranty can compare.

The dimensions and clearances on this page are for reference only! Refer to the Owner's Manual prior to installation. We recommend all Fireplace Xtrordinair® appliances be installed, and maintained on an annual basis by your Specialty Hearth Retailer.	B & B - Intimate	564 Collection - Bedrooms & Family Rooms		
	Bed & Breakfast TRV Deluxe	564 TRV 25K Deluxe	564 TRV 25K Clean Face Deluxe	564 TV High Output Deluxe
Features & Options You're Gonna Love				
GreenSmart® Basic or Deluxe	Deluxe	Deluxe	Deluxe	Deluxe
Dancing-Fyre™ Burner	N/A	YES	YES	YES
Ember-Fyre® Burner	YES	N/A	N/A	YES
Diamond-Fyre™ Burner	N/A	N/A	N/A	YES
Comfort Control™	YES	YES	YES	YES
Convection Fan	90 CFM	180 CFM	180 CFM	180 CFM
Accent Lights	REAR	OVERHEAD	OVERHEAD	REAR, OVERHEAD Dancing-Fyre™ & Ember-Fyre® BOTTOM, OVERHEAD Diamond-Fyre™
Ember-Glo™	N/A	YES	YES	N/A
Cool Smart TV Wall™ Option	N/A	YES	YES	N/A
Power Exhaust Vent Option	N/A	YES	YES	YES
Power Heat Duct Option	N/A	N/A	N/A	ONE
Specifications Gas appliance performance can be affected by negative pressure in the home and by prevailing atmospheric conditions. Efficiency may vary depending on vent configuration and atmospheric conditions. Contact local building or fire officials about restrictions and installation requirements in your area.				
Height (including standoffs)	34-1/8"	37"	37"	36-1/4"
Width	20-1/8" Front	37-1/4"	38-1/4"	36-1/4"
Depth	13 5/8" TV 12 3/8" RV	17-1/4"	19-1/8"	18-1/4"
Flue Diameter May be reduced. Ask your dealer.	8"	8"	8"	8"
Direct Vent Top Vent	YES	YES	YES	YES
Direct Vent Rear Vent	YES	YES	YES	N/A
Weight	95 lbs.	155 lbs.	155 lbs.	165 lbs.
Glass Size	397 sq. in.	564 sq. in.	564 sq. in.	564 sq. in.
Combustible Min. Mantel Clearances (Measured from base of fireplace to mantle)	Determined by face 4" to 9" above face	35-3/4" - 38-1/2"	35-3/4" - 38-1/2"	40-3/4" - 48-1/2"
Custom Shop Cast Mantel Clearances	N/A	See your Authorized Fireplace Xtrordinair® dealer for details.		
Hearth Requirement	None	None	None	None
Performance				
Heating Capacity (Up To)	650 Sq. Ft.	1,250 Sq. Ft.	1,250 Sq. Ft.	1,700 Sq. Ft.
BTU Input High to Low (NG)	16,500 - 6,000	25,000 - 7,500	25,000 - 7,500	35,000 - 10,400
BTU Input High to Low (LP)	16,500 - 5,000	25,000 - 6,500	25,000 - 6,500	35,000 - 7,500
Turndown Ratio	64% NG 70% LP	70% NG 74% LP	70% NG 74% LP	71% NG 79% LP
Canadian EnerGuide P4 Efficiency	67.62% NG 71.28% LP	70.28% NG 71.10% LP	70.28% NG 71.10% LP	64.64% NG 66.08% LP
Steady State Efficiency High (Up to)	77.94% NG 81.71% LP	79.67% NG 80.16% LP	79.67% NG 80.16% LP	78.10% NG 79.69% LP
AFUE (Annual Fuel Utilization Efficiency)	72.50% NG 72.70% LP	68.10% NG 72.10% LP	68.10% NG 72.10% LP	67.20% NG 65.70% LP
40	NOTE: Improper installation of your gas appliance or failure to operate it in accordance to the guidelines detailed in the Owner's Manual may negate your warranty and endanger your home and family. Installation information is available on our website at www.fireplacex.com .			

864 Collection - Large Gathering Areas **Great Rooms**

864 TRV 31K Deluxe	864 TRV 31K Clean Face Deluxe	864 TV 40K Deluxe	864 TV 40K Clean Face Deluxe	864 TSV See-Thru	4237 TV Deluxe
---------------------------------	--	--------------------------------	---	----------------------------	--------------------------

Deluxe	Deluxe	Deluxe	Deluxe	Basic	Deluxe
YES	YES	YES	YES	YES	YES
N/A	N/A	N/A	N/A	N/A	N/A
N/A	N/A	N/A	N/A	N/A	N/A
YES	YES	YES	YES	YES	N/A
180 CFM	180 CFM	180 CFM	180 CFM	130 CFM Optional	260 CFM
OVERHEAD	OVERHEAD	OVERHEAD	OVERHEAD	SIDES	OVERHEAD
YES	YES	YES	YES	N/A	N/A
YES	YES	YES	YES	N/A	N/A
YES	YES	YES	YES	YES	YES
ONE	ONE	ONE	ONE	ONE	TWO

38-1/4"	44-3/4"	38-1/4"	44-3/4"	38-1/4"	53-3/4"
41"	42-3/4"	41"	42-3/4"	44"	59-1/4"
20-3/4"	22"	20-3/4"	22"	27"	29-1/4"
8"	8"	8"	8"	8"	8"
YES	YES	YES	YES	YES	YES
YES	YES	N/A	N/A	SIDE	N/A
205 lbs.	205 lbs.	205 lbs.	205 lbs.	310 lbs.	555 lbs.
864 sq. in.	864 sq. in.	864 sq. in.	864 sq. in.	1,728 sq. in.	1,554 sq. in.
40-3/4" - 48-3/4"	44-3/4" - 48-3/4"	40-3/4" - 48-3/4"	44-3/4" - 48-3/4"	38-1/4" - 48-3/4"	55"-57"

See your Authorized Fireplace Xtordinaire® dealer for details.

None	None	None	None	None	None
------	------	------	------	------	------

1,400 Sq. Ft.	1,400 Sq. Ft.	2,000 Sq. Ft.	2,000 Sq. Ft.	1,500 Sq. Ft.	3,000 Sq. Ft.
31,000 - 10,000	31,000 - 10,000	40,000 - 11,000	40,000 - 11,000	37,500 - 14,700	60,000 - 32,089
31,000 - 8,000	31,000 - 8,000	40,000 - 12,000	40,000 - 12,000	37,500 - 10,000	60,000 - 30,887
68% NG 75% LP	68% NG 75% LP	72% NG 70% LP	72% NG 70% LP	61% NG 73% LP	47% NG 49% LP
71.48% NG 71.02% LP	71.48% NG 71.02% LP	72.59% NG 74.19% LP	72.59% NG 74.19% LP	74.55% NG 73.99% LP	66.41% NG 67.50% LP
80.38% NG 81.21% LP	80.38% NG 81.21% LP	82.04% NG 83.93% LP	82.04% NG 83.92% LP	83.07% NG 85.92% LP	79.54% NG 81.19% LP
73.80% NG 73.50% LP	73.80% NG 73.50% LP	74.70% NG 75.90% LP	74.70% NG 75.90% LP	75.40% NG 72.90% LP	66.30% NG 67.70% LP

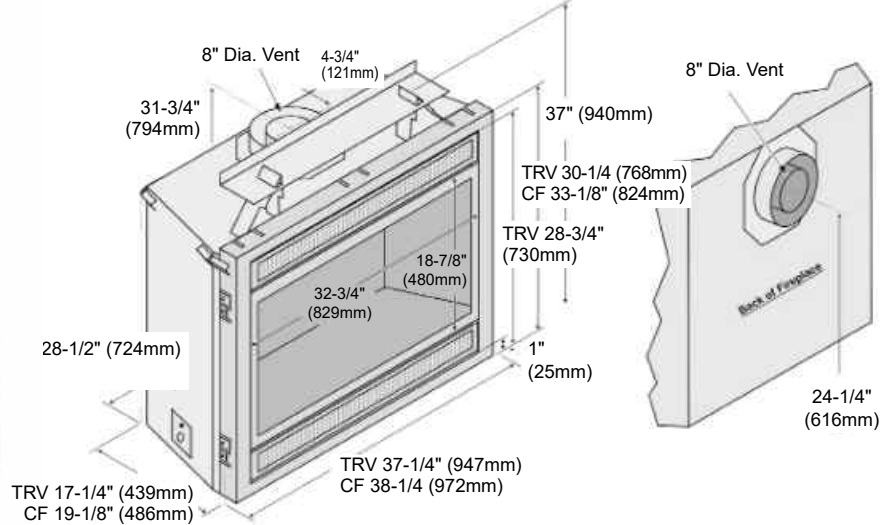
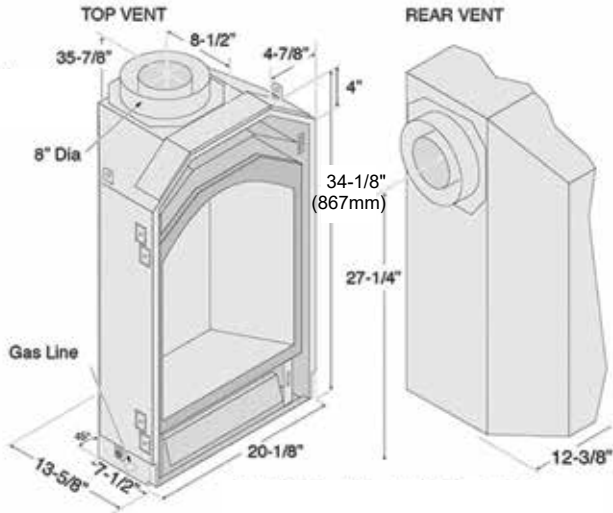
TESTING & INSTALLATION INFORMATION - Tested and Listed by OMNI-Test Laboratories, Inc. and/or Intertek Testing Service to ANSI Z21.88b-2016 "Vented Gas-Fired Direct Fireplace Heater", CSA 2.33-2016, CGA 2.17-M91, UL 307b and CSA P.4.1-15. Must be installed in accordance with all local codes, if any; if not, follow ANSI Z223.1 and requirements listed in the Owner's Manual. The Diagrams, Dimensions and Specifications shown are subject to change without notice, consult the Installation Manual for complete details.

Dimensions and Framing

FRAMING Always consult the Owner's Manual before beginning any installation. Installation and framing information is available at your

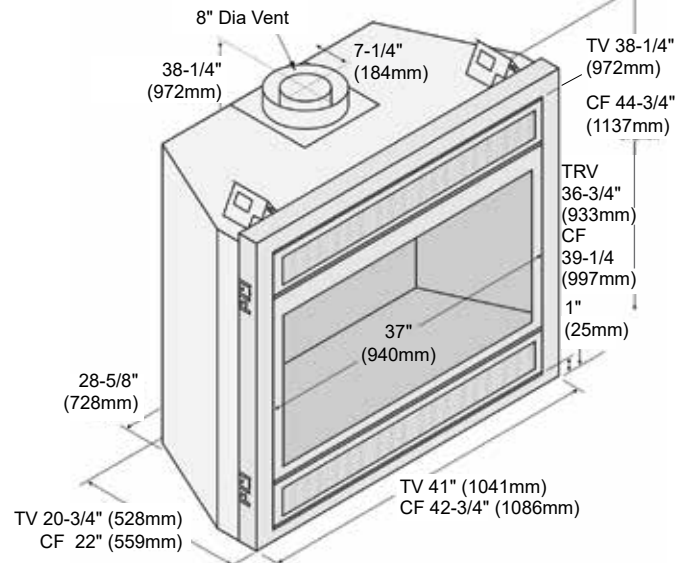
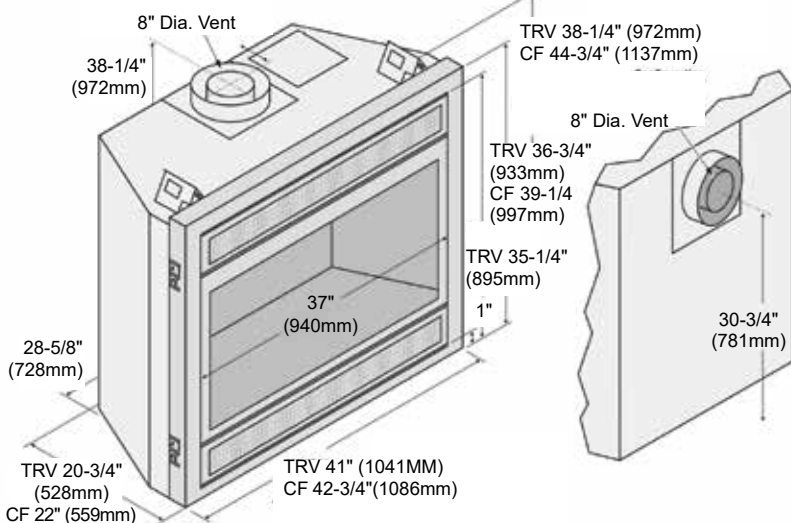
Bed & Breakfast TRV	Front Width		Back Width	
	Unit	Framing	Unit	Framing
	20-1/8"	20-1/4"	10-3/8"	20-1/4"
Height		Depth		
Unit	Framing	Unit	Framing	
34-1/8"	34-1/4"	13-5/8" TV 12-3/8" RV	14" TV 12-3/8" RV	

564 TRV 25K & 25K Clean Face	Front Width		Back Width	
	Unit	Framing	Unit	Framing
	37-1/4" TRV	37-3/4" TRV	28-1/2" TRV	37-3/4" TRV
38-1/4" CF	38-3/4" CF	28-1/2" CF	38-3/4" CF	
Height		Depth		
Unit	Framing	Unit	Framing	
37" TRV	37-1/4" TRV	17-1/4" TRV	17 1/2" TRV	
37" CF	37-1/4" CF	19-1/8" CF	19-3/8" CF	



864 TRV 31K & 31K Clean Face	Front Width		Back Width	
	Unit	Framing	Unit	Framing
	41" TRV	41-1/4" TRV	28-5/8" TRV	41-1/4" TRV
42-3/4" CF	43" CF	28-5/8" CF	43" CF	
Height		Depth		
Unit	Framing	Unit	Framing	
38-1/4" TRV	38-1/2" TRV	20-3/4" TRV	20-3/4" TRV	
44-3/4" CF	45" CF	22" CF	22-1/2" CF	

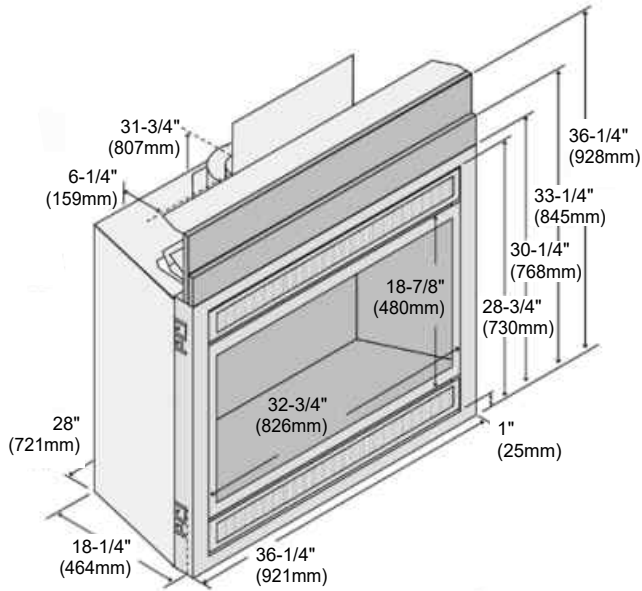
864 TV 40K & 40K Clean Face	Front Width		Back Width	
	Unit	Framing	Unit	Framing
	41" TV	41-1/4" TV	28-5/8" TV	41-1/4" TV
42-3/4" CF	43" CF	28-5/8" CF	43" CF	
Height		Depth		
Unit	Framing	Unit	Framing	
38-1/4" TV	38-1/2" TV	20-3/4" TV	20-3/4" TV	
44-3/4" CF	45" CF	22" CF	22-1/2" CF	



564
TV High Output

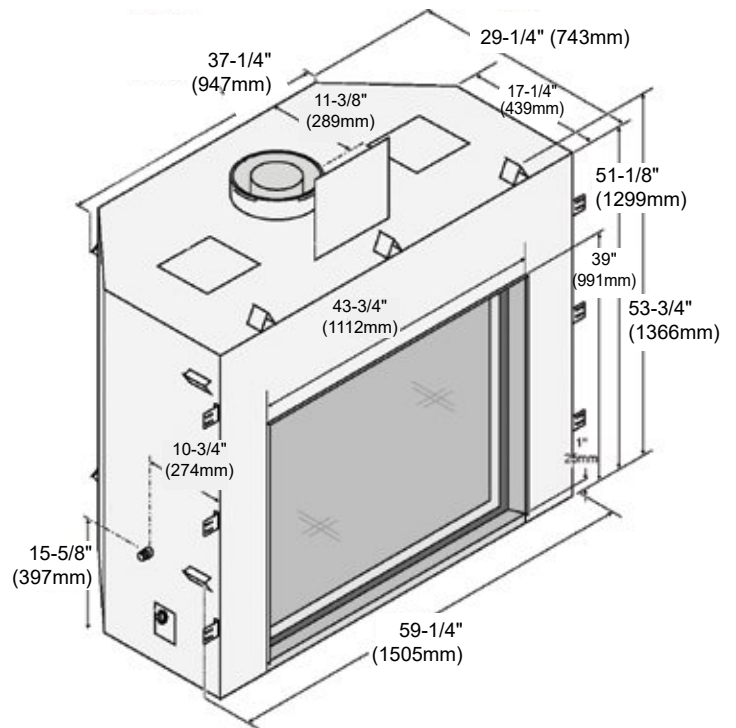
Front Width		Back Width	
Unit	Framing	Unit	Framing
36-1/4"	36-1/2"	28"	36-1/2"
Height		Depth	
Unit	Framing	Unit	Framing
36-1/4"	36-3/4"	18-1/4"	17 3/4"

Installation Manuals are available online at www.fireplacex.com under the Documents" tab for each model.



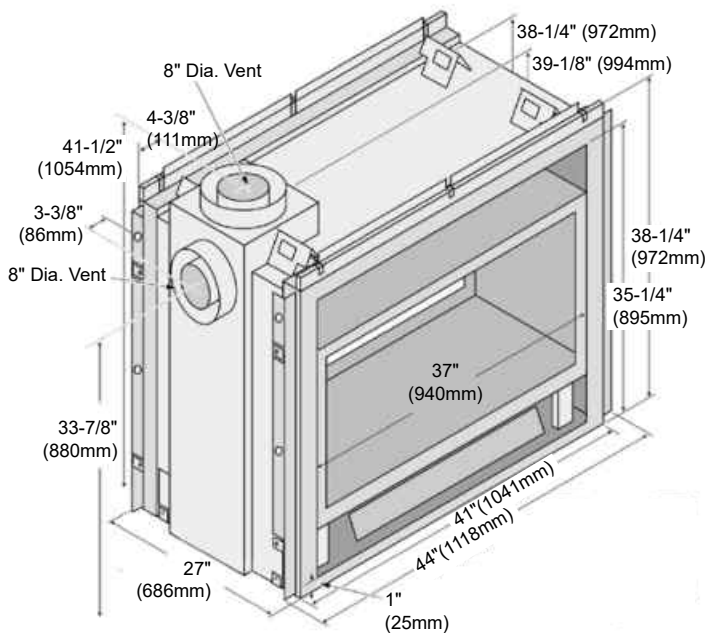
4237
TV

Front Width		Back Width	
Unit	Framing	Unit	Framing
59-1/4"	59-1/2"	37-1/4"	59-1/2"
Height		Depth	
Unit	Framing	Unit	Framing
53-3/4"	54"	29-1/4"	29-1/4" Flush 28-3/4" Std



864
TSV See-Thru

Front Width		Back Width	
Unit	Framing	Unit	Framing
44"	44"	44"	44"
Height		Depth	
Unit	Framing	Unit	Framing
38-1/4"	38-1/2"	27"	26"



Design Your Perfect Fire Online

Visit the www.fireplacex.com website. The Fireplace Xtrordinair® Fire Designer can help you customize your fireplace with an easy and fun website that helps you choose the right fireplace for the right space with the right look. You can even upload a photo of your room and overlay the fireplace of your choice to get a preview of your incredible new fire.



Professional Hearth Retailers

Only the most professional specialty hearth retailers are selected to sell Fireplace Xtrordinair® fireplaces. They represent our total commitment to exceptional products and excellent service. In addition, they have successfully completed special training programs in the proper selection, installation, and service of all Fireplace Xtrordinair® products.

Your professional Fireplace Xtrordinair® hearth dealers are experts who can advise you on everything from customizing the color of your appliance to selecting appropriate venting and chimney materials.

Additional Hearth Products

Fireplace Xtrordinair® produces a wide variety of quality wood, and gas appliances. Find your favorite fire today by visiting: www.FireplaceX.com.

Made In America

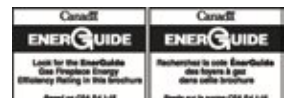


Our fireplaces are proudly manufactured in America at The House of Fire. If you're ever in the Seattle area, we invite you to take a free tour of The House of Fire world-class manufacturing plant. You will meet the artisans, engineers, craftsmen and craftswomen who design and hand build these fabulous fireplaces. Wear comfortable shoes, the factory is eleven acres indoors!



Manufactured by
T. I., Inc., Mukilteo, WA

See our complete line
of products online:
fireplacex.com



We reserve the right to change and improve our product at any time without prior notification. Please refer to the Owner's Installation Manual for complete installation requirements. Photos and illustrations are for descriptive purposes only. Fireplace Xtrordinair® Gas Fireplaces are protected by one or more of the following patents; U.S. 8,469,021, 7,066,170, 6,602,068, 6,443,726, 6,953,037; Canada 2755517 as well as other U.S. and Foreign Patents Pending.

Copyright ©3/2019

#98800860